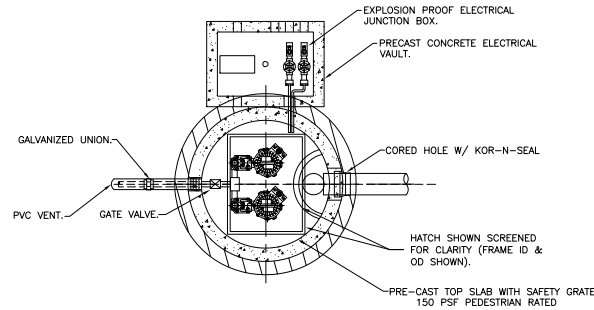


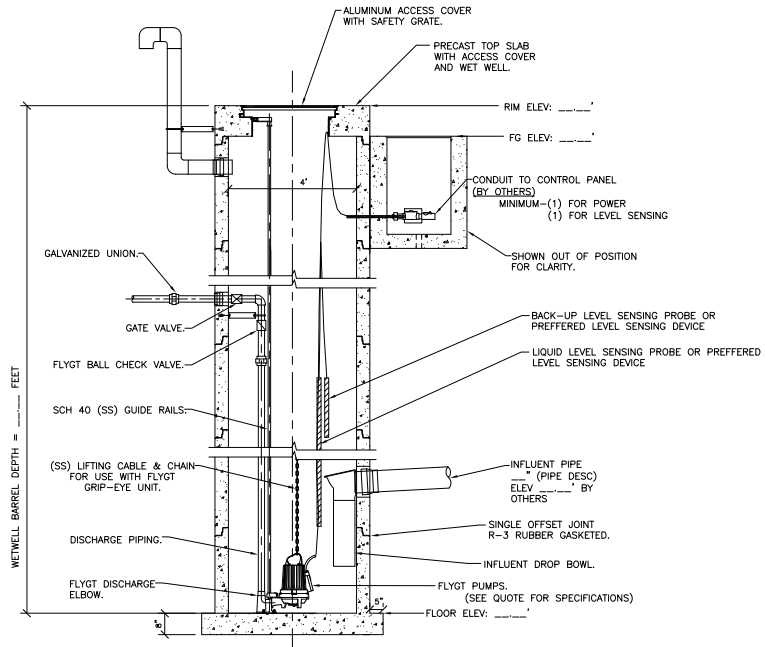
STANDARD INDUSTRIAL

DUPLEX- 4' GRINDER WET WELL

NOTE: WETWELL TOP SLAB IS PEDESTRIAN RATED.

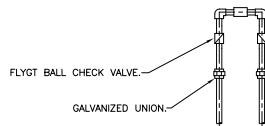


PLAN VIEW
N.T.S.



4' DIAMETER WETWELL

SECTIONAL VIEW
N.T.S.



<p>VERIFY SCALE SHALL BE ONE AND ONE EIGHTH (1 1/8") UNLESS OTHERWISE SPECIFIED IF ANY PART OF THE DRAWING IS TO BE REPRODUCED AT A DIFFERENT SCALE, THE REPRODUCED SCALE SHALL BE INDICATED THEREON.</p> <p>DATE: _____ DRN: _____ NO. _____</p>	<p>DESCRIPTION REVISIONS BY</p>
<p>ROMTEC UTILITIES 18240 NORTH BANK ROAD ROSEBURG, OR 97470 (541) 496-9678 FAX (541) 496-0804</p>	
<p>MEDIUM FLOW 2 - 3 INCH PRESSURE LINE 4' - SOLIDS HANDLING PUMP LIFT STATION DRAWING</p>	
<p>SHEET 1 OF 1 JOB NUMBER RMC 0000</p>	