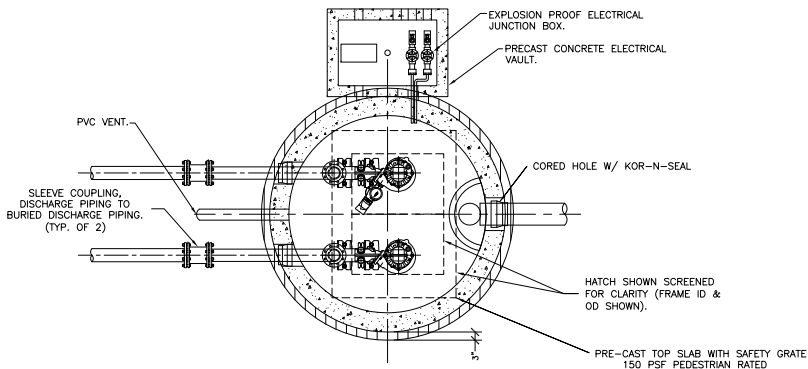


STANDARD WASTEWATER

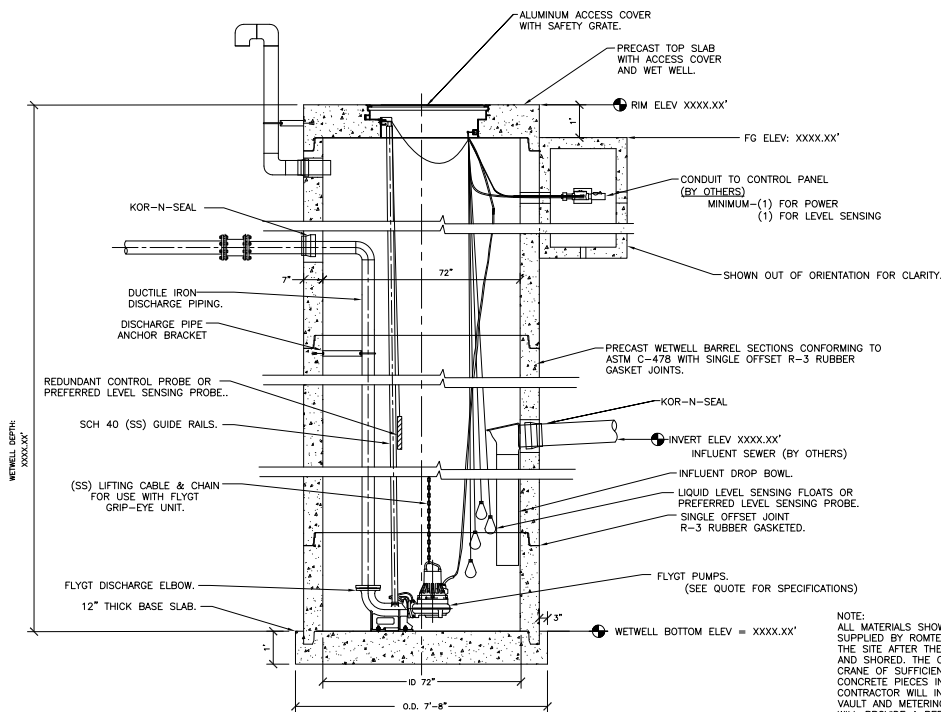
DUPLEX- 6' WET WELL

NOTE: WETWELL TOP SLAB IS PEDESTRIAN RATED.



PLAN VIEW

N.T.S.



6' DIAMETER WETWELL

SECTIONAL VIEW

N.T.S.

NOTE:
 ALL MATERIALS SHOWN ON THIS SHEET WILL BE SUPPLIED BY ROMTEC UTILITIES AND DELIVERED TO THE SITE AFTER THE HOLE HAS BEEN EXCAVATED AND SHORED. THE CONTRACTOR WILL SUPPLY A CRANE OF SUFFICIENT SIZE TO LOWER ALL THE CONCRETE PIECES INTO THE HOLE SAFELY. THE CONTRACTOR WILL INSTALL THE WET WELL, VALVE VAULT AND METERING VAULT. ROMTEC UTILITIES WILL PROVIDE A REPRESENTATIVE FOR TECHNICAL ASSISTANCE ON THE DAY OF INSTALLATION TO ANSWER ANY QUESTIONS THAT MAY ARISE. THE CONTRACTOR IS RESPONSIBLE FOR ALL PLUMBING AND ELECTRICAL CONNECTIONS AND INSTALLATION. ITEMS NOTED AS "(BY OTHERS)" WILL BE PROVIDED AND INSTALLED BY THE CONTRACTOR. ROMTEC UTILITIES WILL NOT INSTALL ANY OF THE COMPONENTS SHOWN ON THIS PAGE.

NO.	DATE	DESCRIPTION	BY
1			

VERIFY SCALE
 SHALL BE ONE AND ONE EIGHTH (1 1/8")
 UNLESS OTHERWISE SPECIFIED
 # FOR ALL DIMENSIONS UNLESS OTHERWISE SPECIFIED
 DRN. AD
 DATE NOV. 2007

ROMTEC UTILITIES
 18240 NORTH BANK ROAD
 ROSEBURG, OR 97470
 (541)-496-9678
 FAX (541)-496-0804

SMALL FLOW
 3 - 4 INCH FORCE MAIN
 6' - SOLIDS HANDLING PUMP
 LIFT STATION DRAWING

SHEET
 1 OF 1
 JOB NUMBER
 RMTc. 0000