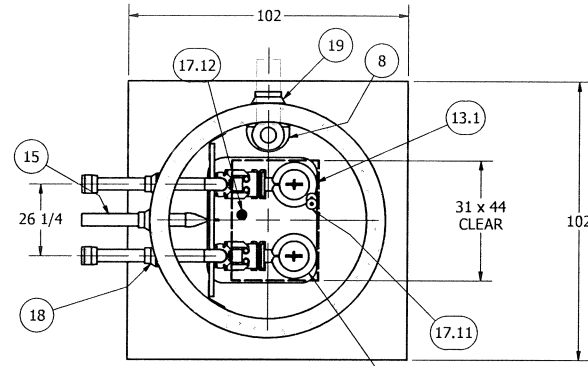


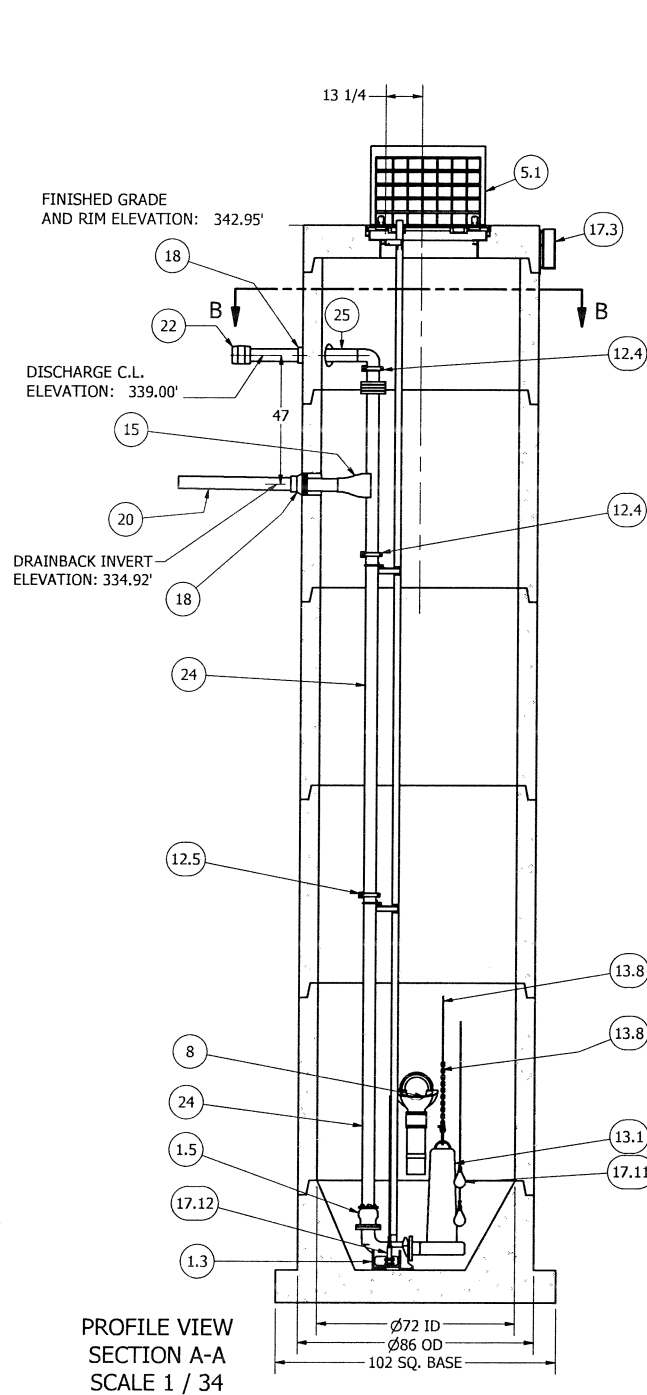
ISO VIEW
SCALE 1 / 48

6' DIAMETER WET WELL
4" DISCHARGE PIPING
SULZER XFP VX PUMPS
4" 687 VALVE VAULT
AS BUILT

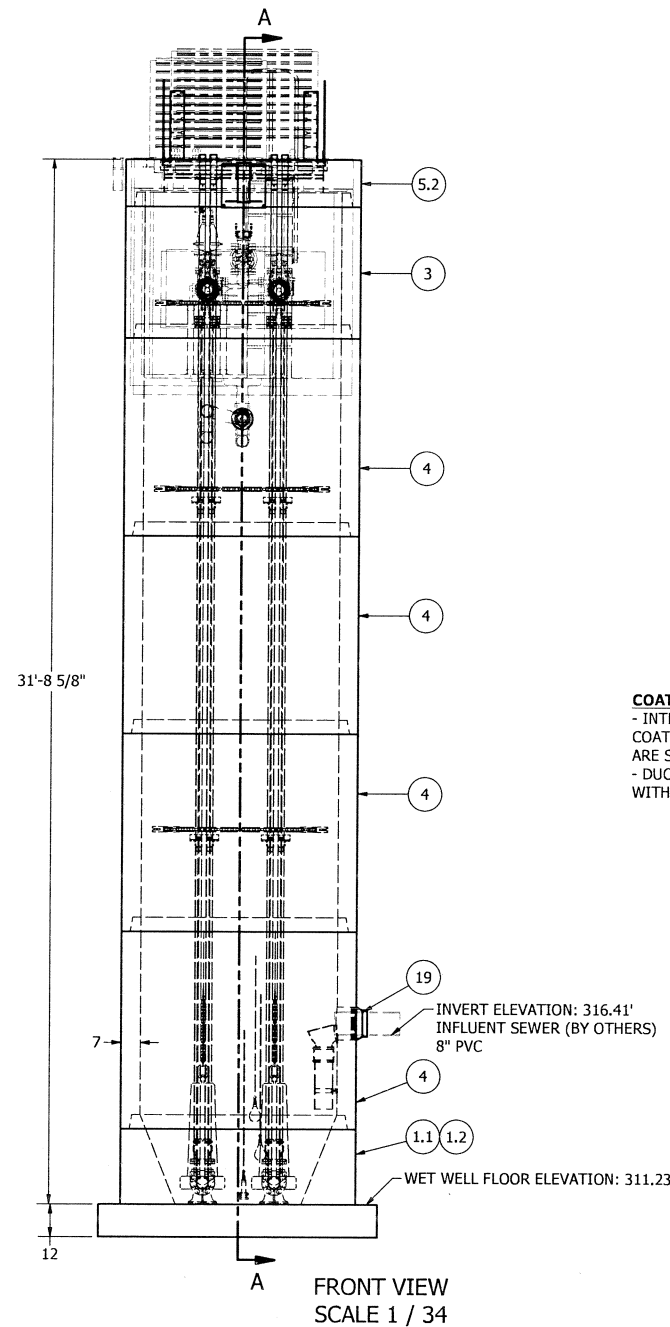
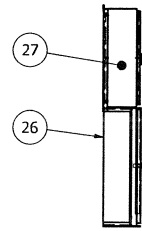
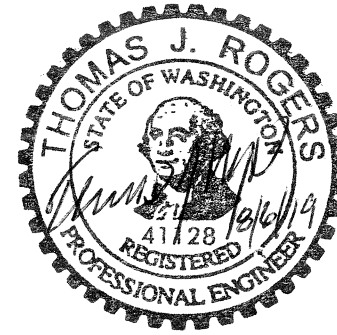


SECTION B-B
SCALE 1 / 34

NOTE: WET WELL TOP SLAB IS H-20 OCCASIONAL TRAFFIC RATED



PROFILE VIEW
SECTION A-A
SCALE 1 / 34



FRONT VIEW
SCALE 1 / 34

COATINGS:
- INTERIOR OF THE WET WELL SHALL BE COATED WITH TNEC 142 COATING. THIS COATING WILL BE FACTORY APPLIED TO ALL INSIDE SURFACES BEFORE THE PARTS ARE SHIPPED.
- DUCTILE IRON PIPING AND FITTINGS TO BE PROTECTO 401 LINED AND COATED WITH TNEC 61 EPOXY

SENSOR AND ELEVATION TABLE		
LEVEL ELEVATION	DISTANCE BETWEEN POINTS	SET POINT DESCRIPTION
316.41'		INVERT IN
---		BACK UP PUMPS START
		SENSOR SPACING
313.65'		BACK UP PUMPS STOP
		SENSOR SPACING
315.50		BACK UP HL ALARM
316.25'		HIGH LEVEL ALARM
	0.20'	SENSOR SPACING
316.05'		LAG PUMP START
	0.20'	SENSOR SPACING
315.85'		LEAD PUMP START
	1.10'	SENSOR SPACING
314.75'		PUMP STOP
	3.53'	DISTANCE TO FLOOR
311.23		FLOOR ELEVATION

NOTE: ALL DIMENSIONS AND ELEVATIONS SHOWN ARE NOMINAL DIMENSIONS. IT IS THE RESPONSIBILITY OF THE ON-SITE CONTRACTOR OR ROMTEC UTILITIES CUSTOMER (NOT ROMTEC UTILITIES) TO VERIFY THE ACCURACY OF ANY CRITICAL DIMENSIONS OR ELEVATIONS PRIOR TO SETTING OR INSTALLING ANY EQUIPMENT.

NOTE:
CONDUIT TO JUNCTION BOX (BY OTHERS)
CONDUIT TO CONTROL PANEL (BY OTHERS)
MINIMUM:
(2) FOR POWER
(1) FOR LEVEL SENSING

ALL MATERIALS SHOWN ON THIS SHEET WILL BE SUPPLIED BY ROMTEC UTILITIES AND DELIVERED TO THE SITE AFTER THE HOLE HAS BEEN EXCAVATED AND SHORED. THE CONTRACTOR SHALL SUPPLY A CRANE OF SUFFICIENT SIZE TO LOWER ALL THE CONCRETE PIECES INTO THE HOLE SAFELY. THE CONTRACTOR SHALL INSTALL THE WET WELL (AND VALVE VAULT AND METERING VAULT IF APPLICABLE). ROMTEC UTILITIES WILL PROVIDE A REPRESENTATIVE FOR TECHNICAL ASSISTANCE ON THE DAY OF INSTALLATION TO ANSWER ANY QUESTIONS THAT MAY ARISE. THE CONTRACTOR IS RESPONSIBLE FOR ALL PLUMBING AND ELECTRICAL CONNECTIONS AND INSTALLATION. ITEMS NOTED AS "BY OTHERS" WILL BE PROVIDED AND INSTALLED BY THE CONTRACTOR. ROMTEC UTILITIES WILL NOT INSTALL ANY OF THE COMPONENTS SHOWN ON THIS PAGE.

© 2017 ROMTEC INC. ALL RIGHTS RESERVED. THESE PLANS AND DRAWINGS MAY NOT BE REPRODUCED, ADAPTED, OR FURTHER DISTRIBUTED, AND NO COMPONENTS MAY BE CONSTRUCTED FROM THESE PLANS, WITHOUT WRITTEN PERMISSION OF ROMTEC, INC.

REV	DESCRIPTION	DATE	APPROV
11	AS BUILT, INFLUENT INVERT ADJUSTED	7-30-19	KB
10	CHANGED FLOWMETER TO 5100W	4-25-18	AD
9	PRODUCTION LAUNCH	3-9-18	KB
8	CHANGED BACKUP RING TO 30ASS	2-19-18	AD
7	REMOVED WATER PIPE FOR P-TRAP	2-9-18	KB
6	ADDED WATER PIPE FOR P-TRAP	12-22-17	AD
5	ADD NOTE FOR PIPE LINING/COATING	12-14-17	KB
4	REVISED PER 12-13-17 COMMENTS	12-14-17	AD
3	ADDED ABOVE GROUND J-BOX AND STAND	12-6-17	AD

VERIFY SCALE	DATE	REVISION HISTORY
BAR TO ONE INCH ON ORIGINAL DRAWING	5-31-17	
IF NOT ONE INCH ON SCALE ACCORDINGLY		
DSN - KEVIN BOGAN		
DRN - KEVIN BOGAN		
CKD -		

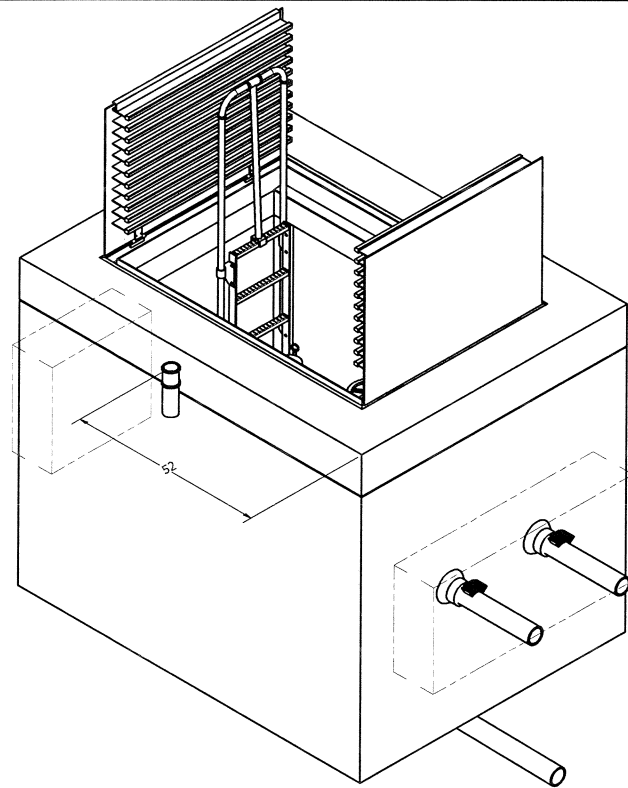
COMPONENT
DRAWING

ROMTEC UTILITIES
18240 NORTH BANK ROAD
ROSEBURG, OREGON 97470
(541) 496-9678
FAX (541) 496-0804

CEDAR HILL
WET WELL ASSEMBLY

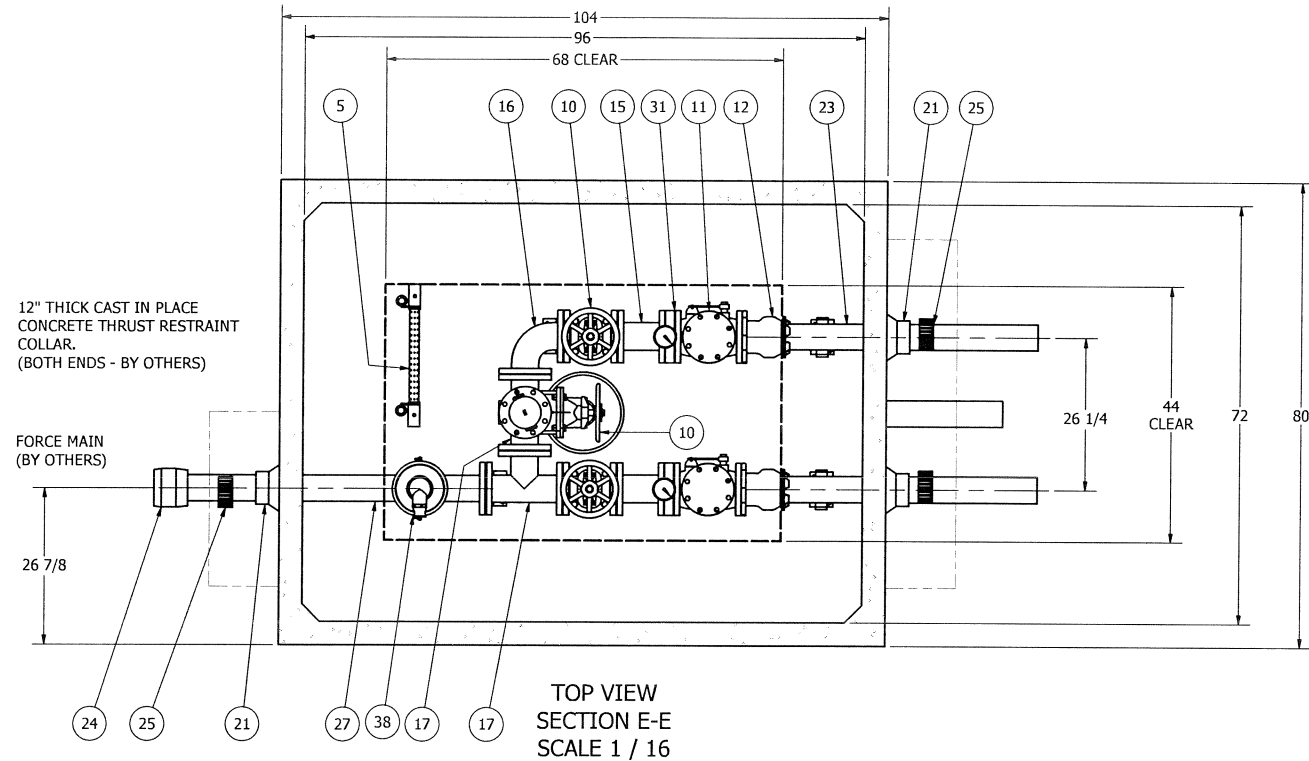
SHEET
1 OF 4

JOB NUMBER
RMT
0000

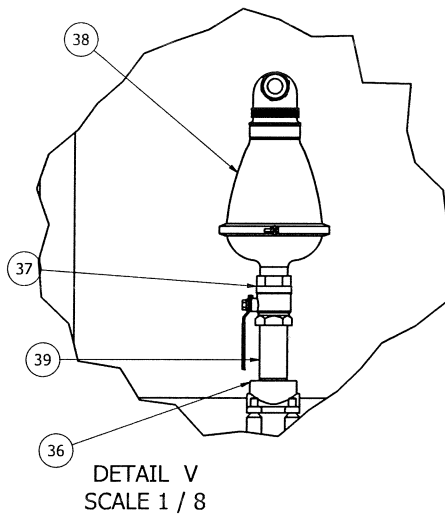


ISO VIEW
SCALE 1 / 20

687 VALVE VAULT
4" PIPING AND VALVES
W/ PUMPING PORT



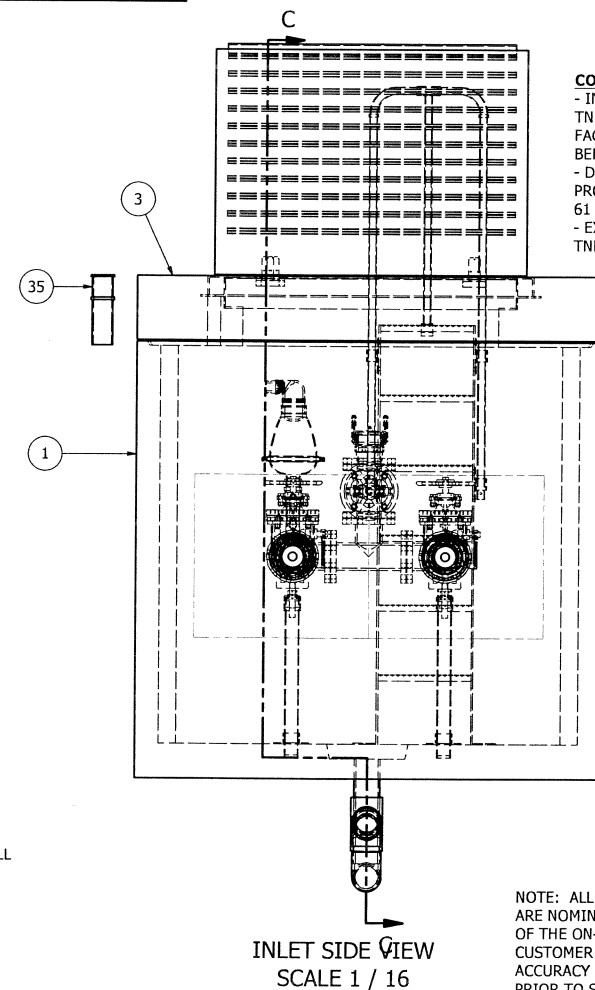
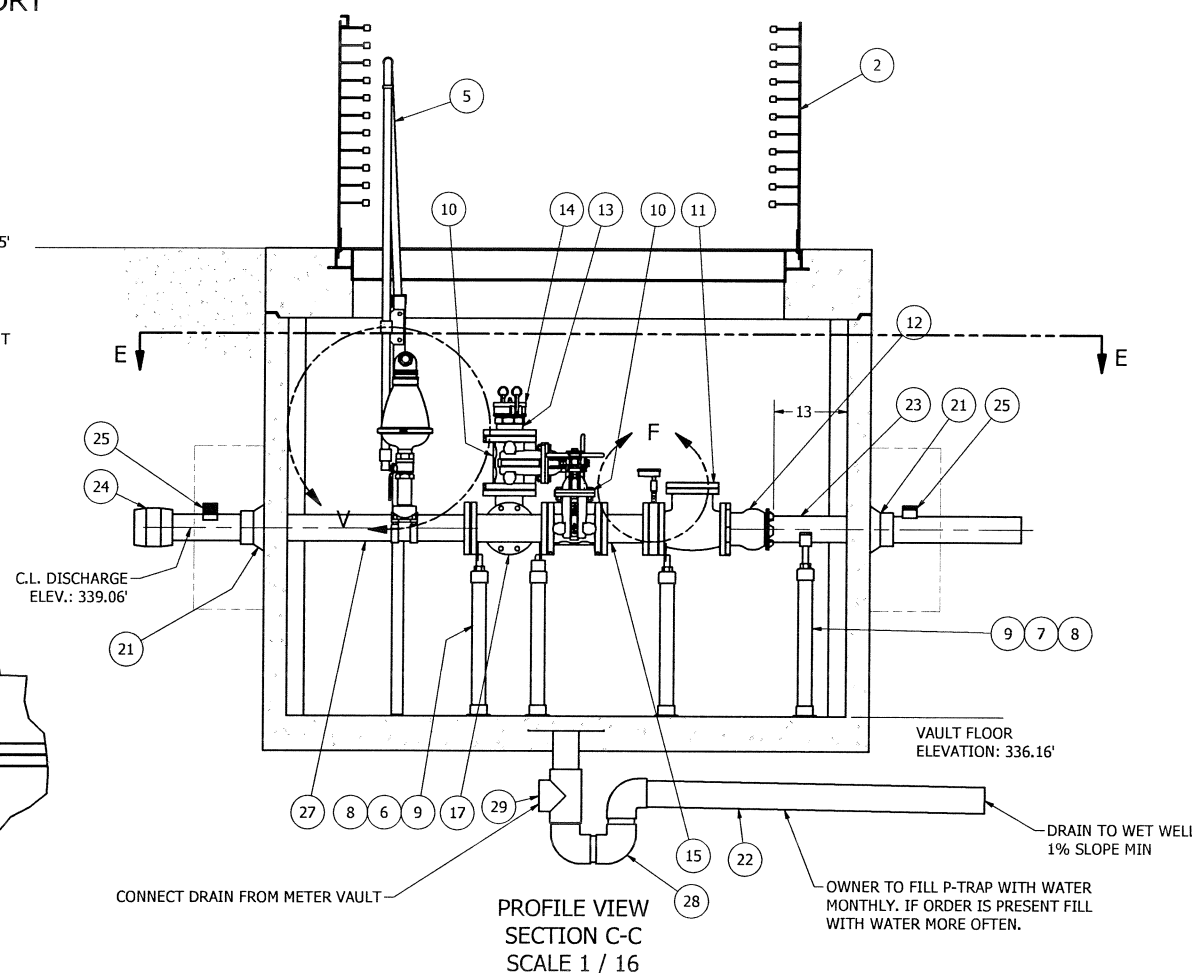
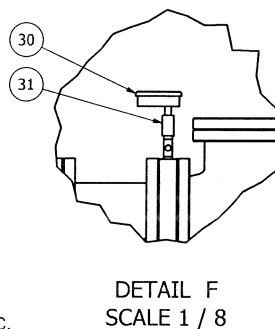
NOTE: VAULT TOP SLAB IS H-20 OCCASIONAL RATED



FINISHED GRADE
AND RIM ELEVATION: 342.95'

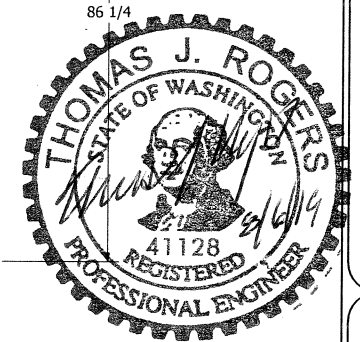
12" THICK CAST IN PLACE
CONCRETE THRUST RESTRAINT
COLLAR.
(BOTH ENDS - BY OTHERS)

FORCE MAIN
(BY OTHERS)



AS BUILT

COATINGS:
- INTERIOR OF THE VAULT SHALL BE COATED WITH
TNEPEC 142 COATING. THIS COATING WILL BE
FACTORY APPLIED TO ALL INSIDE SURFACES
BEFORE THE PARTS ARE SHIPPED.
- DUCTILE IRON PIPING AND FITTINGS TO BE
PROTECTO 401 LINED AND COATED WITH TNEPEC
61 EPOXY
- EXTERIOR COATING OF THE VALVE VAULT WITH
TNEPEC 161HS



ALL MATERIALS SHOWN ON THIS SHEET WILL BE SUPPLIED BY ROMTEC UTILITIES AND DELIVERED TO THE SITE AFTER THE HOLE HAS BEEN EXCAVATED AND SHORED. THE CONTRACTOR SHALL SUPPLY A CRANE OF SUFFICIENT SIZE TO LOWER ALL THE CONCRETE PIECES INTO THE HOLE SAFELY. THE CONTRACTOR SHALL INSTALL THE WET WELL (AND VALVE VAULT AND METERING VAULT IF APPLICABLE). ROMTEC UTILITIES WILL PROVIDE A REPRESENTATIVE FOR TECHNICAL ASSISTANCE ON THE DAY OF INSTALLATION TO ANSWER ANY QUESTIONS THAT MAY ARISE. THE CONTRACTOR IS RESPONSIBLE FOR ALL PLUMBING AND ELECTRICAL CONNECTIONS AND INSTALLATION. ITEMS NOTED AS "BY OTHERS" WILL BE PROVIDED AND INSTALLED BY THE CONTRACTOR. ROMTEC UTILITIES WILL NOT INSTALL ANY OF THE COMPONENTS SHOWN ON THIS PAGE.

© 2017 ROMTEC INC. ALL RIGHTS RESERVED. THESE PLANS AND DRAWINGS MAY NOT BE REPRODUCED, ADAPTED, OR FURTHER DISTRIBUTED, AND NO COMPONENTS MAY BE CONSTRUCTED FROM THESE PLANS, WITHOUT WRITTEN PERMISSION OF ROMTEC, INC.

NOTE: ALL DIMENSIONS AND ELEVATIONS SHOWN ARE NOMINAL DIMENSIONS. IT IS THE RESPONSIBILITY OF THE ON-SITE CONTRACTOR OR ROMTEC UTILITIES CUSTOMER (NOT ROMTEC UTILITIES) TO VERIFY THE ACCURACY OF ANY CRITICAL DIMENSIONS OR ELEVATIONS PRIOR TO SETTING OR INSTALLING ANY EQUIPMENT.

REV	DESCRIPTION	DATE	APPROV
10	ADDED ARV	10/3/2018	AD
9	CHANGED HATCH TO HAVE SAFETY GRATE	7/23/2018	AD
8	CORRECTED VAULT DIMENSION	5/25/2018	KB
7	ADDED CRANE BASE	5/17/2018	KB
6	PRODUCTION LAUNCH	4/25/2018	KB
5	FIXED HIDE DESCRIPTIONS	3/29/2018	AD
4	CHANGED BACK UP RINGS TO 304SS	3/22/2018	AD
3	ADDED P-TRAP	2/19/2018	AD
2	ISO RINGS AND PIPE COATING NOTES	12-22-17	KB
1	DESCRIPTION		

VERIFY SCALE
BAR IS ONE INCH ON
ORIGINAL DRAWING
0 1"

IF NOT ONE INCH ON
SCALE ACCORDING
TO ORIGINAL DRAWING
SCALE ACCORDING
TO ORIGINAL DRAWING

DSN - KEVIN BOGAN
DRN - KEVIN BOGAN
CKD -
DATE - 5-31-17

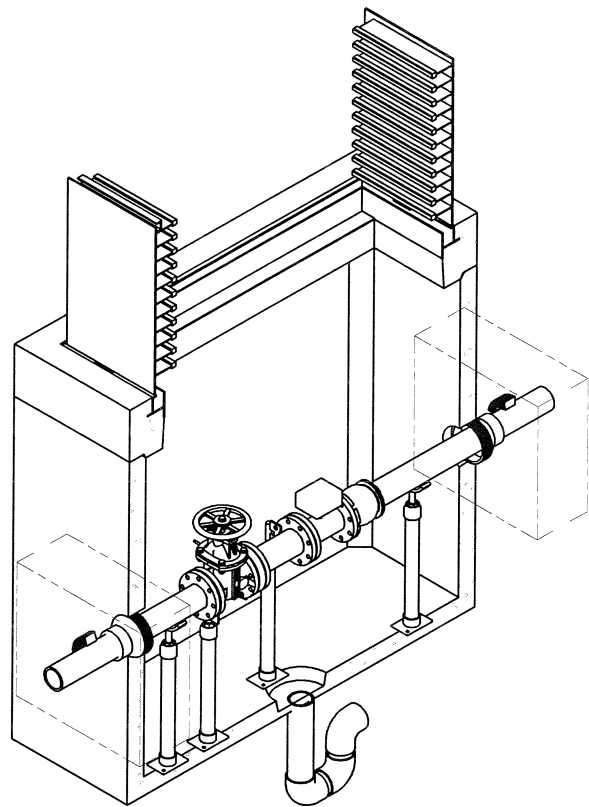
**COMPONENT
DRAWING**

**ROMTEC
UTILITIES**
18240 NORTH BANK ROAD
ROSEBURG, OREGON 97470
(541) 496-9678
FAX (541) 496-0804

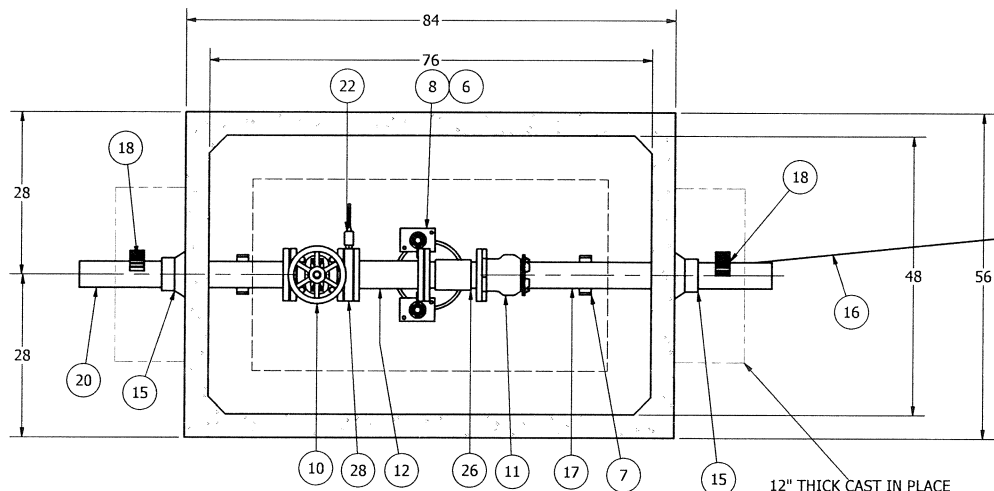
**CEDAR HILL
VALVE VAULT ASSEMBLY**

SHEET
2 OF 4

JOB NUMBER
**RMTC
0000**

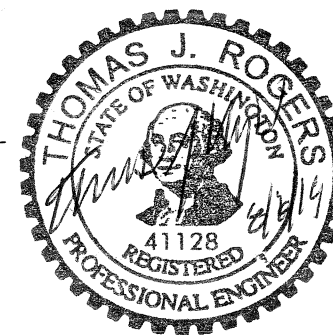


577 VALVE VAULT
4" PIPING AND VALVES
WITH PRESSURE TRANSDUCER

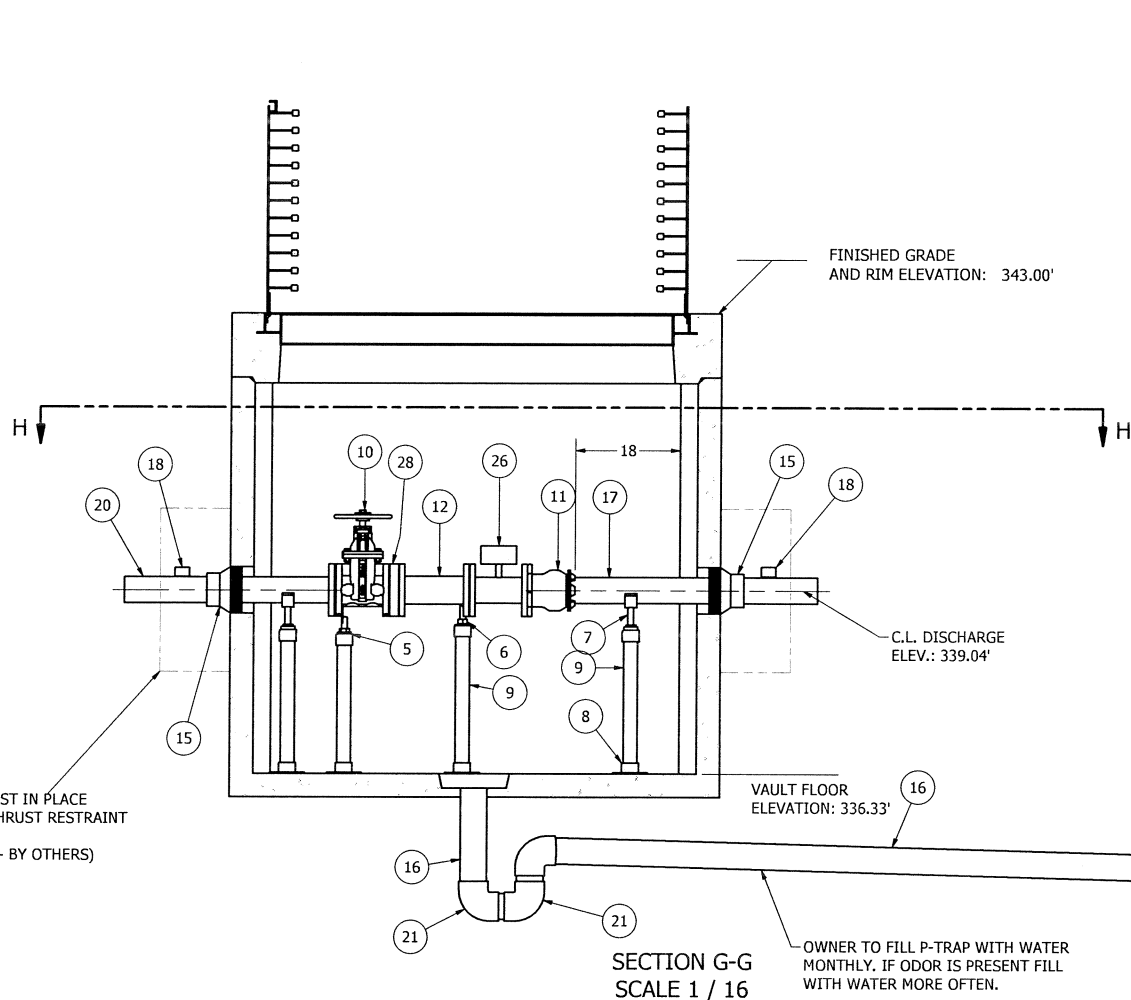


SECTION H-H
SCALE 1 / 16

12" THICK CAST IN PLACE
CONCRETE THRUST RESTRAINT
COLLAR.
(BOTH ENDS - BY OTHERS)



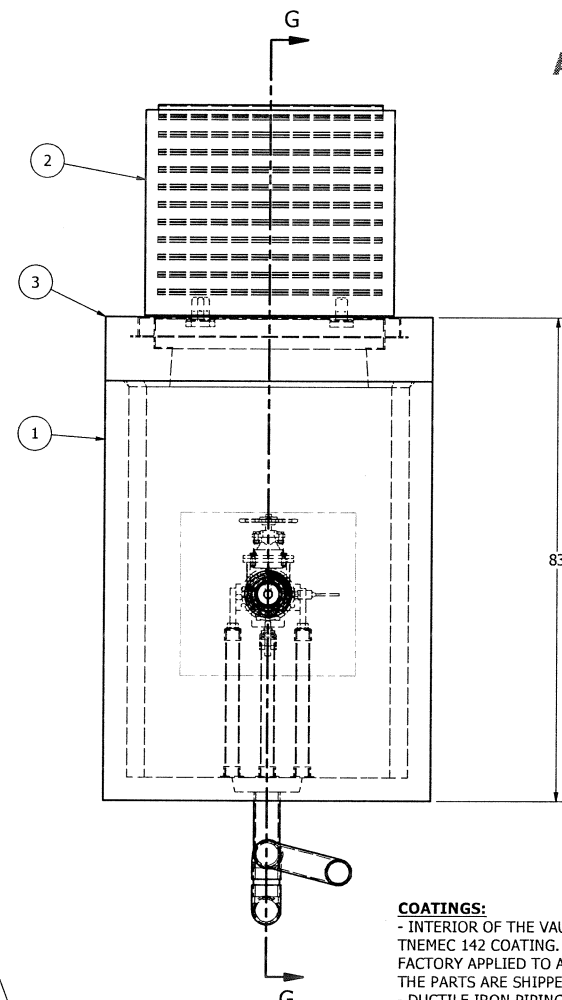
NOTE: VAULT TOP SLAB IS H-20 OCCASIONAL RATED



SECTION G-G
SCALE 1 / 16

OWNER TO FILL P-TRAP WITH WATER
MONTHLY, IF ODOR IS PRESENT FILL
WITH WATER MORE OFTEN.

DRAIN TO WET WELL
(CONNECTS AT VALVE VAULT DRAIN)
1% SLOPE MINIMUM



AS BUILT

ALL MATERIALS SHOWN ON THIS SHEET WILL BE SUPPLIED BY ROMTEC UTILITIES AND DELIVERED TO THE SITE AFTER THE HOLE HAS BEEN EXCAVATED AND SHORED. THE CONTRACTOR SHALL SUPPLY A CRANE OF SUFFICIENT SIZE TO LOWER ALL THE CONCRETE PIECES INTO THE HOLE SAFELY. THE CONTRACTOR SHALL INSTALL THE WET WELL (AND VALVE VAULT AND METERING VAULT IF APPLICABLE). ROMTEC UTILITIES WILL PROVIDE A REPRESENTATIVE FOR TECHNICAL ASSISTANCE ON THE DAY OF INSTALLATION TO ANSWER ANY QUESTIONS THAT MAY ARISE. THE CONTRACTOR IS RESPONSIBLE FOR ALL PLUMBING AND ELECTRICAL CONNECTIONS AND INSTALLATION. ITEMS NOTED AS "BY OTHERS" WILL BE PROVIDED AND INSTALLED BY THE CONTRACTOR. ROMTEC UTILITIES WILL NOT INSTALL ANY OF THE COMPONENTS SHOWN ON THIS PAGE.

© 2017 ROMTEC INC. ALL RIGHTS RESERVED. THESE PLANS AND DRAWINGS MAY NOT BE REPRODUCED, ADAPTED, OR FURTHER DISTRIBUTED, AND NO COMPONENTS MAY BE CONSTRUCTED FROM THESE PLANS, WITHOUT WRITTEN PERMISSION OF ROMTEC, INC.

REV	DESCRIPTION	DATE	APPROV
11	AS BUILT, INFLUENT INVERT ADJUSTED	7/30/2019	KB
10	CHANGED FLOWTUBE TO 5100W	6/29/2018	AD
9	PRODUCTION LAUNCH	3/13/2018	KB
8	CHANGED BACKUP RING TO 304SS	3/7/2018	AD
7	REMOVED WATER PIPE FOR P-TRAP	2/19/2018	AD
6	ADDED WATER PIPE FOR P-TRAP	2/19/2018	AD
5	ADD NOTE FOR PIPE LINING/COATING	12/22/2017	KB
4	REVISED PER 12-13-17 COMMENTS	12/14/2017	AD
3	ADDED ABOVE GROUND T-BOX AND STAND	12/16/2017	AD
REV			

VERIFY SCALE	1"
BAR IS ONE INCH ON ORIGINAL DRAWING	
IF NOT ONE INCH ON SCALE ACCURACIES	
DSN - AD	
DRN - AD	
CKD - AD	
DATE - 10-4-17	

COMPONENT
DRAWING

ROMTEC UTILITIES
18240 NORTH BANK ROAD
ROSEBURG, OREGON 97470
(541) 496-9678
FAX (541) 496-0804

CEDAR HILL
METER VAULT ASSEMBLY

SHEET
3 OF 4

JOB NUMBER
RMT
0000

COATINGS:
- INTERIOR OF THE VAULT SHALL BE COATED WITH TNEC 142 COATING. THIS COATING WILL BE FACTORY APPLIED TO ALL INSIDE SURFACES BEFORE THE PARTS ARE SHIPPED.
- DUCTILE IRON PIPING AND FITTINGS TO BE PROTECTO 401 LINED AND COATED WITH TNEC 61 EPOXY
- EXTERIOR COATING ON THE METER VAULT WITH TNEC 161HS.