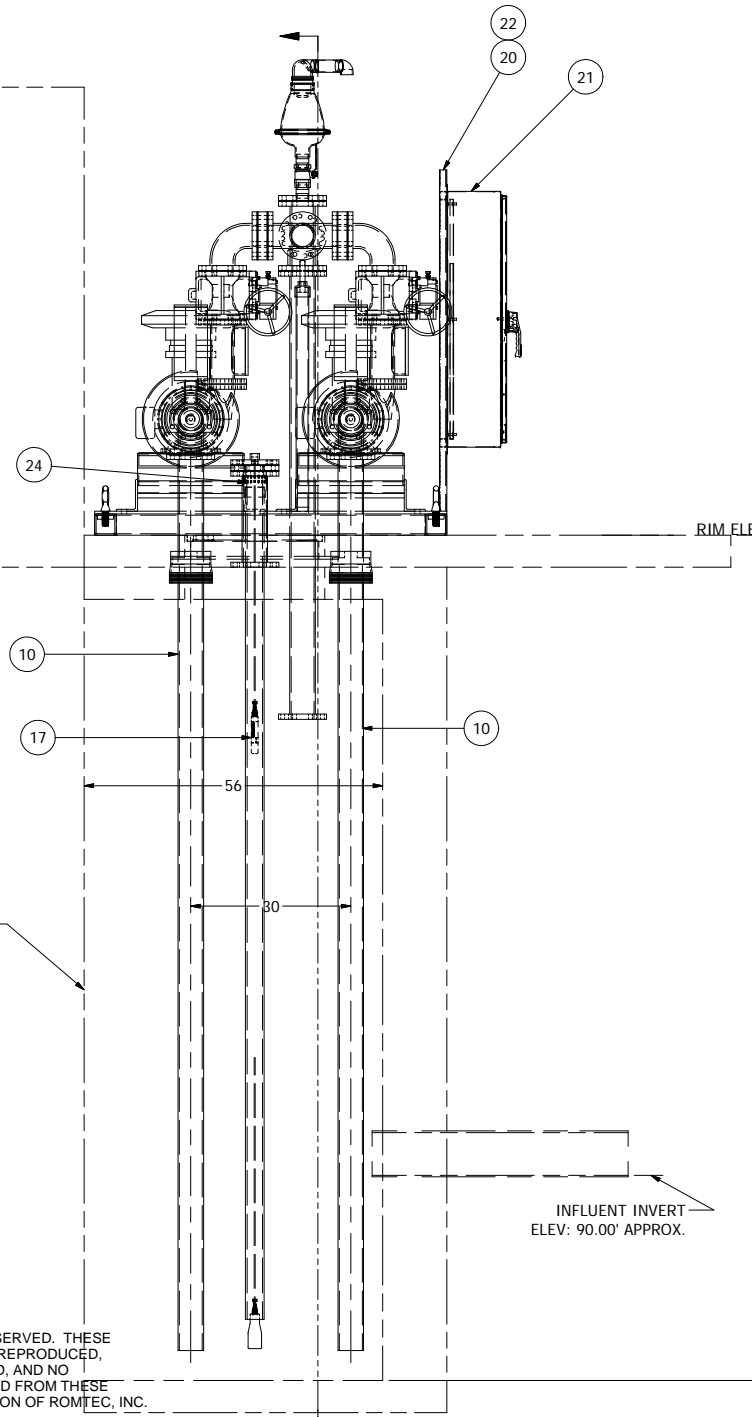
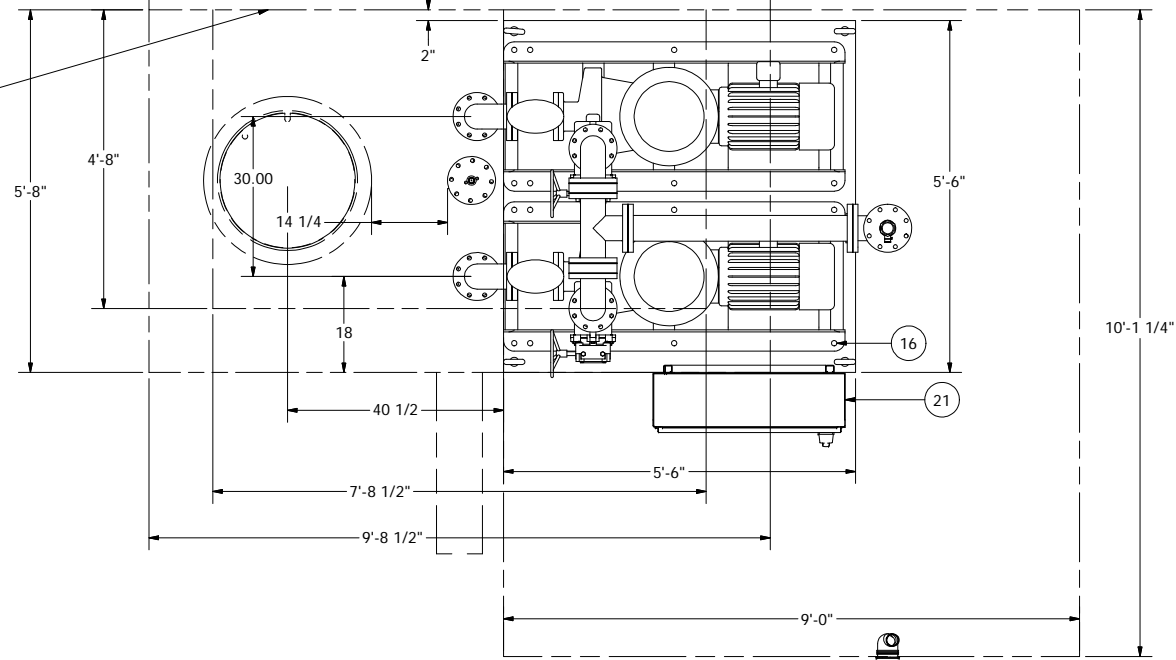


WALL OF EXISTING BUILDING

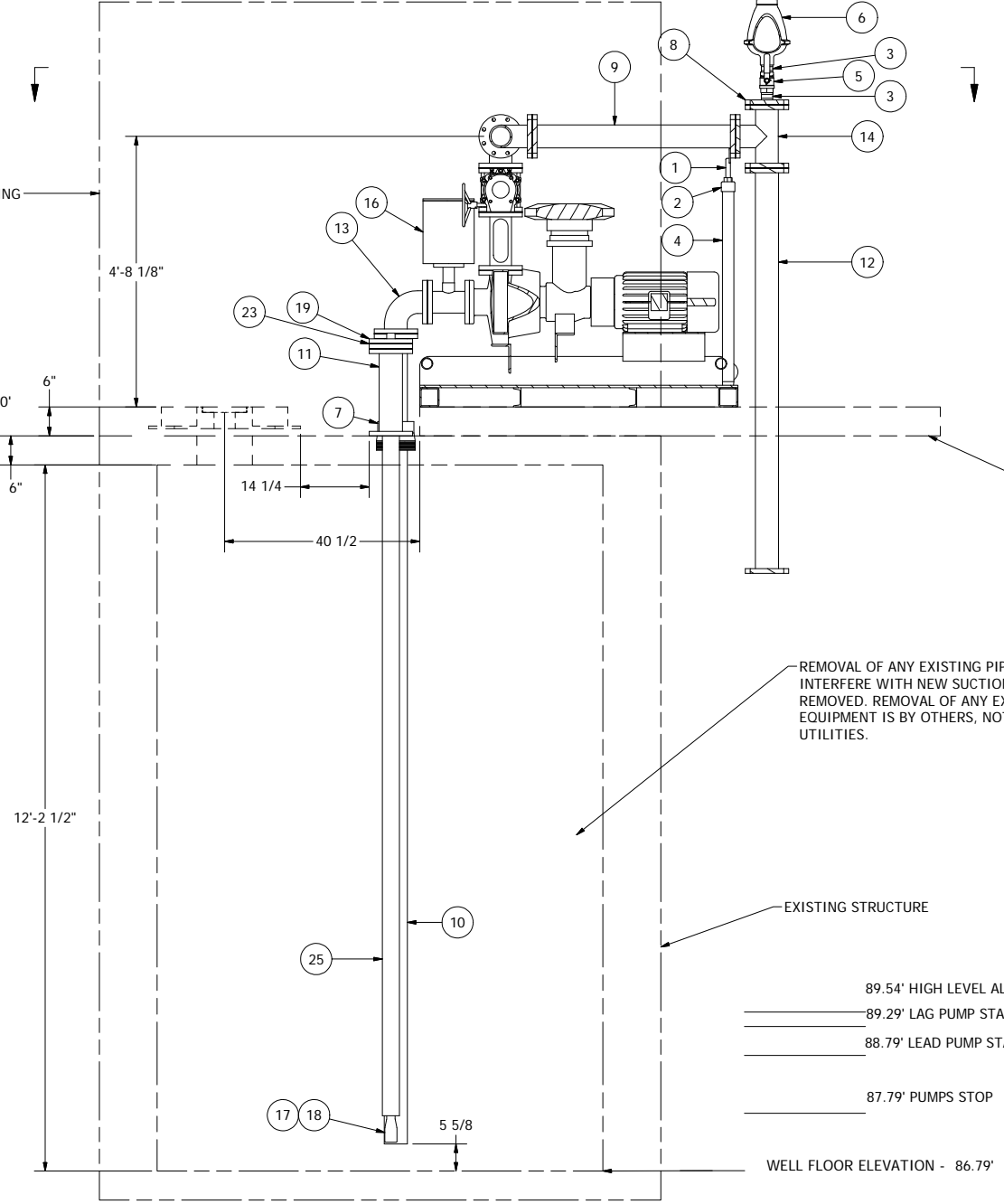
ROMTEC UTILITIES HAS NOT BEEN GIVEN THE ACTUAL SITE ELEVATIONS ABOVE SEA LEVEL. SO 100.00' AT THE RIM OF THE WET WELL WAS USED AS A BASE ELEVATION.



EXISTING BUILDING

RIM ELEVATION - 100.00'

12'-2 1/2"



EXISTING EARTH TO BE REMOVED AND A CONCRETE SLAB TO REPLACE DIRT. SEE NOTES.

REMOVAL OF ANY EXISTING PIPING THAT MIGHT INTERFERE WITH NEW SUCTION PIPES MUST BE REMOVED. REMOVAL OF ANY EXISTING EQUIPMENT IS BY OTHERS, NOT ROMTEC UTILITIES.

EXISTING STRUCTURE

- 89.54' HIGH LEVEL ALARM
- 89.29' LAG PUMP START
- 88.79' LEAD PUMP START
- 87.79' PUMPS STOP

WELL FLOOR ELEVATION - 86.79'

© 2012 ROMTEC INC. ALL RIGHTS RESERVED. THESE PLANS AND DRAWINGS MAY NOT BE REPRODUCED, ADAPTED, OR FURTHER DISTRIBUTED, AND NO COMPONENTS MAY BE CONSTRUCTED FROM THESE PLANS, WITHOUT WRITTEN PERMISSION OF ROMTEC, INC.

REV	DESCRIPTION	DATE	APPROV
4	CHANGES FOR PRODUCTION LAUNCH	5-29-12	AD
3	REVISED CONCRETE PAD DIMENSIONS	5-8-12	AD
2	CHANGED CONCRETE PAD NOTES	2-29-12	AD
1	COMPONENT DRAWING	2-15-12	AD

VERIFY SCALE
BAR IS ONE INCH ON ORIGINAL DRAWING
1"
IF NOT ONE INCH ON THIS SHEET ADJUST SCALES PROPORTIONALLY

DSN - AD
DRN - AD
CKD - AD
DATE - 2-15-12

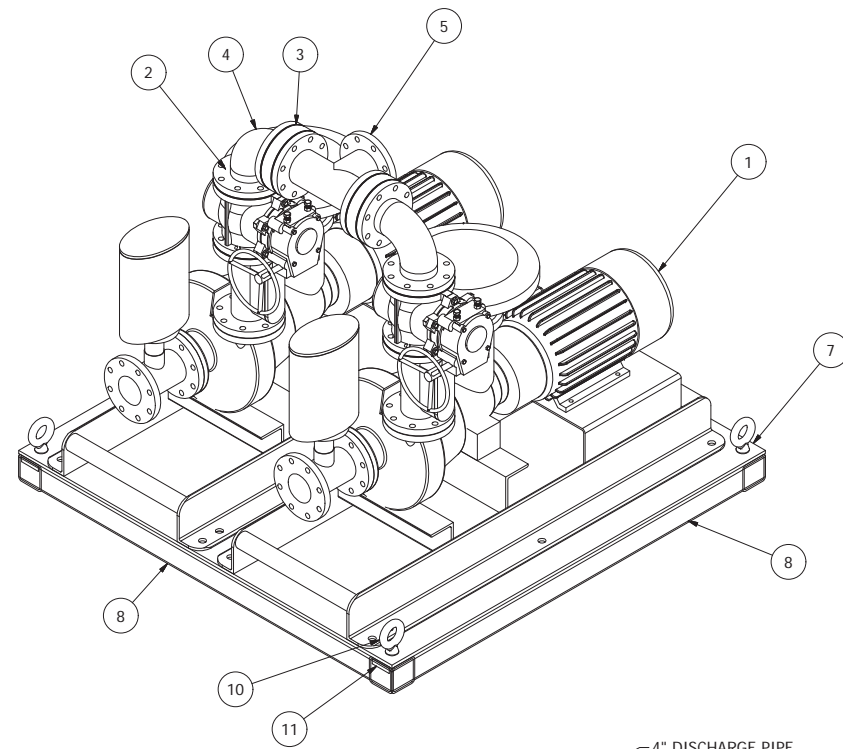
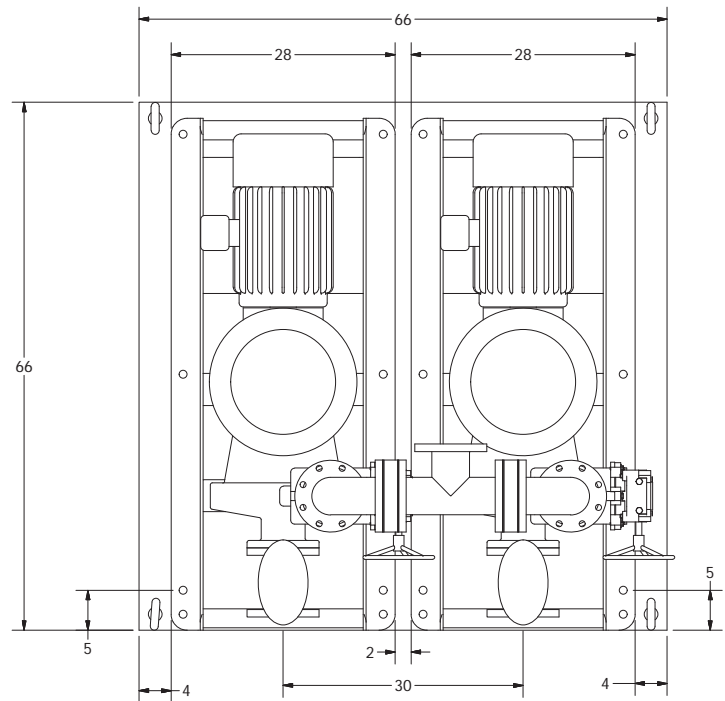
COMPONENT DRAWING

ROMTEC UTILITIES
18240 NORTH BANK ROAD
ROSEBURG, OREGON 97470
(541) 496-9678
FAX (541) 496-0804

MILAN PRISON
ARKONA ROAD - RETROFIT
PUMP SKID

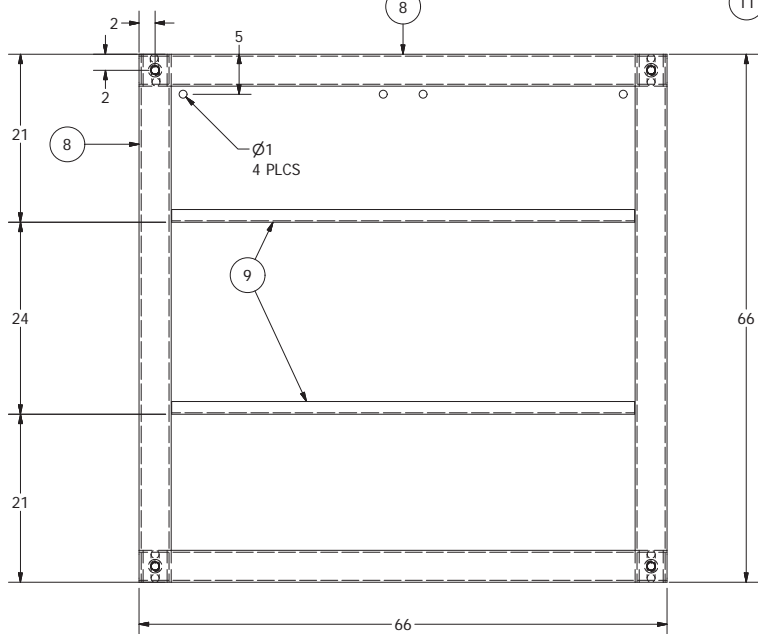
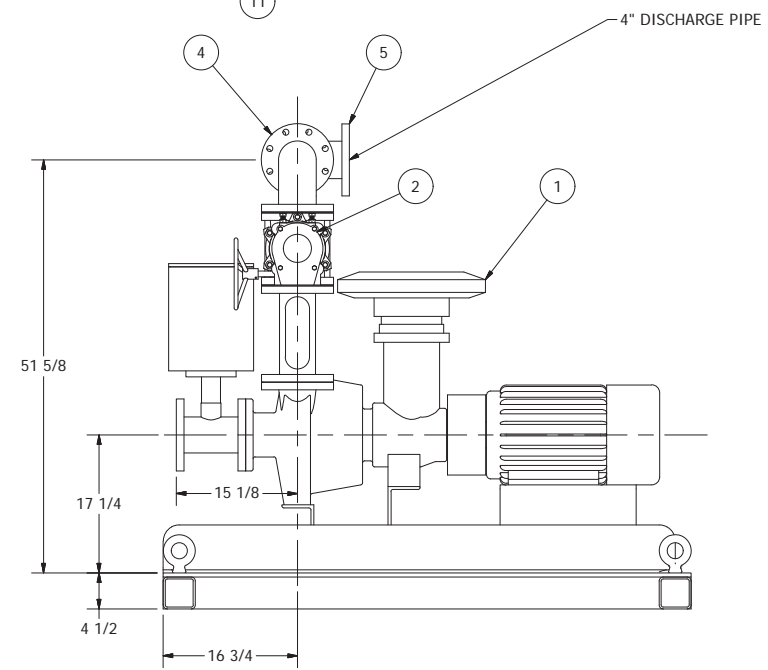
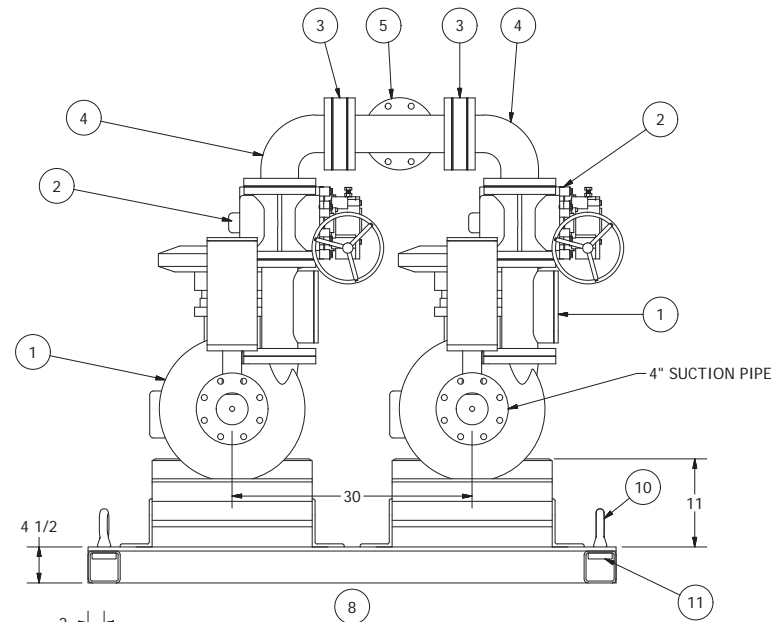
SHEET
1 OF 2

JOB NUMBER
RMTC
0000



NOTES:

STEEL PUMP SKID TO BE PAINTED BLACK



10HP PIONEER SELF PRIME PUMPS
4" SUCTION, 4" DISCHARGE

VERIFY SCALE
BAR IS ONE INCH ON ORIGINAL DRAWING
1"

0 IF NOT ONE INCH ON THIS SHEET, ADJUST SIZES PROPORTIONALLY

DSN - AD	REV	DATE	DESCRIPTION
DRN - AD	1	2-15-12	COMPONENT DRAWING
CKD - AD	1	2-15-12	COMPONENT DRAWING
ADD - AD	2	5-29-12	CHANGES FOR PRODUCTION
REV	3	5-31-12	ADDED EYE BOLT DETAIL

REVISION HISTORY

COMPONENT DRAWING

ROMTEC UTILITIES
18240 NORTH BANK ROAD
ROSEBURG, OREGON 97470
(541) 496-9678
FAX (541) 496-0804

MILAN PRISON
ARKONA ROAD - RETROFIT
PUMP SKID

SHEET
2 OF 2

JOB NUMBER
RMTC
0000