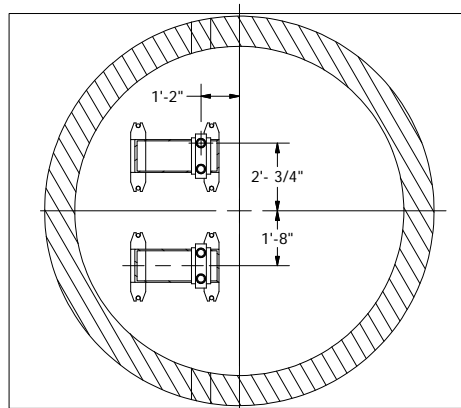
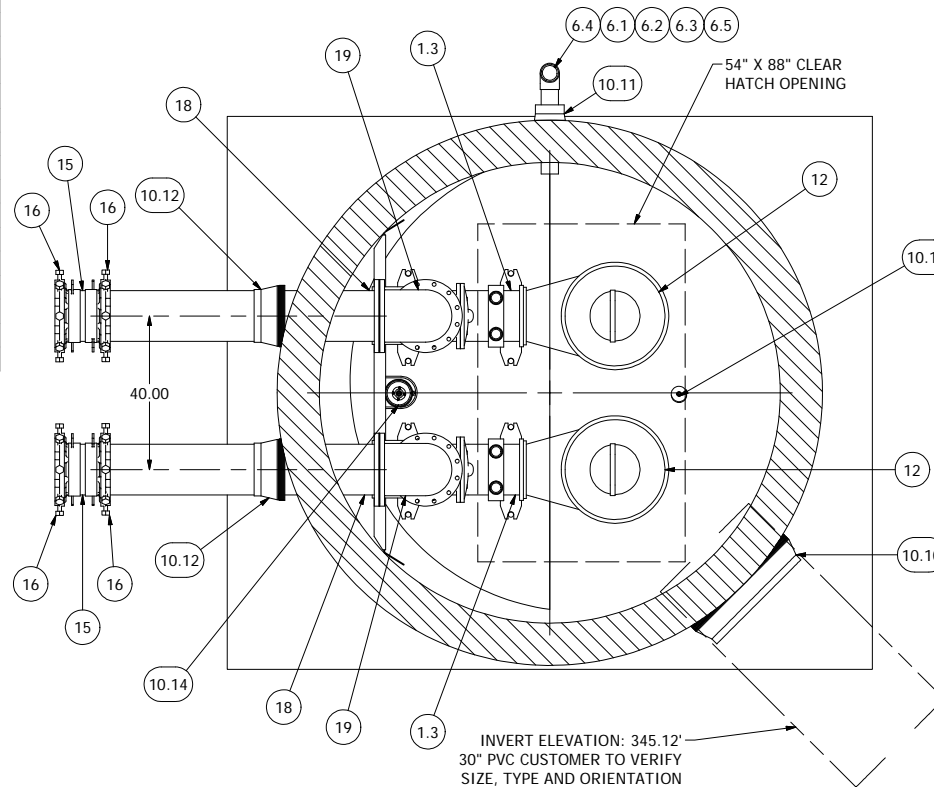


SENSOR AND ELEVATION TABLE		
LEVEL ELEVATION	DISTANCE BETWEEN POINTS	SET POINT DESCRIPTION
345.12		INVERT IN
349.80		BACK UP PUMPS START
	1.00	SENSOR SPACING
348.80		BACK UP PUMPS STOP
	0.00	SENSOR SPACING
348.30		BACK UP HL ALARM
348.80		HIGH LEVEL ALARM
	0.45	SENSOR SPACING
348.35		LAG PUMP START
	1.95	SENSOR SPACING
346.40		LEAD PUMP START
	3.00	SENSOR SPACING
343.40		PUMP STOP
	3.00	DISTANCE TO FLOOR
340.40		FLOOR ELEVATION

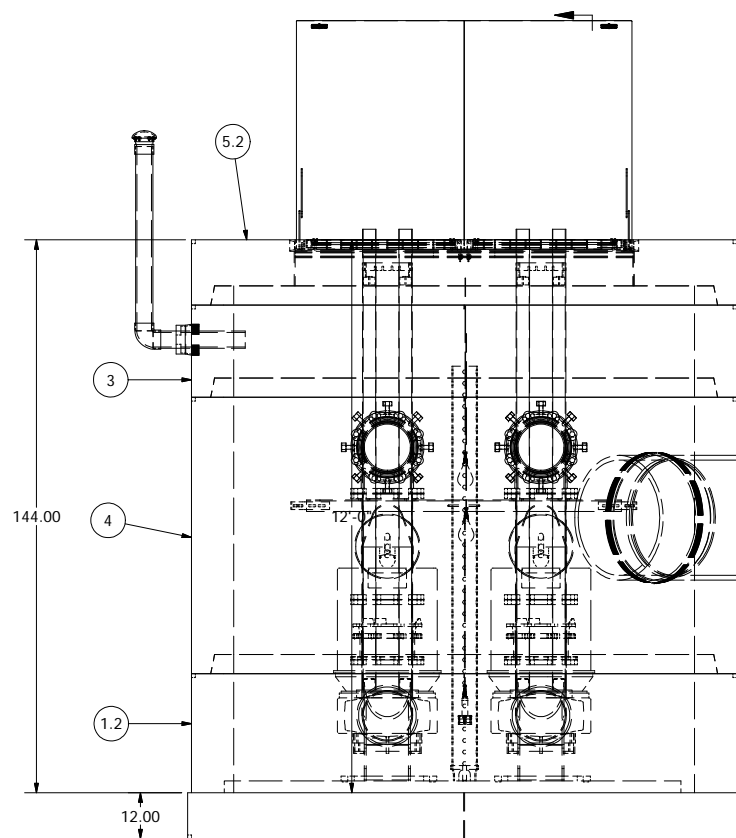


ANCHOR BOLT DETAIL

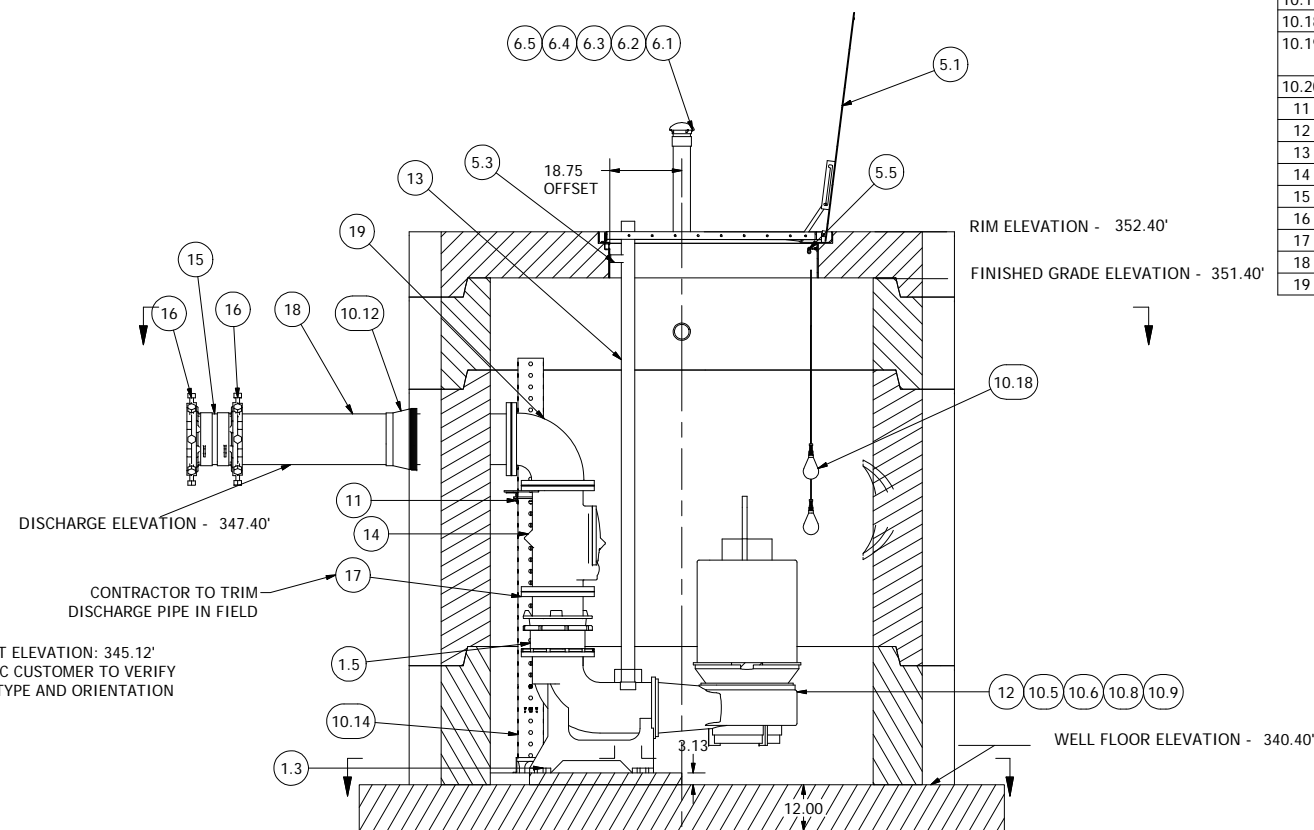


INVERT ELEVATION: 345.12'
30\"/>

NOTE: WET WELL TOP SLAB IS PEDESTRIAN RATED



INVERT ELEVATION: 345.12'
30\"/>



NOTE: ALL DIMENSIONS AND ELEVATIONS SHOWN ARE NOMINAL DIMENSIONS. IT IS THE RESPONSIBILITY OF THE ON-SITE CONTRACTOR OR ROMTEC UTILITIES CUSTOMER (NOT ROMTEC UTILITIES) TO VERIFY THE ACCURACY OF ANY CRITICAL DIMENSIONS OR ELEVATIONS PRIOR TO SETTING OR INSTALLING ANY EQUIPMENT.

**10' DIAMETER WET WELL
12\"/>**

ALL MATERIALS SHOWN ON THIS SHEET WILL BE SUPPLIED BY ROMTEC UTILITIES AND DELIVERED TO THE SITE AFTER THE HOLE HAS BEEN EXCAVATED AND SHORED. THE CONTRACTOR SHALL SUPPLY A CRANE OF SUFFICIENT SIZE TO LOWER ALL THE CONCRETE PIECES INTO THE HOLE SAFELY. THE CONTRACTOR SHALL INSTALL THE WET WELL (AND VALVE VAULT AND METERING VAULT IF APPLICABLE). ROMTEC UTILITIES WILL PROVIDE A REPRESENTATIVE FOR TECHNICAL ASSISTANCE ON THE DAY OF INSTALLATION TO ANSWER ANY QUESTIONS THAT MAY ARISE. THE CONTRACTOR IS RESPONSIBLE FOR ALL PLUMBING AND ELECTRICAL CONNECTIONS AND INSTALLATION. ITEMS NOTED AS "BY OTHERS" WILL BE PROVIDED AND INSTALLED BY THE CONTRACTOR. ROMTEC UTILITIES WILL NOT INSTALL ANY OF THE COMPONENTS SHOWN ON THIS PAGE.

Parts List			
ITEM	QTY	STOCK NUMBER	DESCRIPTION
1	1	10-XXXX	BASE ASSEMBLY
1.1	2	31-6040	ANCHOR KIT - DISCHARGE ELBOW
1.2	1	10-5168	BASE - WW - 10ft - RU FLAT BASE - 12ft X 14ft
1.3	2	31-4872	DISCHARGE ELBOW - 12in - EBARA - LL300U
1.4	1	10-5199	PUMP SHELF - 10ft X 3.125in
1.5	2	42-5257	COUPLING - ROMAC - RFCA - 12in FBEC
3	1	12-5902	BARREL - 10ft DIA X 2ft H
4	1	12-5906	BARREL - 10ft DIA X 6ft H
5	1	14-XXXX	TOP SLAB ASSEMBLY
5.1	1	13-5328	HATCH - WW - 10ft PED - DUPLEX - 55788 - 54 x 88
5.2	1	14-5387	TOP SLAB - WW - 10ft PED - DUPLEX
5.3	2	18-4057	UGBB - 3in - EBARA
5.4	2	18-6031	BOLT & NUT KIT - UPPER GUIDE BAR BRACKET - 3-8in
5.5	2	18-6115	CABLE HANGER ASSEMBLY
6	1	18-5157	4 INCH PVC VENT
6.1	1	18-5427	VENT - MUSHROOM CAP
6.2	1	48-5455	ADAPTOR - 4in SCH80 - MALE THD X SLIP
6.3	1	48-5464	4in PVC - SCH 80 X 24in
6.4	1	48-6264	4 INCH PVC - SCH 80 X 48in
6.5	1	48-6266	ELBOW - PVC - 4in SCH 80 - 90 DEGREE - SLIP X SLIP
7	2	18-6009	DISCHARGE PIPE SUPPORT - WALL BRACKET SET
8	4	18-FAST	DISCHARGE CLAMP BOLT - 1-2 X 1 SS BOLT, WASHER, FIBER LOCK NUT
9	2	18-FAST	DISCHARGE PIPE SUPPORT - BOLT KIT
10	1	18-XXXX	SHIPPING CRATE
10.1	3	12-ROM	BARREL GASKET
10.2	1	18-4874	STILLING WELL SUPPORT BRACKET - STAINLESS
10.3	4	18-6020	LIFTING CLUTCH - 8 TON
10.4	2	32-4643	CORD GRIP - .46 - .56 SS
10.5	2	32-5506	LINK - .62in - OBLONG WELDED CORROSION RES - EBARA PUMPS
10.6	2	32-5943	BOW SHACKLE - 1-2in - SS W-SCREW PIN
10.7	4	32-5999	CHAIN - S5 5-16in 316SS (2 @ 2FT)
10.8	2	32-6065	CORD GRIP - 1.000in - 1.240 DIA SS
10.9	2	32-6354	LIFTING SLING - .125in SS CABLE (2 @ 12 FT)
10.10	1	43-4194	KOR-N-SEAL - 34in X 30in IPS PIPE
10.11	1	43-5186	KOR-N-SEAL - 8in CORE -1.70 THRU 4.80 PIPE
10.12	2	43-5193	KOR-N-SEAL - 16in CORE - 12in PIPE
10.13	6	47-5267	GASKET - FLANGE - 12in X 1/8in
10.14	1	48-XXXX	6\"/>
10.15	112	51-5949	TAPECOAT - 6in X .65mils X LFT
10.16	130	51-6081	SEALANT - 1in X 1in X 14.5ft CS-202
10.17	1	51-ROM	NEVER SIEZE - TUBE
10.18	2	60-4574	FLOAT - NOLTA - MS1 - 20m
10.19	1	60-4896	PRESSURE TRANSDUCER - 4-20 ma - 5 PSI - CL1 DIV1 - 50ft CABLE
10.20	1	62-4561	BRACKET - TRANSDUCER - HANGING
11	1	18-XXXX	DISCHARGE PIPE BRACKET - 16in
12	2	30-5500	PUMP - EBARA - 300DLFU630 - 40HP
13	40	40-4128	PIPE - 304SS - 3in SCH10 (4@ 10 FT)
14	2	41-4173	VALVE - SWING CHECK - 12in - SG BUSTER
15	2	42-4767	SLEEVE - 12 IN - STAR - SOLID DI SHORT
16	4	42-5314	ROMAGRIP ACCESSORY PACK - 12in DI MJ
17	2	45-5319	SPOOL - FLG X PE - 12in X 30in - DI
18	2	45-5321	SPOOL - FLG X PE - 12in X 72in - DI
19	2	46-5266	ELBOW - DI - 12in - 90 DEG - FLG X FLG

REV	DESCRIPTION	DATE	APPROV
2	REVISED BASE TO HAVE 3ft RISE	3-10-14	AD
1	PER LAUNCH MEETING	2-26-14	NVA
1	PER COMMENT LOG	9-16-13	NVA
1	DESCRIPTION		

VERIFY SCALE
BAR IS ONE INCH ON ORIGINAL DRAWING
1"
IF NOT ONE INCH ON THIS SHEET, ADJUST SCALES PROPORTIONALLY
0

DSN - NG
DRN - NG
CKD - AD
DATE - 8/13/13

COMPONENT DRAWING

18240 NORTH BANK ROAD
ROSEBURG, OREGON 97470
(541) 496-9678
FAX (541) 496-0804

INDIAN SPRINGS SW
10' WET WELL - 12" DISCHARGE

© 2013 ROMTEC INC. ALL RIGHTS RESERVED. THESE PLANS AND DRAWINGS MAY NOT BE REPRODUCED, ADAPTED, OR FURTHER DISTRIBUTED, AND NO COMPONENTS MAY BE CONSTRUCTED FROM THESE PLANS, WITHOUT WRITTEN PERMISSION OF ROMTEC, INC.