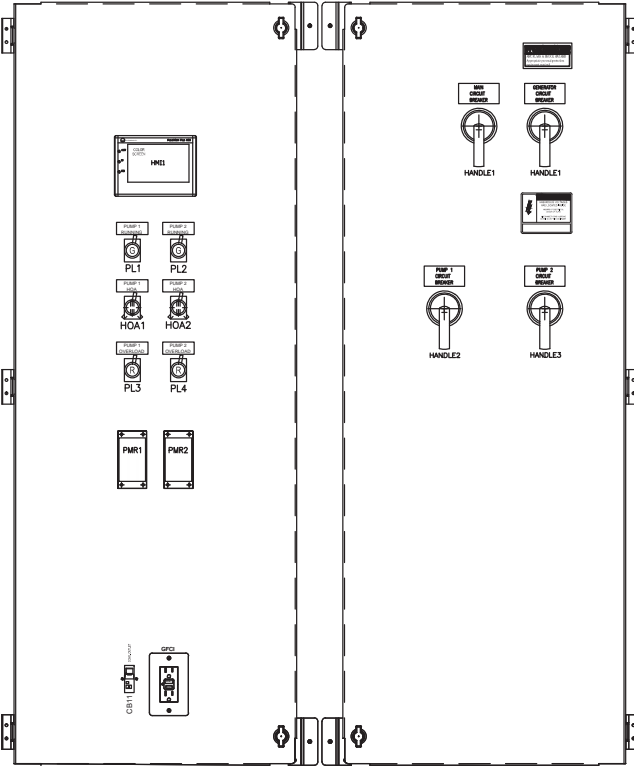
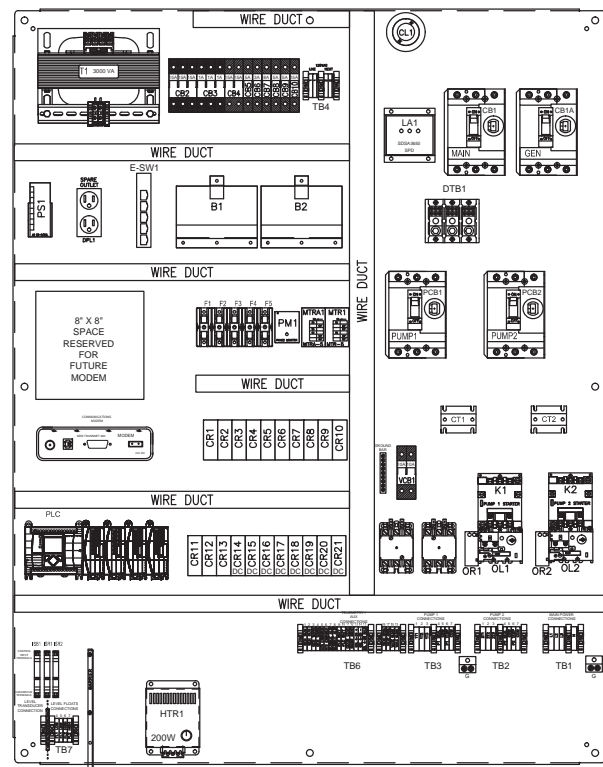


CONTROL PANEL



FRONT VIEW  
SWINGS PANELS



FRONT VIEW  
SUBPANEL

THE ENCLOSURE SHOWN REPRESENTS THE INTENT OF THE DESIGN. OFTEN THE ENCLOSURE SIZE AND LAYOUT MUST CHANGE TO ACCOMMODATE THE REQUIRED COMPONENTS AND FINAL DESIGN. PLEASE CONTACT ROMTEC UTILITIES TO OBTAIN ACTUAL AS-BUILT DRAWINGS BEFORE INSTALLATION.

SHEET  
1 OF 2

RINCON POINT LIFT STATION  
CARPINTERIA, CA  
DUPLEX LIFT STATION SYSTEM  
CONTROL PANEL LAYOUT  
DRAWING

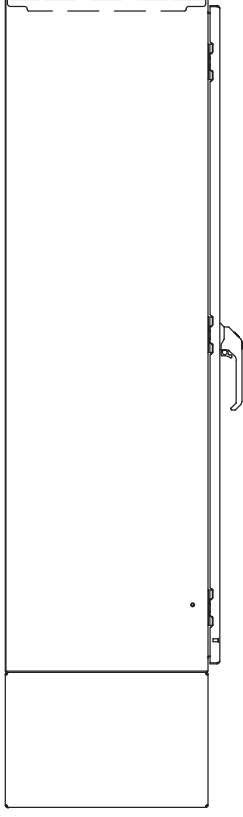
SHEET  
1 OF 2

© ROMTEC INC. ALL RIGHTS RESERVED. THESE DRAWINGS ARE THE PROPERTY OF ROMTEC INC. AND ARE NOT TO BE REPRODUCED, ADAPTED, OR FURTHER DISTRIBUTED, AND NO COMPONENTS MAY BE CONSTRUCTED FROM THESE DRAWINGS WITHOUT THE WRITTEN PERMISSION OF ROMTEC, INC.

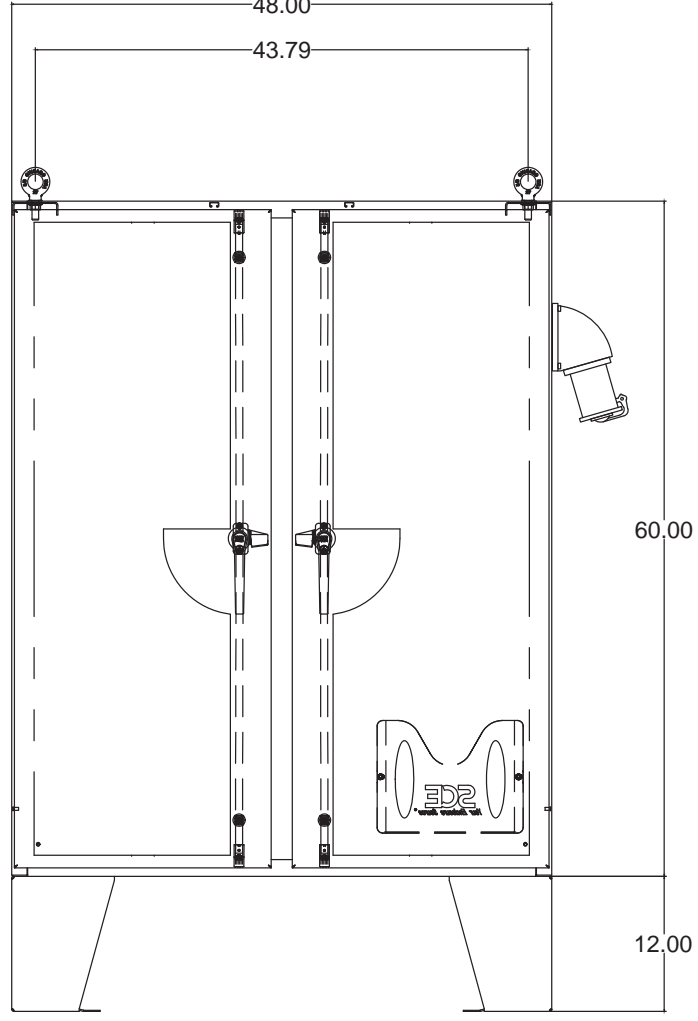
ROMTEC UTILITIES  
18240 NORTH BANK ROAD  
ROSEBURG, OR 97470  
(541) 496-9678  
FAX (541) 496-0804  
WWW.ROMTECUTILITIES.COM

NO.	DATE	REV.	DESCRIPTION	BY	CHK.
1	1/18/11	1	ADD GEN. CREDIT BREAKER	KAS	
	5/7/07/12				

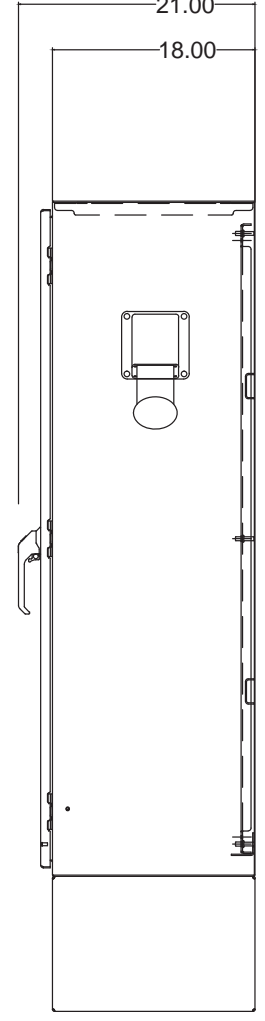
CONTROL PANEL



LEFT SIDE VIEW



FRONT VIEW



RIGHT SIDE VIEW

SHEET  
2 OF 2

NO.	DATE	BY	DESCRIPTION
1	5/17/12	ROMTEC	REVISION
2	7/23/12	ROMTEC	REVISION

© ROMTEC INC. ALL RIGHTS RESERVED. THESE DRAWINGS ARE THE PROPERTY OF ROMTEC INC. AND ARE NOT TO BE REPRODUCED, COPIED, ADAPTED OR PARTS DISTRIBUTED AND NO COMPONENTS MAY BE CONSTRUCTED FROM THESE DRAWINGS WITHOUT WRITTEN PERMISSION OF ROMTEC, INC.

**ROMTEC UTILITIES**  
 18240 NORTH BANK ROAD  
 ROSEBURG, OR 97470  
 (541) 496-9678  
 FAX (541) 496-0804  
 WWW.romtecutilities.com

RINCON POINT LIFT STATION  
 CARPINTERIA, CA  
 DUPLEX LIFT STATION SYSTEM  
 CONTROL ENCLOSURE  
 DRAWING

SHEET  
2 OF 2