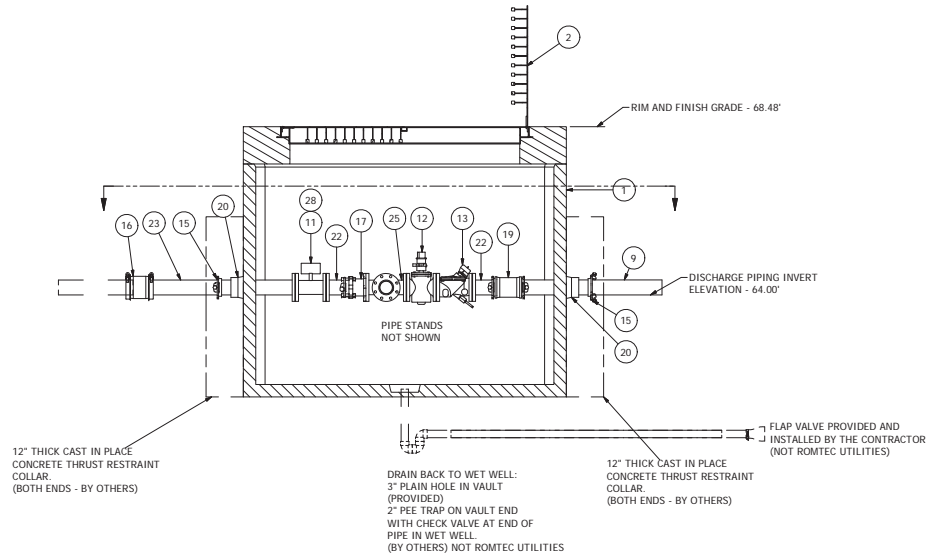
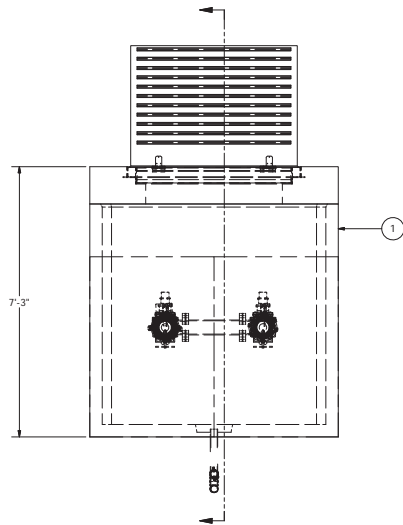


ALL DUCTILE IRON PIPING TO HAVE 401 LINING AND TNEC N140 COATING

NOTE: VAULT TOP SLAB IS H-20 OCCASIONAL RATED



**687 VALVE VAULT
4" PIPING AND VALVES**

ALL MATERIALS SHOWN ON THIS SHEET WILL BE SUPPLIED BY ROMTEC UTILITIES AND DELIVERED TO THE SITE AFTER THE HOLE HAS BEEN EXCAVATED AND SHORED. THE CONTRACTOR SHALL SUPPLY A CRANE OF SUFFICIENT SIZE TO LOWER ALL THE CONCRETE PIECES INTO THE HOLE SAFELY. THE CONTRACTOR SHALL INSTALL THE WET WELL (AND VALVE VAULT AND METERING VAULT IF APPLICABLE). ROMTEC UTILITIES WILL PROVIDE A REPRESENTATIVE FOR TECHNICAL ASSISTANCE ON THE DAY OF INSTALLATION TO ANSWER ANY QUESTIONS THAT MAY ARISE. THE CONTRACTOR IS RESPONSIBLE FOR ALL PLUMBING AND ELECTRICAL CONNECTIONS AND INSTALLATION. ITEMS NOTED AS "BY OTHERS" WILL BE PROVIDED AND INSTALLED BY THE CONTRACTOR. ROMTEC UTILITIES WILL NOT INSTALL ANY OF THE COMPONENTS SHOWN ON THIS PAGE.

NOTE: ALL DIMENSIONS AND ELEVATIONS SHOWN ARE NOMINAL DIMENSIONS. IT IS THE RESPONSIBILITY OF THE ON-SITE CONTRACTOR OR ROMTEC UTILITIES CUSTOMER (NOT ROMTEC UTILITIES) TO VERIFY THE ACCURACY OF ANY CRITICAL DIMENSIONS OR ELEVATIONS PRIOR TO SETTING OR INSTALLING ANY EQUIPMENT.

© 2013 ROMTEC INC. ALL RIGHTS RESERVED. THESE PLANS AND DRAWINGS MAY NOT BE REPRODUCED, ADAPTED, OR FURTHER DISTRIBUTED, AND NO COMPONENTS MAY BE CONSTRUCTED FROM THESE PLANS, WITHOUT WRITTEN PERMISSION OF ROMTEC, INC.

NO.	REVISION	DATE	APPROVED
1	REVISED RIM/ELEVATIONS	9/24/13	BWA
2	REVISED HATCH TO H20	2/14/13	AD
3	REVISED PER 7/7/13 COMMENTS	1/23/13	AD
4	ADDED FLOW METER TO VALVE VAULT	6/5/12	AD
5	CHANGED FITTINGS TO STAINLESS STEEL	5/2/12	AD
6	UPDATED ELEVATIONS	4/25/12	AD
7	CONTRACTOR COMMENTS		
8	DESCRIPTION		
9	REV		

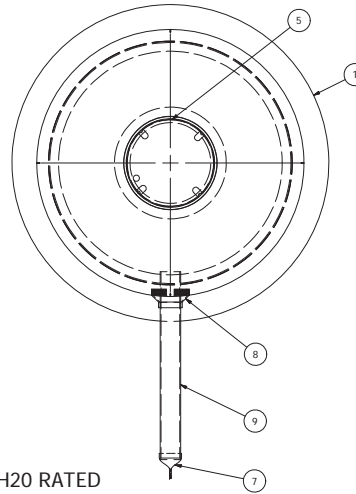
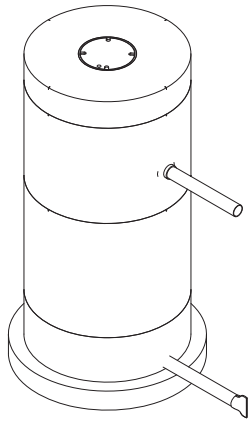
COMPONENT DRAWING

ROMTEC UTILITIES
18240 NORTH BANK ROAD
ROSEBURG, OREGON 97470
FAX (541) 496-0804

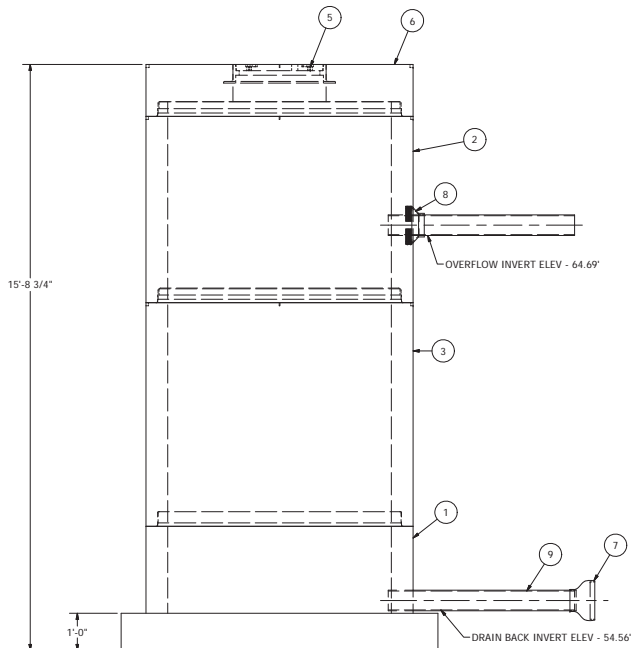
CARPINTERIA SANITARY DIST
CRAIG MURRAY
RINCON POINT
4" - 687 VALVE VAULT

SHEET
2 OF 3

JOB NUMBER
RMTC 0000

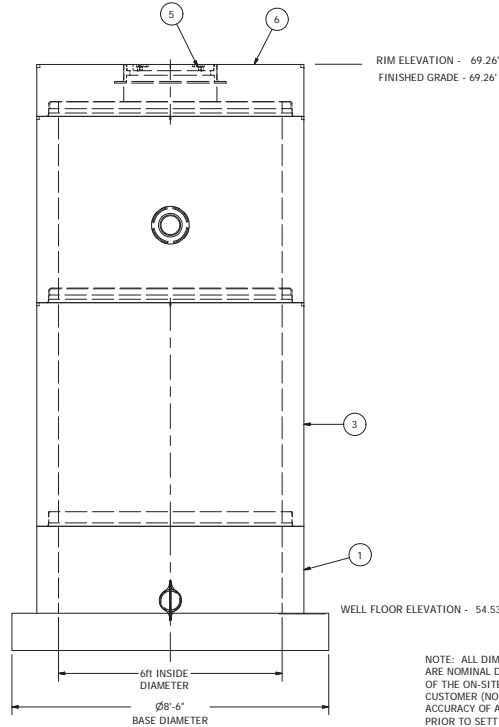


STORAGE MANHOLE H2O RATED



DRAIN BACK PIPE TO BE GROUDED INTO BOTTOM OF SUMP

7
SEE PRODUCTION DRAWING FOR AS BUILT DETAILS OF SUMP FLOOR AND HOLE LOCATION.



NOTE: ALL DIMENSIONS AND ELEVATIONS SHOWN ARE NOMINAL DIMENSIONS. IT IS THE RESPONSIBILITY OF THE ON-SITE CONTRACTOR OR ROMTEC UTILITIES' CUSTOMER (NOT ROMTEC UTILITIES) TO VERIFY THE ACCURACY OF ANY CRITICAL DIMENSIONS OR ELEVATIONS PRIOR TO SETTING OR INSTALLING ANY EQUIPMENT.

6FT DIAMETER
STORAGE MANHOLE
ONE INLET AND ONE OUTLET

© 2013 ROMTEC INC. ALL RIGHTS RESERVED. THESE PLANS AND DRAWINGS MAY NOT BE REPRODUCED, ADAPTED, OR FURTHER DISTRIBUTED, AND NO COMPONENTS MAY BE CONSTRUCTED FROM THESE PLANS, WITHOUT WRITTEN PERMISSION OF ROMTEC, INC.

REV	DESCRIPTION	DATE	APPROV
7	AS BUILT, BOTTOM PIPE WAS MOVED UP 3/8"	11/27/13	AD
6	PER LAUNCH MEETING	10-1-13	NMA
5	REVISED ELEVATIONS	9-17-13	NMA
4	ADDED 5' AND MOVED DRAIN BACK TO BOTTOM	4/17/13	NMA
3	REVISED DRAIN BACK ELEVATION	1-23-13	AD
2	UPDATED ELEVATIONS	4/25/12	AD
1	CONSTRUCTION	11/27/12	AD

COMPONENT
DRAWING

ROMTEC UTILITIES
18240 NORTH BANK ROAD
ROSEBURG, OREGON 97470
(541) 496-9678
FAX (541) 496-0804

CARPINTERIA SANITARY DIST
CRAIG MURRAY
RINCON POINT
6' DIA STORAGE TANK

SHEET
3 OF 3

JOB NUMBER
RMTC
0000

ALL MATERIALS SHOWN ON THIS SHEET WILL BE SUPPLIED BY ROMTEC UTILITIES AND DELIVERED TO THE SITE AFTER THE HOLE HAS BEEN EXCAVATED AND SHORED. THE CONTRACTOR SHALL SUPPLY A CRANE OF SUFFICIENT SIZE TO LOWER ALL THE CONCRETE PIECES INTO THE HOLE SAFELY. THE CONTRACTOR SHALL INSTALL THE WET WELL (AND VALVE VAULT AND METERING VAULT IF APPLICABLE). ROMTEC UTILITIES WILL PROVIDE A REPRESENTATIVE FOR TECHNICAL ASSISTANCE ON THE DAY OF INSTALLATION TO ANSWER ANY QUESTIONS THAT MAY ARISE. THE CONTRACTOR IS RESPONSIBLE FOR ALL PLUMBING AND ELECTRICAL CONNECTIONS AND INSTALLATION. ITEMS NOTED AS "BY OTHERS" WILL BE PROVIDED AND INSTALLED BY THE CONTRACTOR. ROMTEC UTILITIES WILL NOT INSTALL ANY OF THE COMPONENTS SHOWN ON THIS PAGE.