

**BLOWER ASSEMBLY
FOR ODOR CONTROL
2" SS TO 4" PVC PIPING**

NOTE: ALL DIMENSIONS AND ELEVATIONS SHOWN ARE NOMINAL DIMENSIONS. IT IS THE RESPONSIBILITY OF THE ON-SITE CONTRACTOR OR ROMTEC UTILITIES CUSTOMER (NOT ROMTEC UTILITIES) TO VERIFY THE ACCURACY OF ANY CRITICAL DIMENSIONS OR ELEVATIONS PRIOR TO SETTING OR INSTALLING ANY EQUIPMENT.

© 2013 ROMTEC INC. ALL RIGHTS RESERVED. THESE PLANS AND DRAWINGS MAY NOT BE REPRODUCED, ADAPTED, OR FURTHER DISTRIBUTED, AND NO COMPONENTS MAY BE CONSTRUCTED FROM THESE PLANS, WITHOUT WRITTEN PERMISSION OF ROMTEC, INC.

DESIGNED BY	DATE	REV	DESCRIPTION	DATE	APPROVED
0	11-21-13	1	ADDED PRESSURE SWITCH/ACCESSORIES	11-21-13	AWK
1	11-21-13				

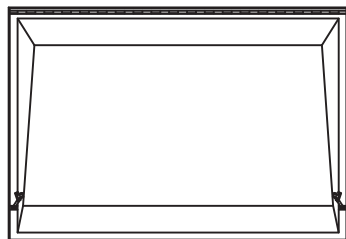
**COMPONENT
DRAWING**

**ROMTEC
UTILITIES**
18240 NORTH BANK ROAD
ROSEBURG, OREGON 97470
(541) 496-9678
FAX (541) 496-0804

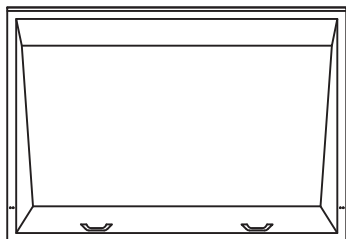
**BAY MEADOWS
O.C. BLOWER ASSEMBLY**

SHEET
4 OF 4

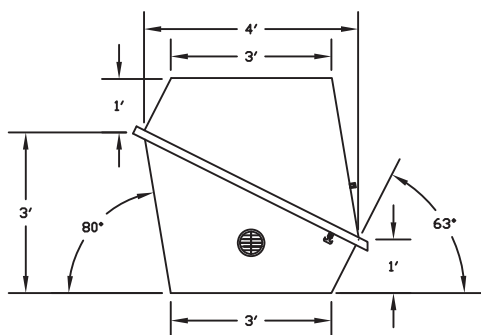
JOB NUMBER
**RMTC
0000**



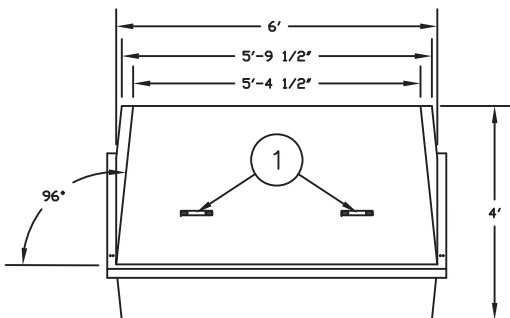
BOTTOM VIEW



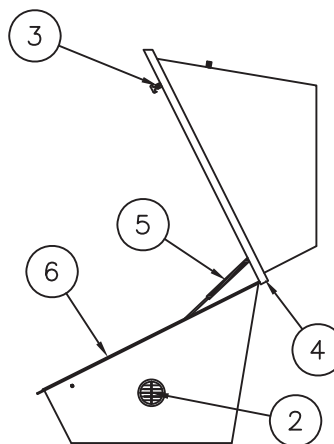
TOP VIEW



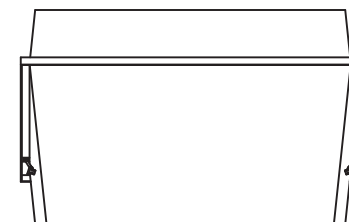
LEFT VIEW
CLOSED



FRONT VIEW
CLOSED



RIGHT VIEW
OPENED



BACK VIEW
CLOSED



SHELTER WORKS™
2616 South Third Street, St. Louis, MO 63118
Phone: (800) 794-8037 Fax: (314) 664-9301
www.shelterworks.com

REV	DESCRIPTION	BY	DATE
	EXTERIOR VIEWS		
	FILE: BM-487248-HLA-GEN .DWG		
	PLOT SCALE: 1/64	BY: J.G.	DATE: 02/14/08

PROPRIETARY TO SHELTER WORKS™
This document is confidential and proprietary to Shelter Works™ and cannot be used, disclosed, copied, or duplicated in any manner without the prior written consent of Shelter Works™
© 2007 Switzer Industries, Inc. dba Shelter Works™. All Rights Reserved.

CUSTOMER: GENERIC	ORDER #:
PROJECT: -	-
TITLE: BIG MOUTH CABINET - HINGED W/ LIFT ASSISTANCE	SIZE: B
SCALE: 1/16"	DWG #: BM-487248-HLA-GEN
	SHEET 1 OF 1

