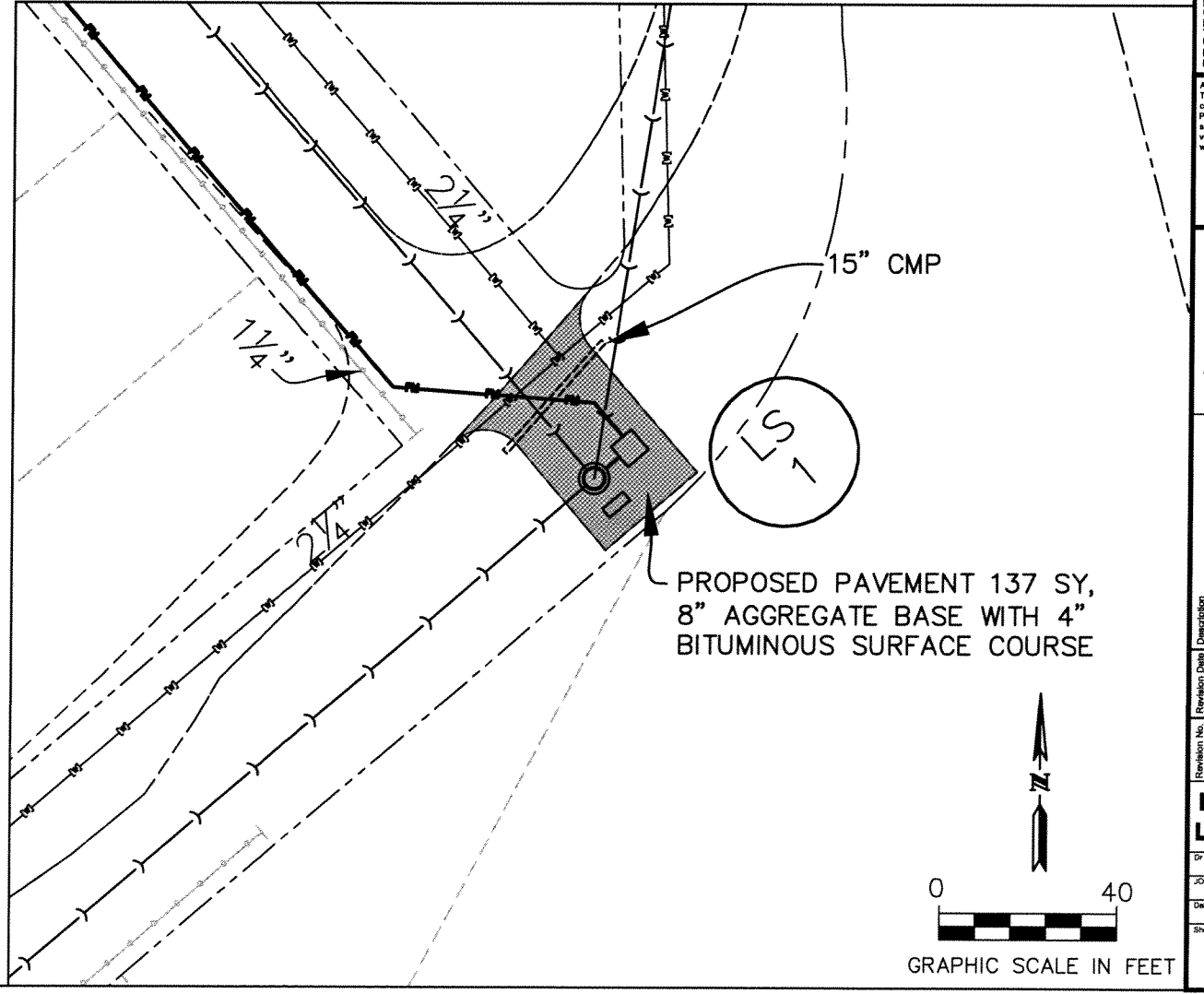
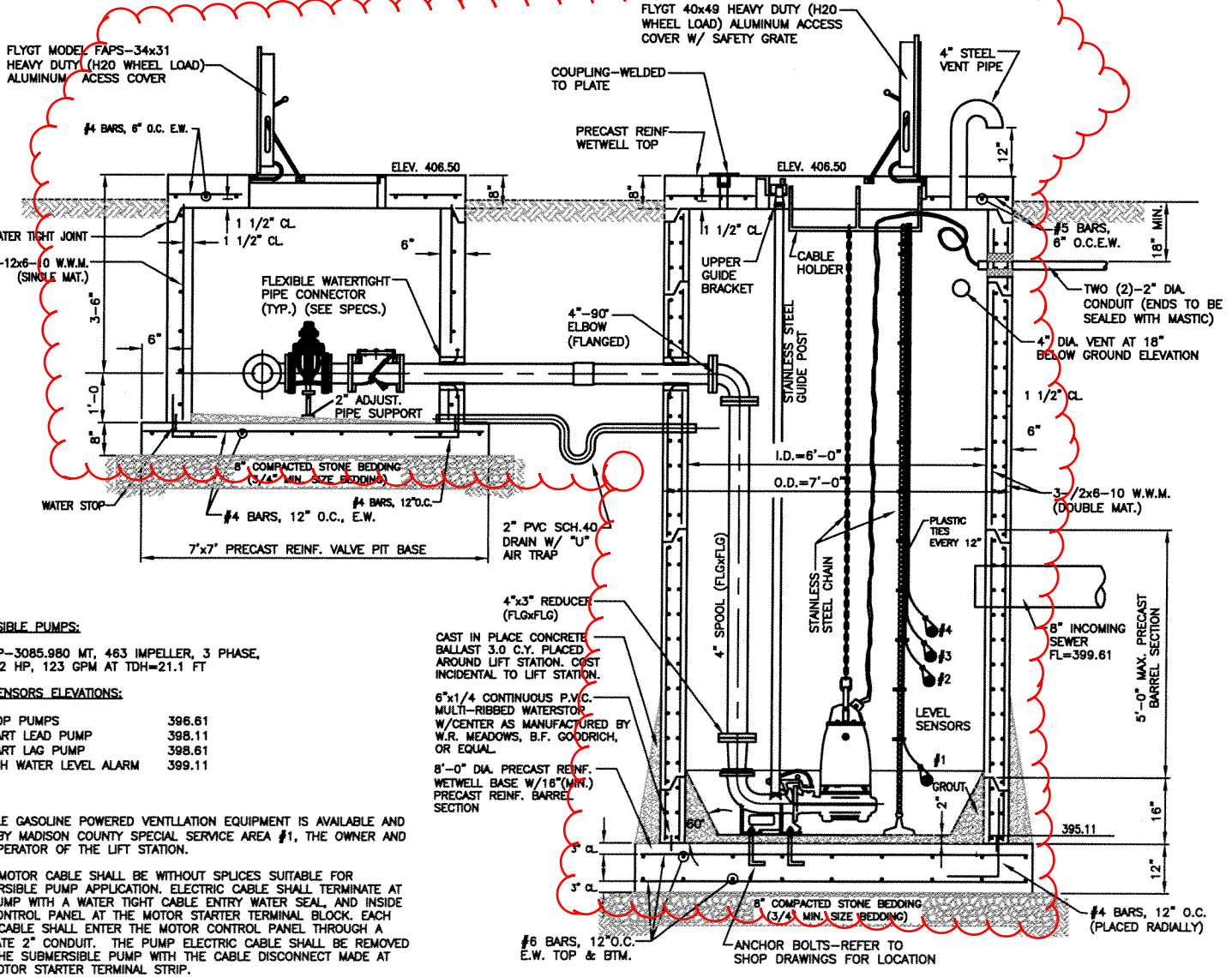
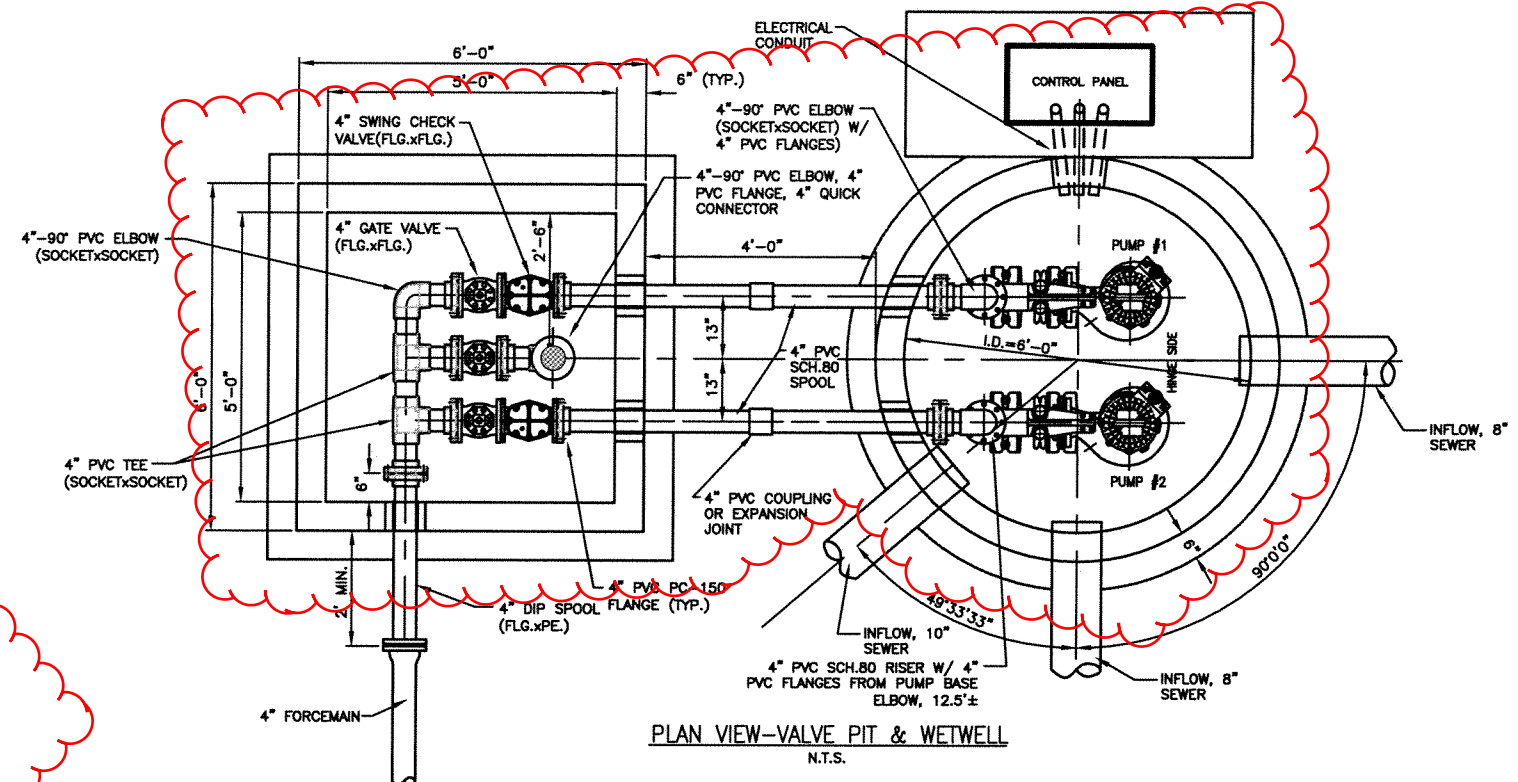
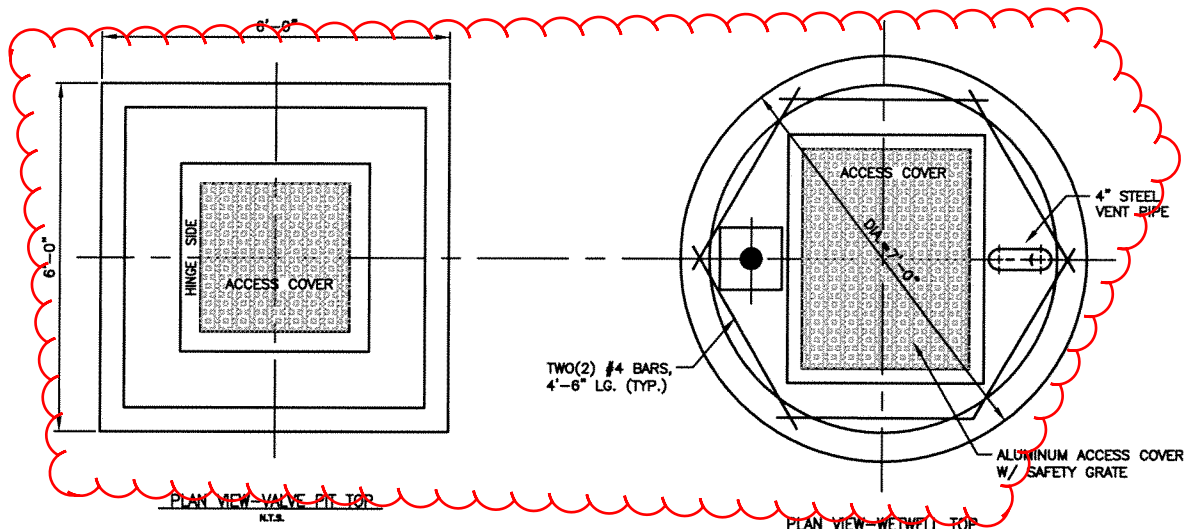




Juneau Associates, Inc. P.C.
 CONSULTING ENGINEERS AND LAND SURVEYORS
 2100 State Street, P.O. Box 1328
 Greenville, South Carolina 29615-0328
 Phone: (813) 877-1400 / (813) 482-5636
 Fax: (813) 482-5641
 100 North Research Drive
 Edgewater, Maryland 21035
 Phone: (410) 399-6200 / (410) 399-0800
 Fax: (410) 399-0841
 Project # E065900



- SUBMERSIBLE PUMPS:**
 FLYGT NP-3085.980 MT, 463 IMPELLER, 3 PHASE,
 230V, 2.2 HP, 123 GPM AT TDH=21.1 FT
- LEVEL SENSORS ELEVATIONS:**
- | | |
|----------------------------|--------|
| #1. STOP PUMPS | 396.61 |
| #2. START LEAD PUMP | 398.11 |
| #3. START LAG PUMP | 398.61 |
| #4. HIGH WATER LEVEL ALARM | 399.11 |

- NOTES:**
- POTABLE GASOLINE POWERED VENTILATION EQUIPMENT IS AVAILABLE AND USED BY MADISON COUNTY SPECIAL SERVICE AREA #1, THE OWNER AND THE OPERATOR OF THE LIFT STATION.
 - PUMP MOTOR CABLE SHALL BE WITHOUT SPLICES SUITABLE FOR SUBMERSIBLE PUMP APPLICATION. ELECTRIC CABLE SHALL TERMINATE AT THE PUMP WITH A WATER TIGHT CABLE ENTRY WATER SEAL, AND INSIDE THE CONTROL PANEL AT THE MOTOR STARTER TERMINAL BLOCK. EACH PUMP CABLE SHALL ENTER THE MOTOR CONTROL PANEL THROUGH A SEPARATE 2" CONDUIT. THE PUMP ELECTRIC CABLE SHALL BE REMOVED WITH THE SUBMERSIBLE PUMP WITH THE CABLE DISCONNECT MADE AT THE MOTOR STARTER TERMINAL STRIP.
 - ELECTRICAL SERVICE TO LIFT STATION CONTROL PANEL FROM POWER POLE SHALL BE RUN UNDERGROUND.
 - 4" VENT PIPE AND PUMP GUIDE POSTS SHALL BE GALVANIZED STEEL.
 - ALL EXPOSED CONCRETE EDGES SHALL HAVE A 3/4" CHAMFER.

SECTION THROUGH VALVE PIT AND WETWELL
 N.T.S.

PROJECT:

Accessibility for Persons with Disabilities - This drawing contains layouts and elements critical to providing Access for Disabled Persons as described in specification section 01400. Contractor shall provide verification and certification of Compliance with the applicable accessibility regulations.

MADISON COUNTY, IL
 Sanitary Sewer Project

Venice & Nameoki Townships

LIFT STATION LS #1 DETAILS

Dr.	Ck.
206 #	Client
Date	July, 2009
Sheet Number	

C2.0

P:\2009\LD6901 Eagle Park Sewer\DWG\LD6901-Detail.dwg, Plotted By: maddalena, Plotted: Aug 12, 2009 - 1:28pm