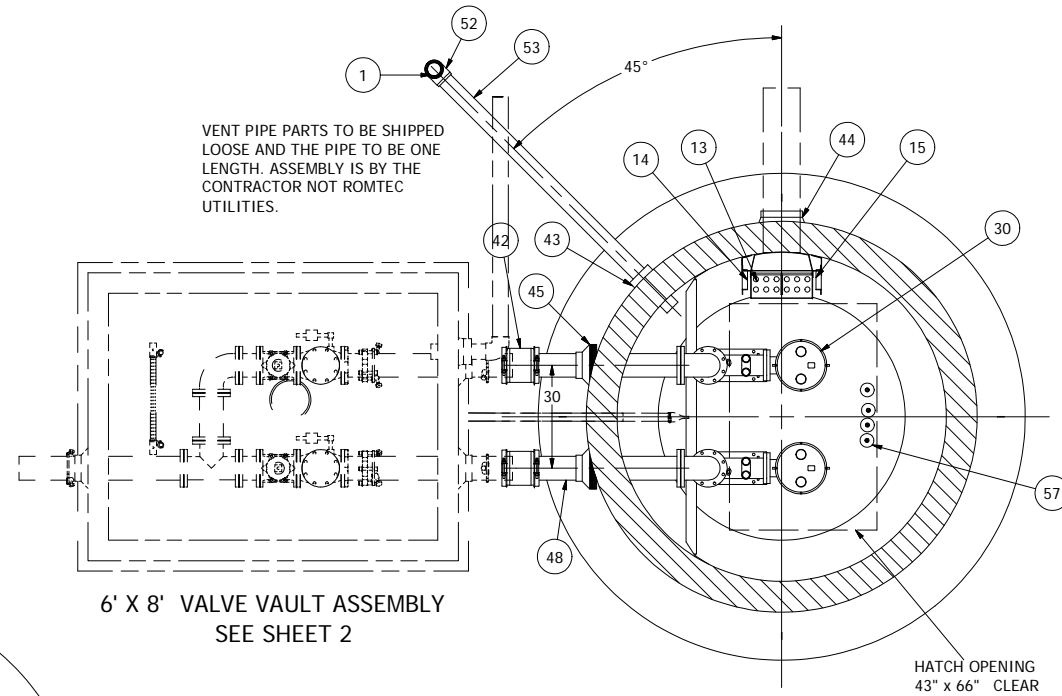
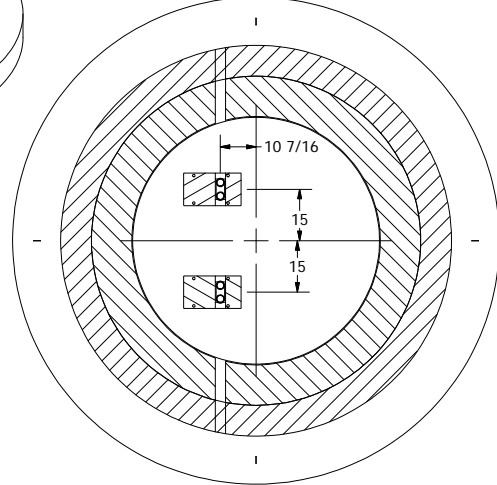


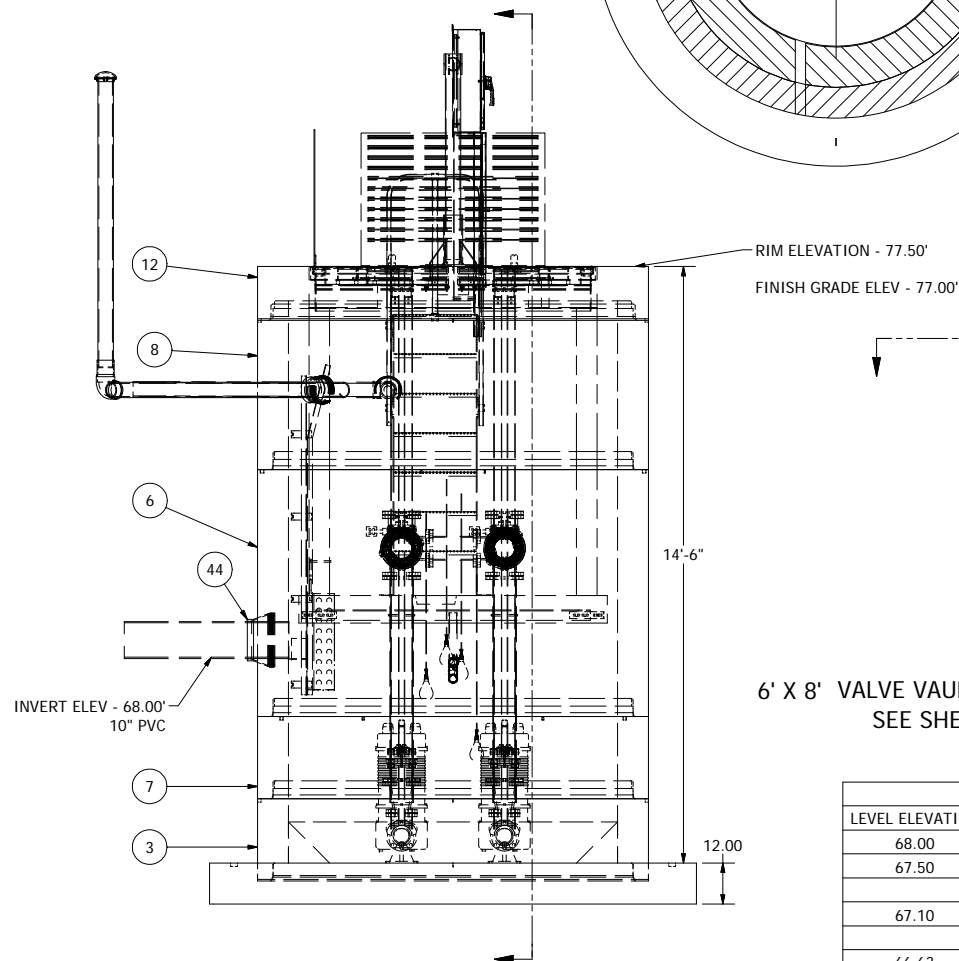
SECTION A-A
ANCHOR BOLT DETAIL



6' X 8' VALVE VAULT ASSEMBLY
SEE SHEET 2

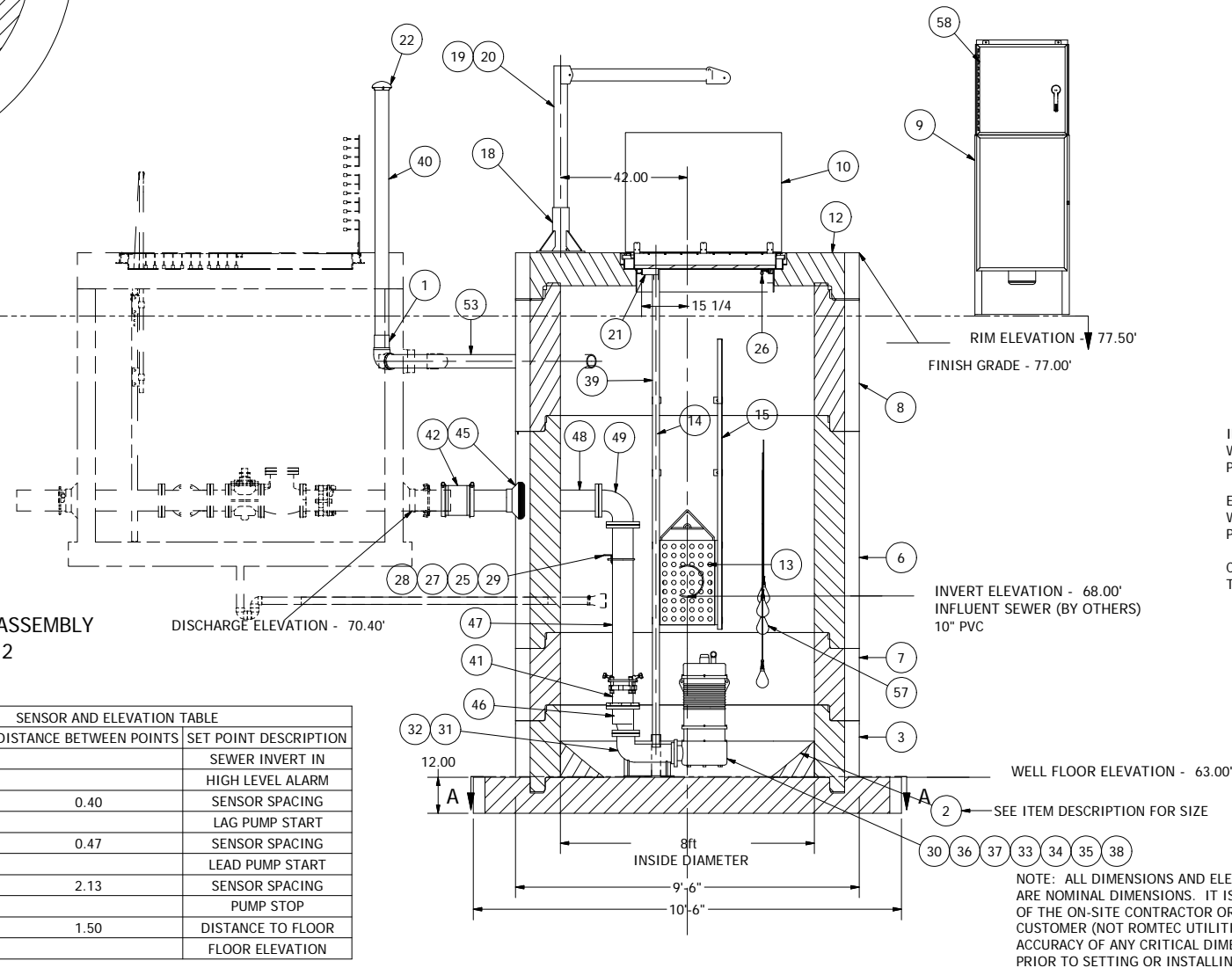
NOTE: WET WELL TOP SLAB IS H-20 OCCASIONAL TRAFFIC RATED

NOTE:
CONDUIT TO CONTROL
PANEL (BY OTHERS)
MINIMUM
(1) FOR POWER
(1) FOR LEVEL SENSING



6' X 8' VALVE VAULT ASSEMBLY
SEE SHEET 2

SENSOR AND ELEVATION TABLE		
LEVEL ELEVATION	DISTANCE BETWEEN POINTS	SET POINT DESCRIPTION
68.00		SEWER INVERT IN HIGH LEVEL ALARM
67.50	0.40	SENSOR SPACING
67.10	0.47	LAG PUMP START
66.63	2.13	SENSOR SPACING
64.50	1.50	LEAD PUMP START
63.00		PUMP STOP
		DISTANCE TO FLOOR
		FLOOR ELEVATION



INTERIOR OF THE WET WELL TO BE COATED WITH SHERWIN WILLIAMS MARCOPOXY 646 WHITE. TWO COATS, 4-6 MILS PER COAT.

EXTERIOR OF THE WET WELL TO BE COATED WITH SHERWIN WILLIAMS MARCOPOXY 646 BLACK. TWO COATS, 4-6 MILS PER COAT.

CONCRETE MUST CURE FOR 28 DAYS AS REQUIRED PRIOR TO APPLICATION OF EPOXY COATING.

**8' DIAMETER WET WELL
6" DISCHARGE PIPING
7.5HP WEIL SLICER PUMPS
6" - 6' X 8' VALVE VAULT**

WELL FLOOR ELEVATION - 63.00'

SEE ITEM DESCRIPTION FOR SIZE

NOTE: ALL DIMENSIONS AND ELEVATIONS SHOWN ARE NOMINAL DIMENSIONS. IT IS THE RESPONSIBILITY OF THE ON-SITE CONTRACTOR OR ROMTEC UTILITIES CUSTOMER (NOT ROMTEC UTILITIES) TO VERIFY THE ACCURACY OF ANY CRITICAL DIMENSIONS OR ELEVATIONS PRIOR TO SETTING OR INSTALLING ANY EQUIPMENT.

© 2013 ROMTEC INC. ALL RIGHTS RESERVED. THESE PLANS AND DRAWINGS MAY NOT BE REPRODUCED, ADAPTED, OR FURTHER DISTRIBUTED, AND NO COMPONENTS MAY BE CONSTRUCTED FROM THESE PLANS, WITHOUT WRITTEN PERMISSION OF ROMTEC, INC.

REV	DESCRIPTION	DATE	APPROV
1	WELL SLICER PUMPS	3/27/13	AD
2	CHANGED TO 7.5HP PUMPS	4/23/13	AD
3	CHANGES PER COMMENTS UP THROUGH 9/13/13	9/13/13	NNA
4	REMOVE DI COATING AND LINING	12/18/13	NNA
5	CHANGED TO WEIL SLICER PUMPS	2/10/14	AD
6	CHANGED BACK TO WEIL SLICER PUMPS	2/21/14	AD
7	CHANGED PUMPS FROM 10HP TO 7.5HP	3/25/14	AD
8	UPDATED ANCHOR BOLT LAYOUT	4/24/14	AD

VERIFY SCALE
BAR IS ONE INCH ON ORIGINAL DRAWING
0 IF NOT ONE INCH ON THIS SHEET ADJUST SCALES APPROPRIATELY

COMPONENT DRAWING

18240 NORTH BANK ROAD
ROSEBURG, OREGON 97470
(541) 496-9678
FAX (541) 496-0804

LPW# _____

JBM DL

8' WET WELL - 6" PIPING