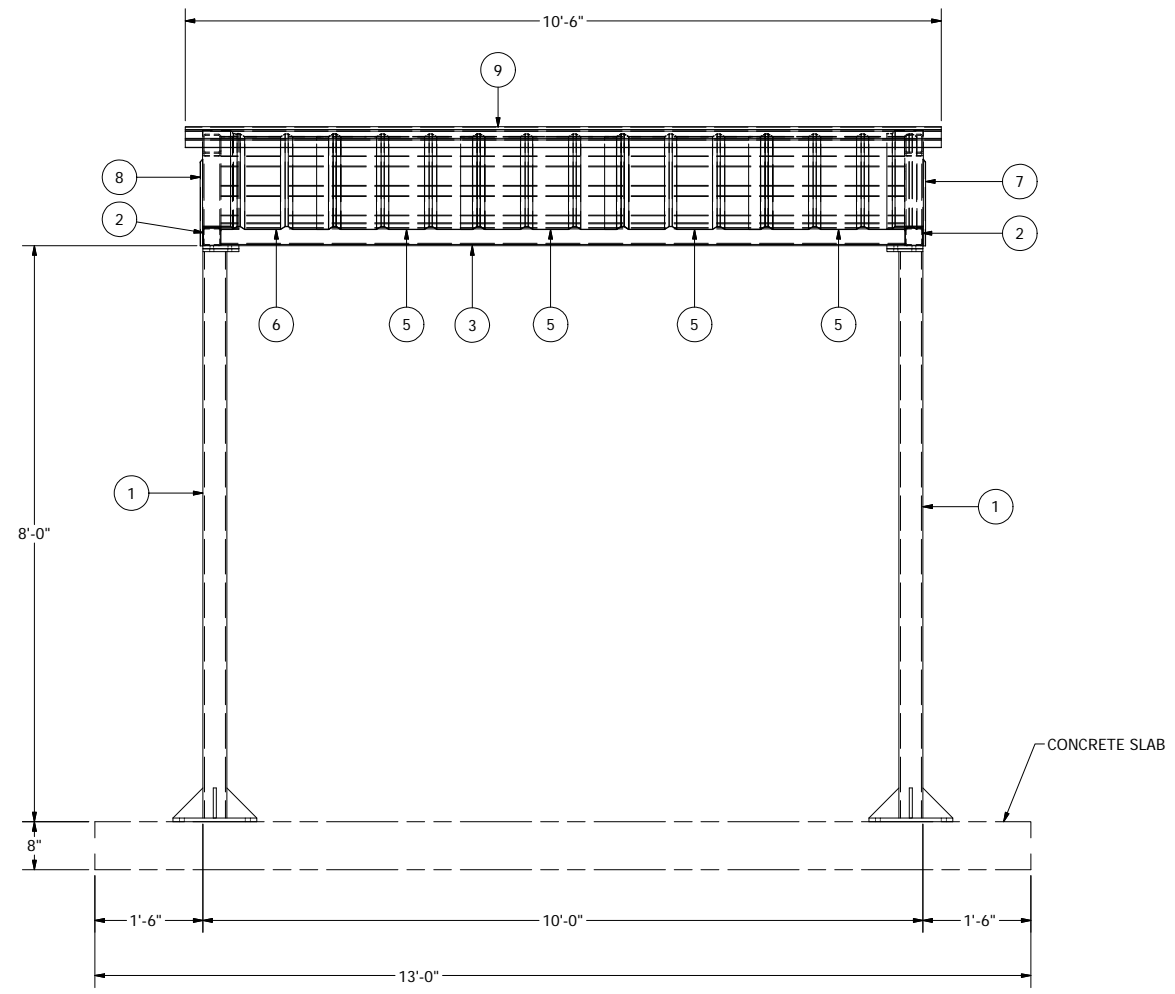
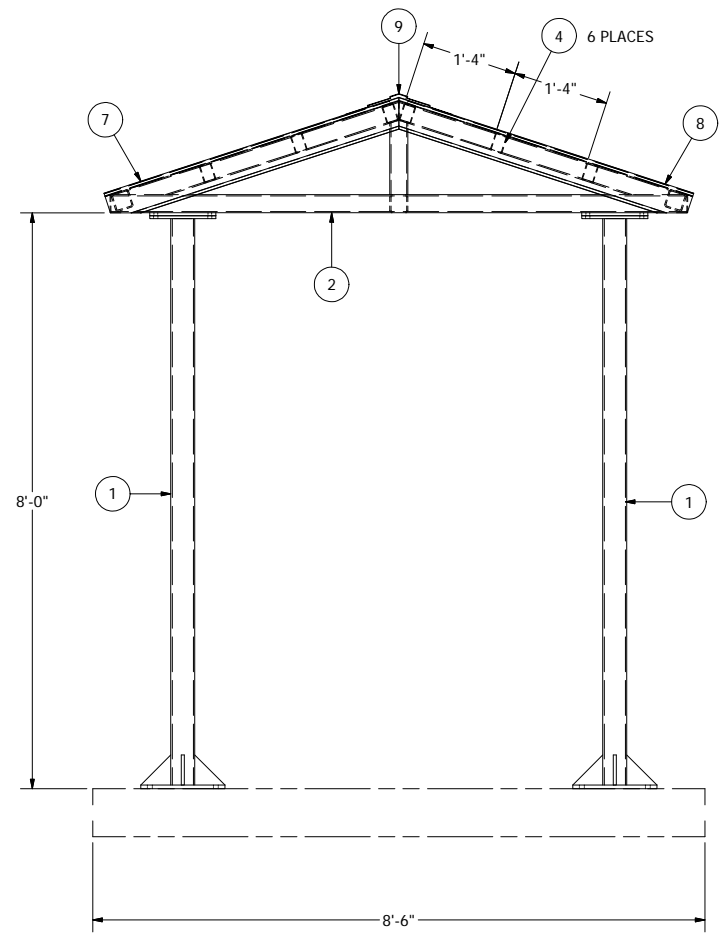


Parts List			
ITEM	QTY	STOCK NUMBER	DESCRIPTION
1	4		4-POST SHELTER - COLUMN ASSEMBLY
2	2		4-POST SHELTER - TRUSS ASSEMBLY
5	8		4-POST SHELTER - ROOF PANEL - FULL X 50in
6	2		4-POST SHELTER - ROOF PANEL CUT - 50in X 24in WIDE
7	2		4-POST SHELTER - DRIP CAP - LEFT
8	2		4-POST SHELTER - DRIP CAP - RIGHT
3	3		4-POST SHELTER - ROOF FRAME SIDE TUBE - 3 X 3 X 3/16 X 114in
4	6		4-POST SHELTER - PERLIN TUBE - 3 X 2 X .120 WALL X 114in
9	1		4-POST SHELTER - RIDGE CAP X 10'-6" LONG
10	16		5-8-UNC X 1in BOLTS
11	16		5-8UNC - HEX NUTS
12	16		.75 X 6in ANCHOR BOLT
13	16		HEX NUT - .75-UNC
14	AR		NO. 14 GRANDRIB SCREW



NOTE: ALL DIMENSIONS AND ELEVATIONS SHOWN ARE NOMINAL DIMENSIONS. IT IS THE RESPONSIBILITY OF THE ON-SITE CONTRACTOR OR ROMTEC UTILITIES CUSTOMER (NOT ROMTEC UTILITIES) TO VERIFY THE ACCURACY OF ANY CRITICAL DIMENSIONS OR ELEVATIONS PRIOR TO SETTING OR INSTALLING ANY EQUIPMENT.

© 2011 ROMTEC INC. ALL RIGHTS RESERVED. THESE PLANS AND DRAWINGS MAY NOT BE REPRODUCED, ADAPTED, OR FURTHER DISTRIBUTED, AND NO COMPONENTS MAY BE CONSTRUCTED FROM THESE PLANS, WITHOUT WRITTEN PERMISSION OF ROMTEC, INC.

DRAWING GEOMETRY IS ACCURATE AND FIT TO THE SHEET. DO NOT SCALE THIS DRAWING.

DSN - AM
DRN - AM
CKD - AM
DATE - 03/26/13

COMPONENT DRAWING
DRAWING HISTORY

ROMTEC UTILITIES
18240 NORTH BANK ROAD
ROSEBURG, OREGON 97470
(541) 496-9678
FAX (541) 496-0804

TUBE PURLINS
WET WELL CONTROLS
4-POST 8 X 10 SHELTER ASSY

SHEET
1 OF 1

JOB NUMBER
RMTC
0000