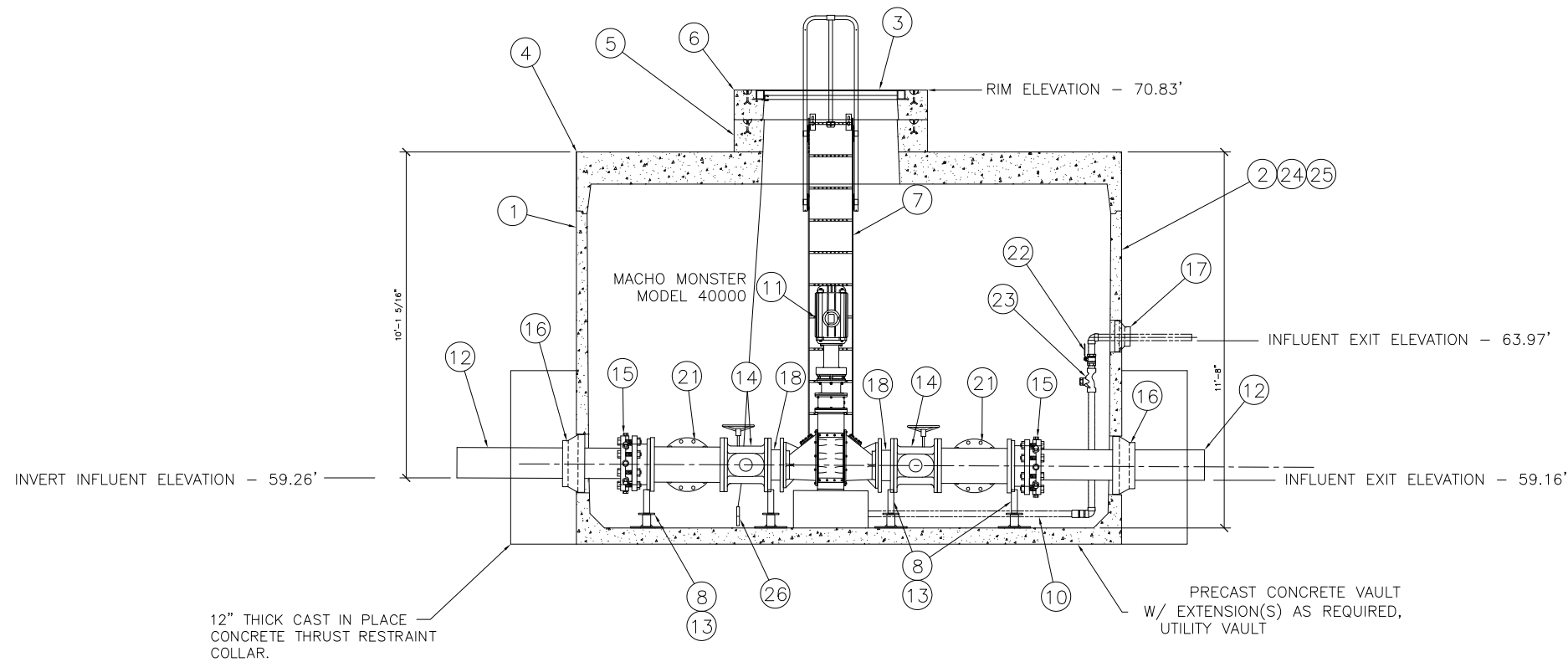


12" THICK CAST IN PLACE CONCRETE THRUST RESTRAINT COLLAR.

NOTE: GRINDER PIT TOP SLAB IS PEDESTRIAN RATED



12" THICK CAST IN PLACE CONCRETE THRUST RESTRAINT COLLAR.

PRECAST CONCRETE VAULT W/ EXTENSION(S) AS REQUIRED, UTILITY VAULT

NO.	DATE	DESCRIPTION	BY
3	11/25/06	IN PRODUCTION FOR CONSTRUCTION	AD
2	12/07/06	CHANGES PER LAUNCH COMMENTS	AM
1	11/23/06	COMPONENT DRAWING	AM

VERIFY SCALE
 BAR IS ONE INCH ON ORIGINAL DRAWING
 0 1"
 IF NOT ONE INCH ON SCALE, ACCORDINGLY
 DSN. AD
 DRN. AD
 CKD. AD
 DATE: AUG. 2007

ROMTEC UTILITIES
 18240 NORTH BANK ROAD
 ROSEBURG, OR 97470
 (541) - 496-9678
 FAX (541) - 496-0804

CONSTRUCTION
 IN-LINE GRINDER VAULT

SHEET
 1 OF 3
 JOB NUMBER
 RMTc 0000