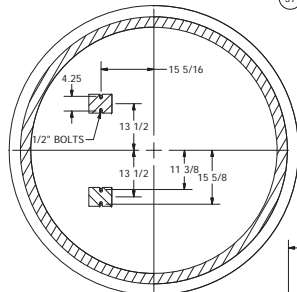
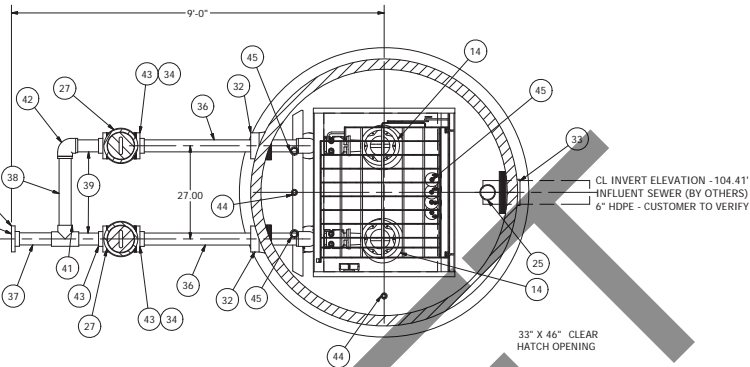


THE LAST PIECE OF PIPE MUST BE FIELD FIT TO MAKE THE FLANGE FACE TO COME OUT TO 9/16" FROM THE WET WELL CENTERLINE.



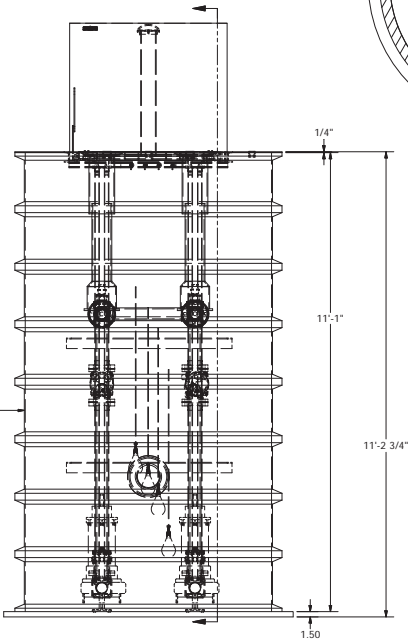
ANCHOR BOLT LAYOUT



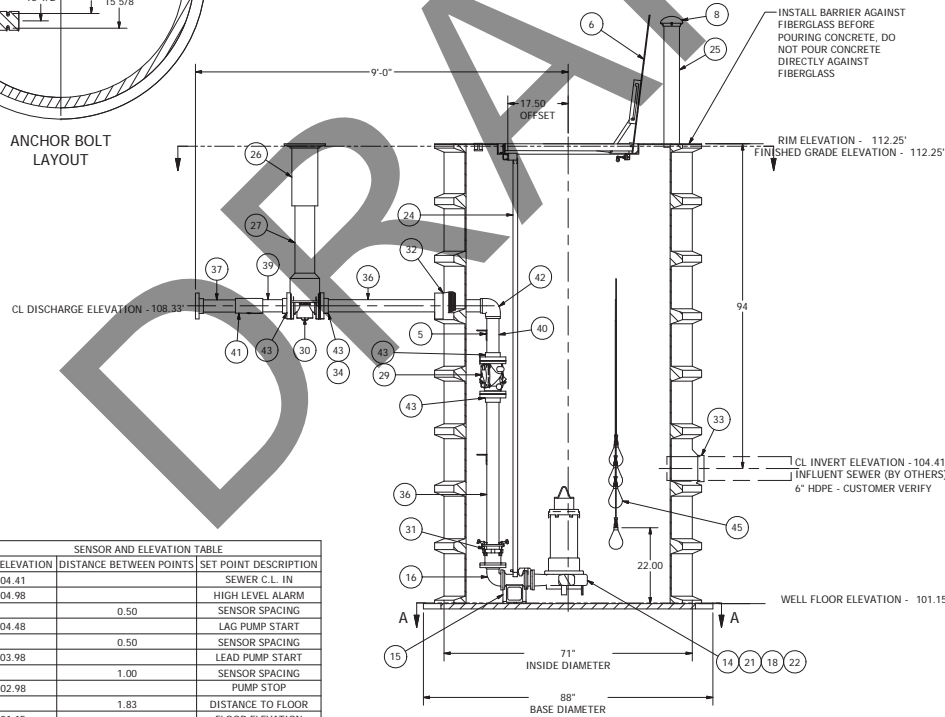
CL INVERT ELEVATION - 104.41'
INFLUENT SEWER (BY OTHERS)
6" HDPE - CUSTOMER TO VERIFY

33" X 46" CLEAR HATCH OPENING

NOTE: WET WELL TOP SLAB IS PEDESTRIAN RATED



SENSOR AND ELEVATION TABLE		
LEVEL ELEVATION	DISTANCE BETWEEN POINTS	SET POINT DESCRIPTION
104.41		SEWER C.L. IN
104.98		HIGH LEVEL ALARM
104.48	0.50	SENSOR SPACING
		LAG PUMP START
104.48	0.50	SENSOR SPACING
		LEAD PUMP START
103.98		SENSOR SPACING
		PUMP STOP
102.98	1.00	DISTANCE TO FLOOR
101.15		FLOOR ELEVATION



INSTALL BARRIER AGAINST FIBERGLASS BEFORE POURING CONCRETE. DO NOT POUR CONCRETE DIRECTLY AGAINST FIBERGLASS

RIM ELEVATION - 112.25'
FINISHED GRADE ELEVATION - 112.25'

CL INVERT ELEVATION - 104.41'
INFLUENT SEWER (BY OTHERS)
6" HDPE - CUSTOMER VERIFY

WELL FLOOR ELEVATION - 101.15'

NOTE: ALL DIMENSIONS AND ELEVATIONS SHOWN ARE NOMINAL DIMENSIONS. IT IS THE RESPONSIBILITY OF THE ON-SITE CONTRACTOR OR ROMTEC UTILITIES CUSTOMER (NOT ROMTEC UTILITIES) TO VERIFY THE ACCURACY OF ANY CRITICAL DIMENSIONS OR ELEVATIONS PRIOR TO SETTING OR INSTALLING ANY EQUIPMENT.

**6" DIAMETER WET WELL
3" DISCHARGE PIPING
80DLFMU65.5 EBARA PUMPS**

ALL MATERIALS SHOWN ON THIS SHEET WILL BE SUPPLIED BY ROMTEC UTILITIES AND DELIVERED TO THE SITE AFTER THE HOLE HAS BEEN EXCAVATED AND SHORED. THE CONTRACTOR SHALL SUPPLY A CRANE OF SUFFICIENT SIZE TO LOWER ALL THE CONCRETE PIECES INTO THE HOLE SAFELY. THE CONTRACTOR SHALL INSTALL THE WET WELL (AND VALVE VAULT AND METERING VAULT IF APPLICABLE). ROMTEC UTILITIES WILL PROVIDE A REPRESENTATIVE FOR TECHNICAL ASSISTANCE ON THE DAY OF INSTALLATION TO ANSWER ANY QUESTIONS THAT MAY ARISE. THE CONTRACTOR IS RESPONSIBLE FOR ALL PLUMBING AND ELECTRICAL CONNECTIONS AND INSTALLATION. ITEMS NOTED AS "BY OTHERS" WILL BE PROVIDED AND INSTALLED BY THE CONTRACTOR. ROMTEC UTILITIES WILL NOT INSTALL ANY OF THE COMPONENTS SHOWN ON THIS PAGE.

© 2012 ROMTEC INC. ALL RIGHTS RESERVED. THESE PLANS AND DRAWINGS MAY NOT BE REPRODUCED, ADAPTED, OR FURTHER DISTRIBUTED, AND NO COMPONENTS MAY BE CONSTRUCTED FROM THESE PLANS, WITHOUT WRITTEN PERMISSION OF ROMTEC, INC.

REV	DESCRIPTION	DATE	BY	APP'D
0	ISSUED FOR PRODUCTION LAUNCH	3/27/13	AD	AD
1	UPDATED FOR PRODUCTION LAUNCH	3/27/13	AD	AD

DESIGNED BY	AD
CHECKED BY	AD
DATE	3/11/13
SCALE	AS SHOWN
PROJECT NO.	1300000000
PROJECT NAME	CRYO TRAIN 2 SUMP
LOCATION	18240 NORTH BANK ROAD ROSEBURG, OREGON 97470
PHONE	(541) 496-9678
FAX	(541) 496-0804

COMPONENT DRAWING

ROMTEC UTILITIES
18240 NORTH BANK ROAD
ROSEBURG, OREGON 97470
(541) 496-9678
FAX (541) 496-0804

CRYO TRAIN 2 SUMP
3" - 6" DIA WET WELL

SHEET
1 OF 1

JOB NUMBER
RMTC
0000