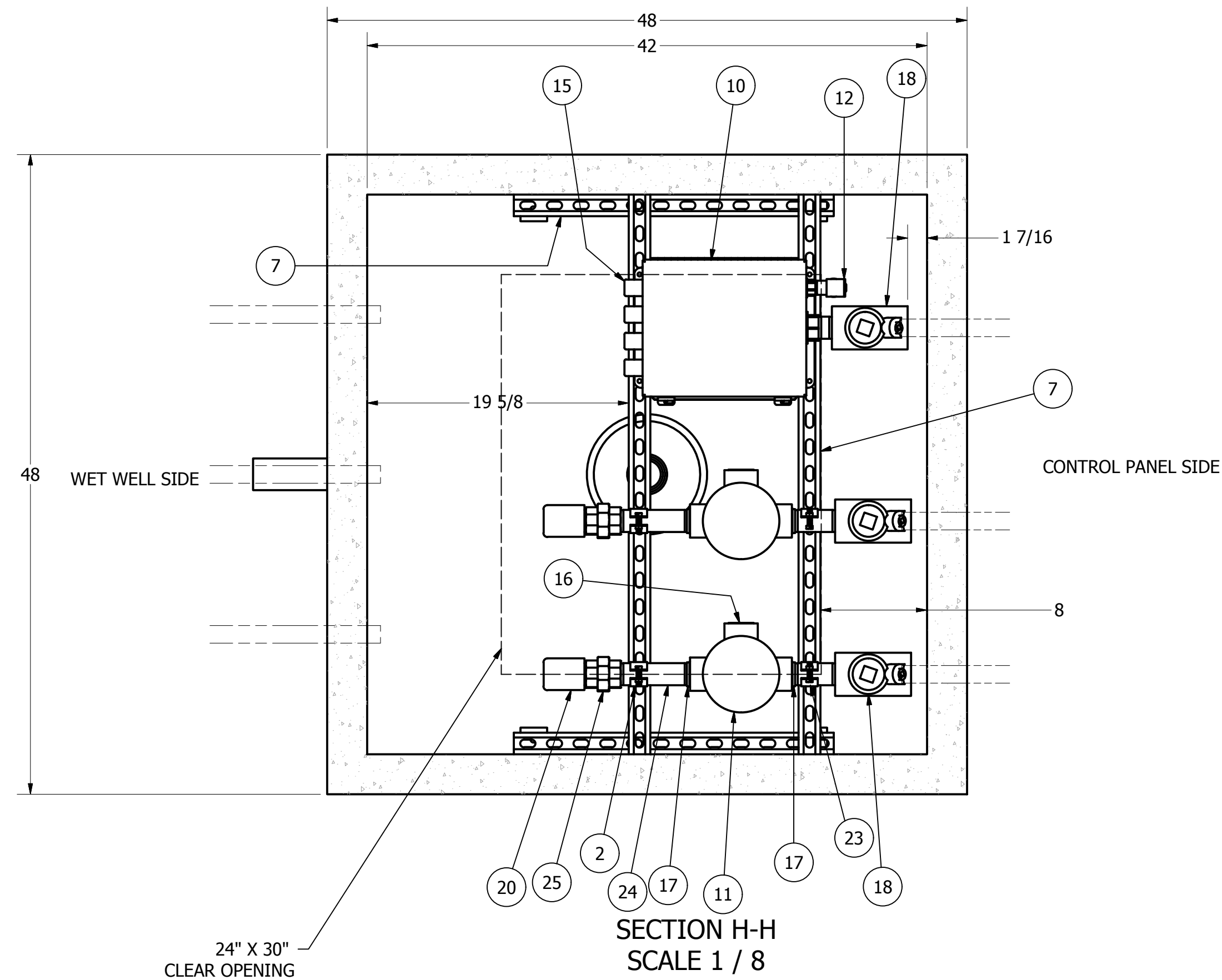
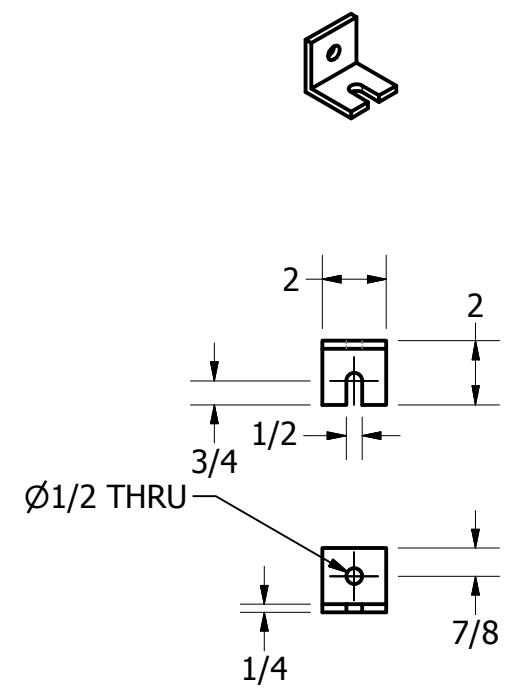


ISO VIEW  
SCALE 1 / 12

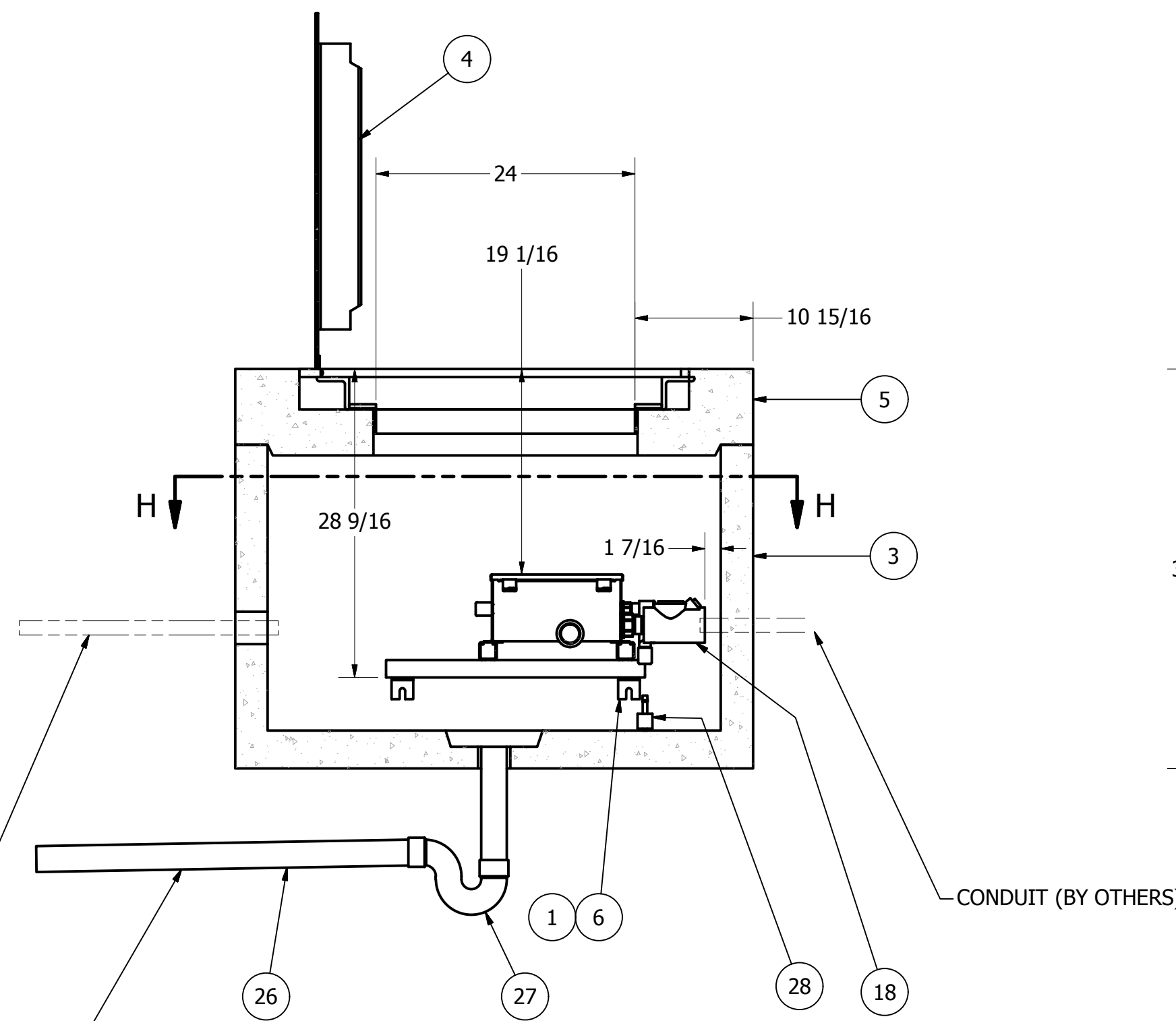
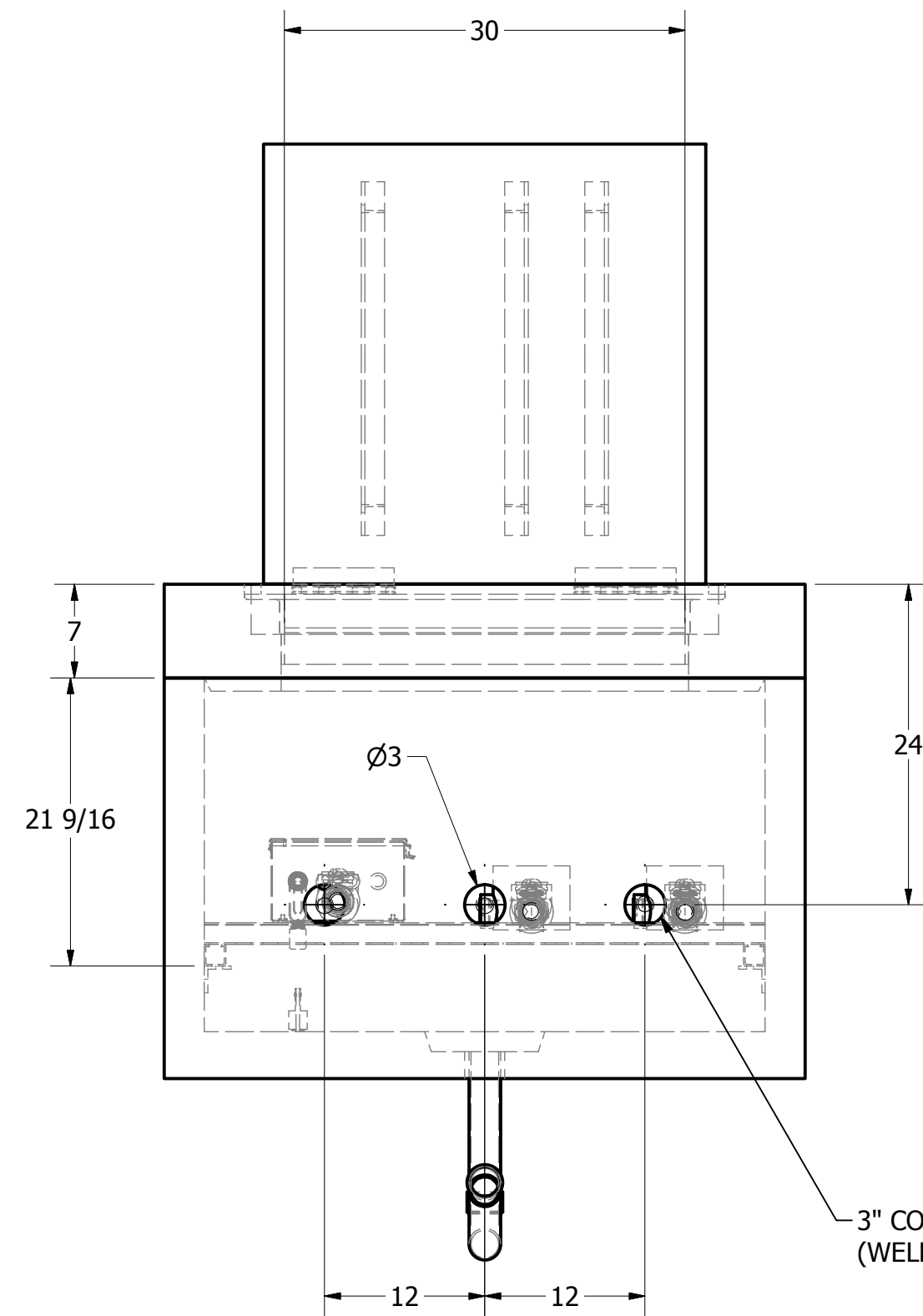


SECTION H-H  
SCALE 1 / 8

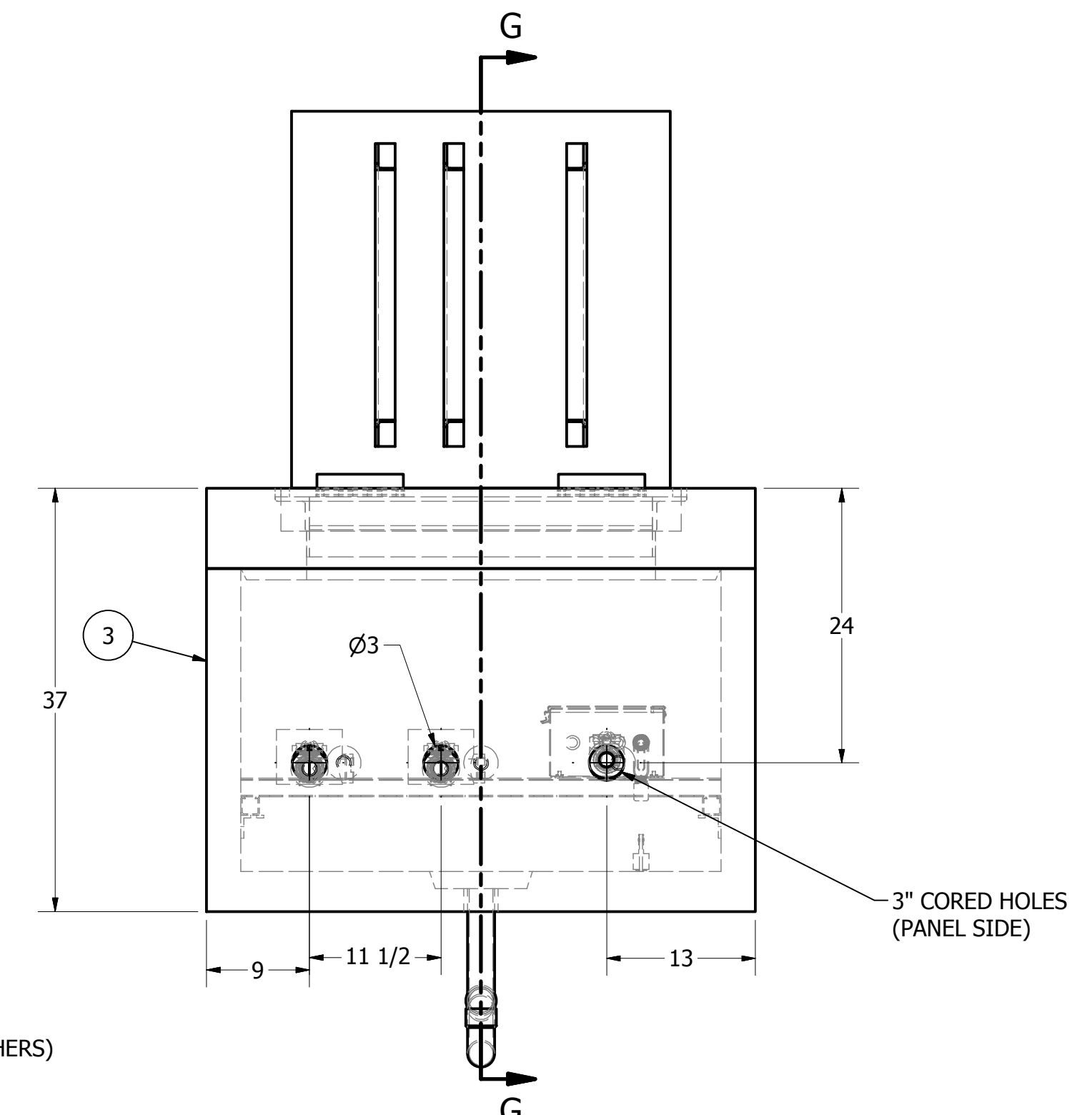
**FOR DESIGN REVIEW**



WALL BRACKET  
SCALE 1 / 6



SECTION G-G  
SCALE 1 / 12



FRONT VIEW  
SCALE 1 / 12

ALL MATERIALS SHOWN ON THIS SHEET WILL BE SUPPLIED BY ROMTEC UTILITIES AND DELIVERED TO THE SITE AFTER THE HOLE HAS BEEN EXCAVATED AND SHORED. THE CONTRACTOR SHALL SUPPLY A CRANE OF SUFFICIENT SIZE TO LOWER ALL THE CONCRETE PIECES INTO THE HOLE SAFELY. THE CONTRACTOR SHALL INSTALL THE WET WELL (AND VALVE VAULT AND METERING VAULT IF APPLICABLE). ROMTEC UTILITIES WILL PROVIDE A REPRESENTATIVE FOR TECHNICAL ASSISTANCE ON THE DAY OF INSTALLATION TO ANSWER ANY QUESTIONS THAT MAY ARISE. THE CONTRACTOR IS RESPONSIBLE FOR ALL PLUMBING AND ELECTRICAL CONNECTIONS AND INSTALLATION. ITEMS NOTED AS "BY OTHERS" WILL BE PROVIDED AND INSTALLED BY THE CONTRACTOR. ROMTEC UTILITIES WILL NOT INSTALL ANY OF THE COMPONENTS SHOWN ON THIS PAGE.

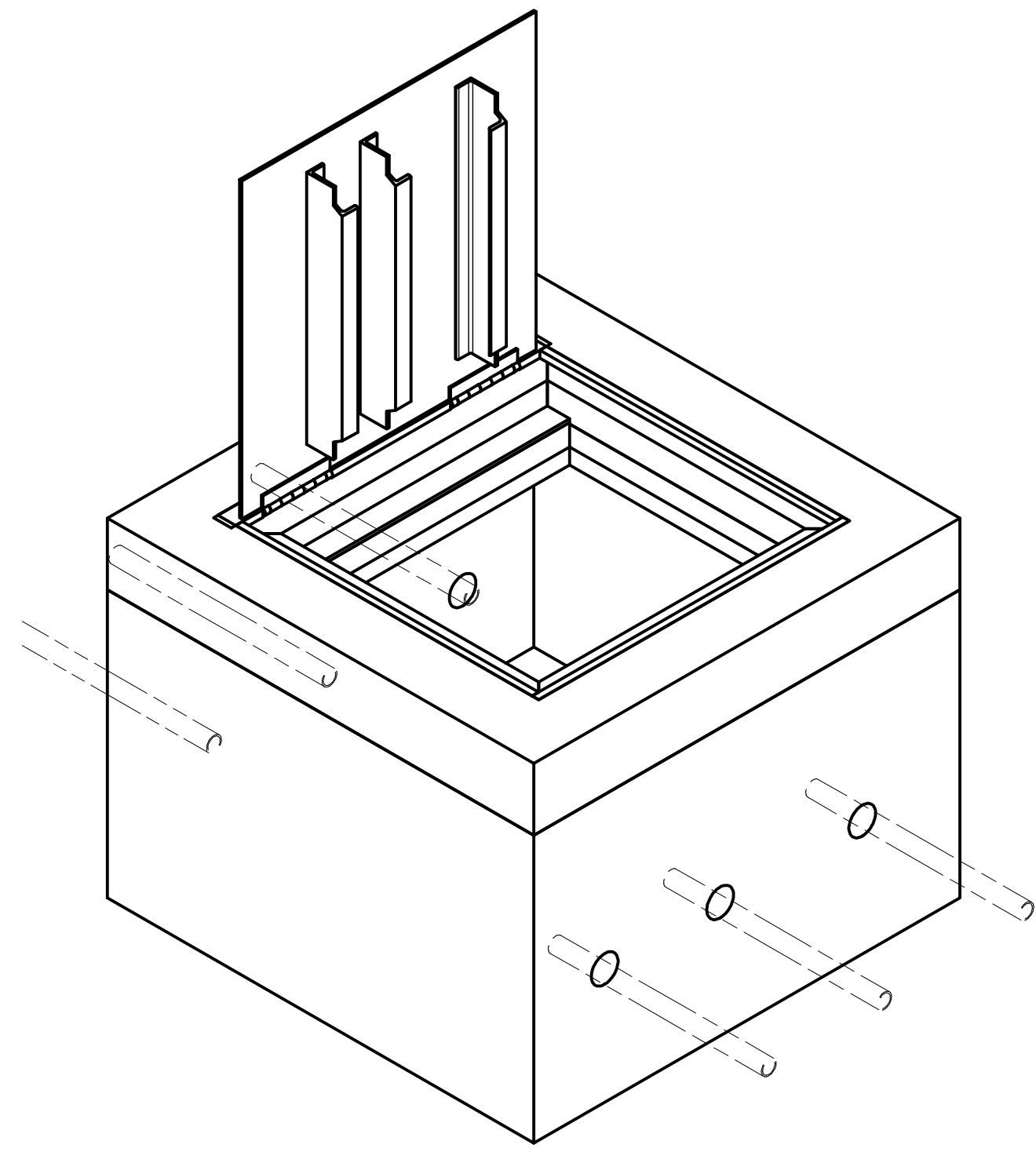
© 2018 ROMTEC INC. ALL RIGHTS RESERVED. THESE PLANS AND DRAWINGS MAY NOT BE REPRODUCED, ADAPTED, OR FURTHER DISTRIBUTED, AND NO COMPONENTS MAY BE CONSTRUCTED FROM THESE PLANS, WITHOUT WRITTEN PERMISSION OF ROMTEC, INC.

NOTE: ALL DIMENSIONS AND ELEVATIONS SHOWN ARE NOMINAL DIMENSIONS. IT IS THE RESPONSIBILITY OF THE ON-SITE CONTRACTOR OR ROMTEC UTILITIES CUSTOMER (NOT ROMTEC UTILITIES) TO VERIFY THE ACCURACY OF ANY CRITICAL DIMENSIONS OR ELEVATIONS PRIOR TO SETTING OR INSTALLING ANY EQUIPMENT.

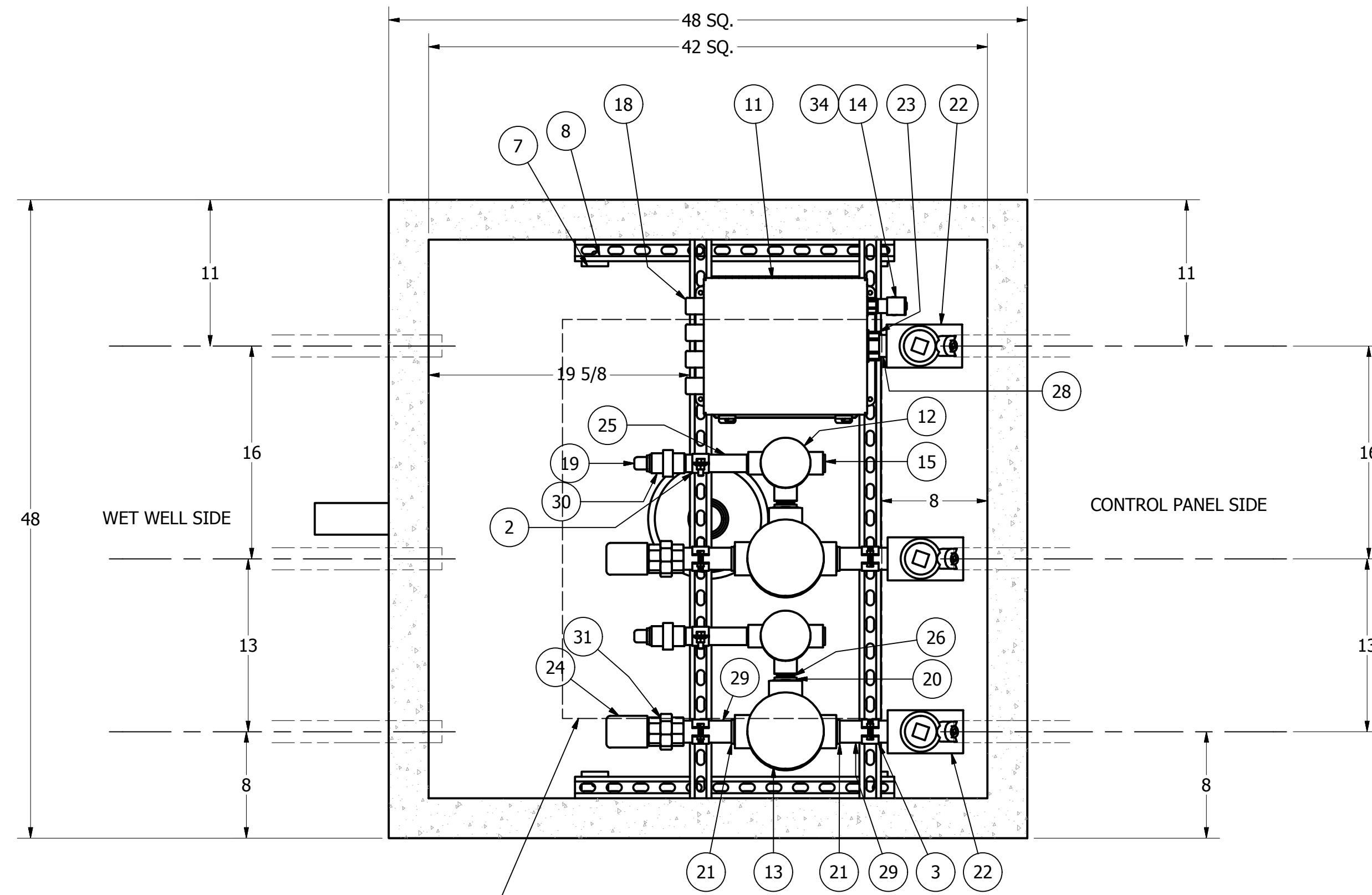
VERIFY SCALE	DATE	DESCRIPTION	BY
0 1"	REV	DATE	DESCRIPTION
DSN: KB/KS	REV	DATE	DESCRIPTION
DRN: KEVIN BOGAN	REV	DATE	DESCRIPTION
CKD:	REV	DATE	DESCRIPTION
DATE: 3-21-18	REV	DATE	DESCRIPTION

**ROMTEC UTILITIES**  
 18240 NORTH BANK ROAD  
 ROSEBURG, OREGON 97470  
 PHONE: (541) 496-9678  
 WWW.ROMTECUTILITIES.COM

PROJECT NAME  
 PROJECT LOCATION  
**JUNCTION BOX ASSEMBLY**  
 COMPONENT DRAWING



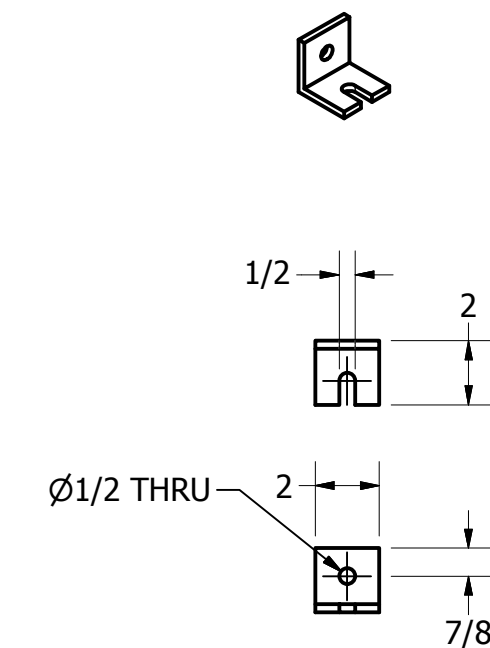
ISO VIEW  
SCALE 1 / 12



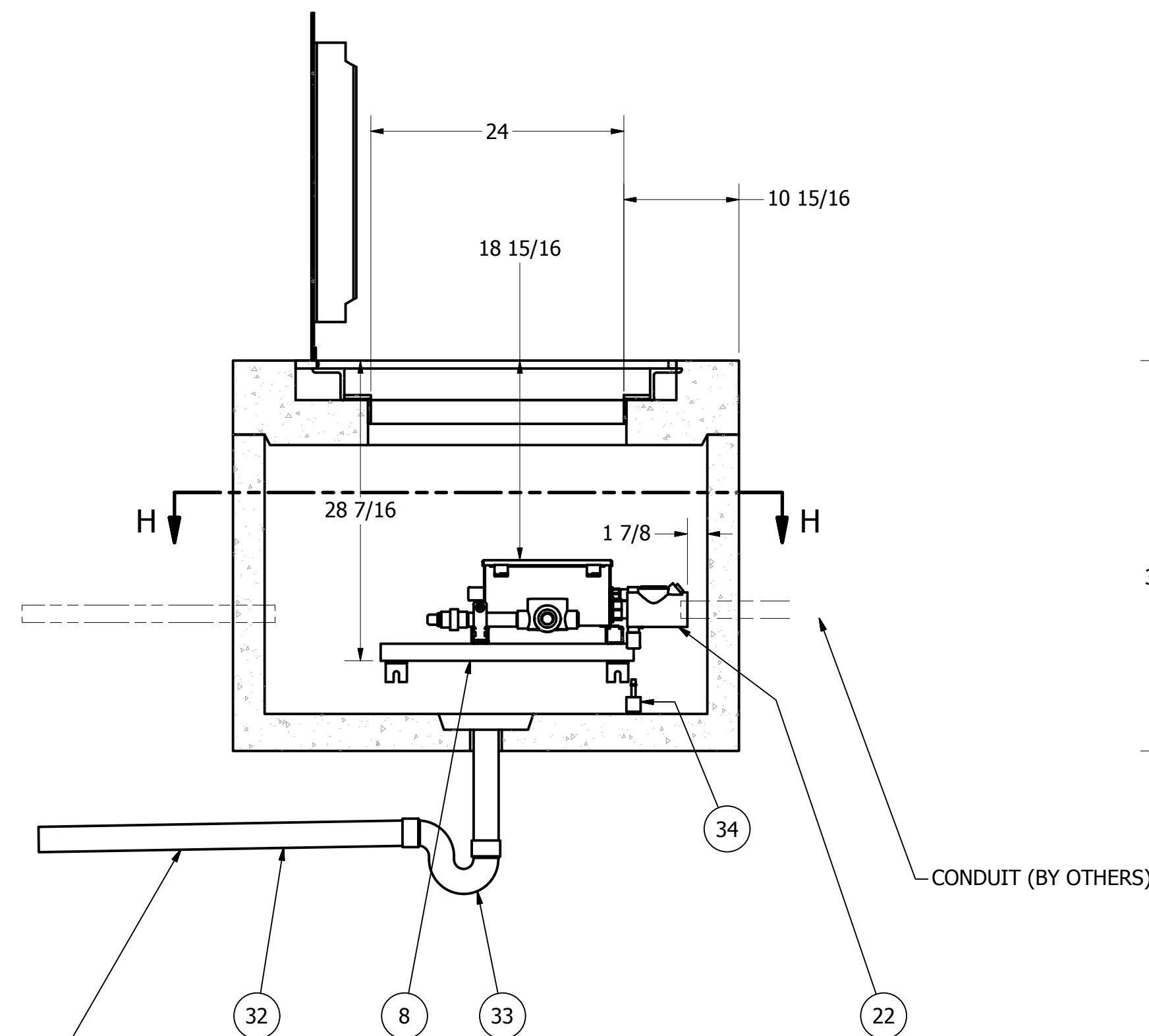
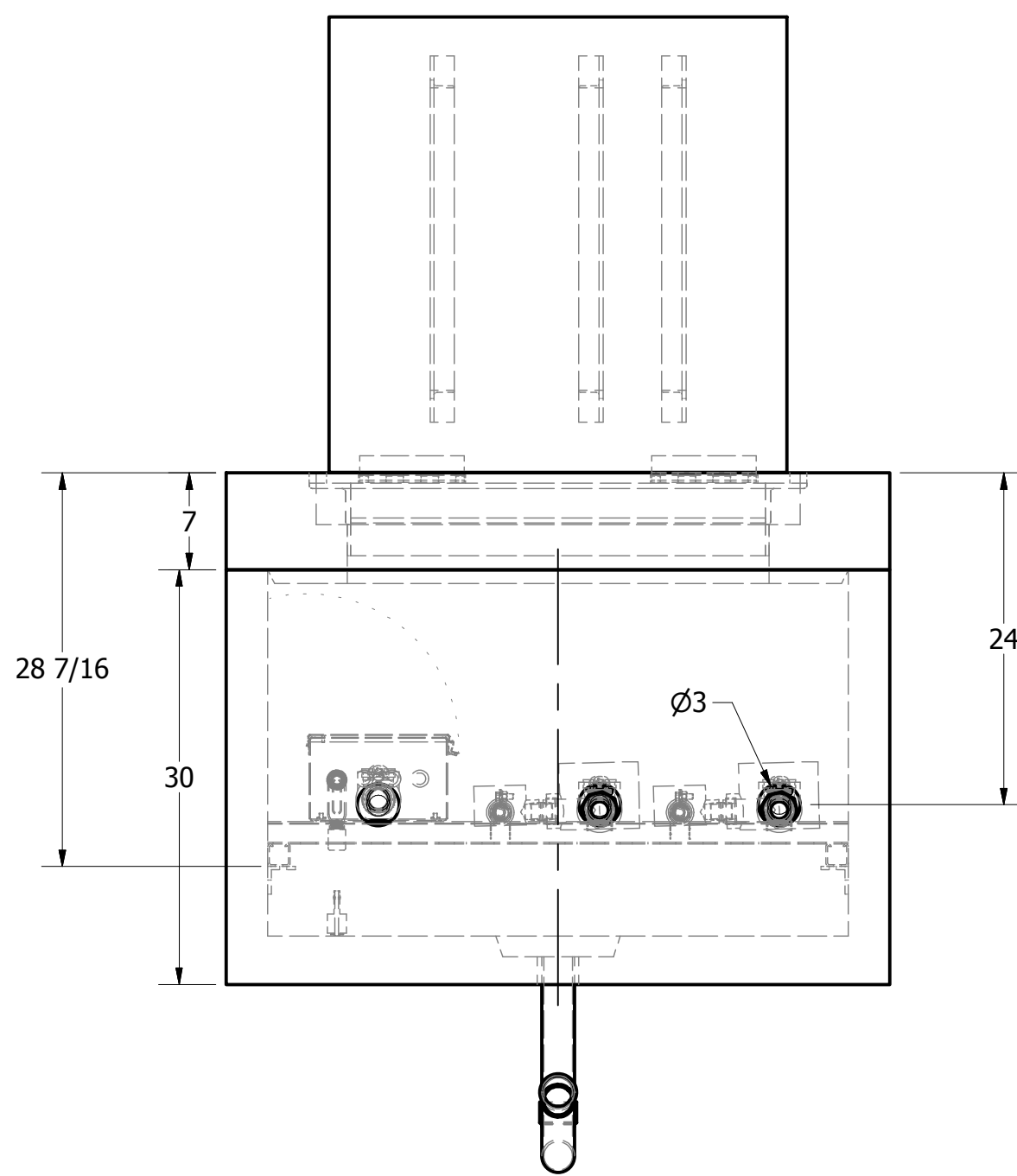
SECTION H-H  
SCALE 1 / 8

24" X 30"  
CLEAR OPENING

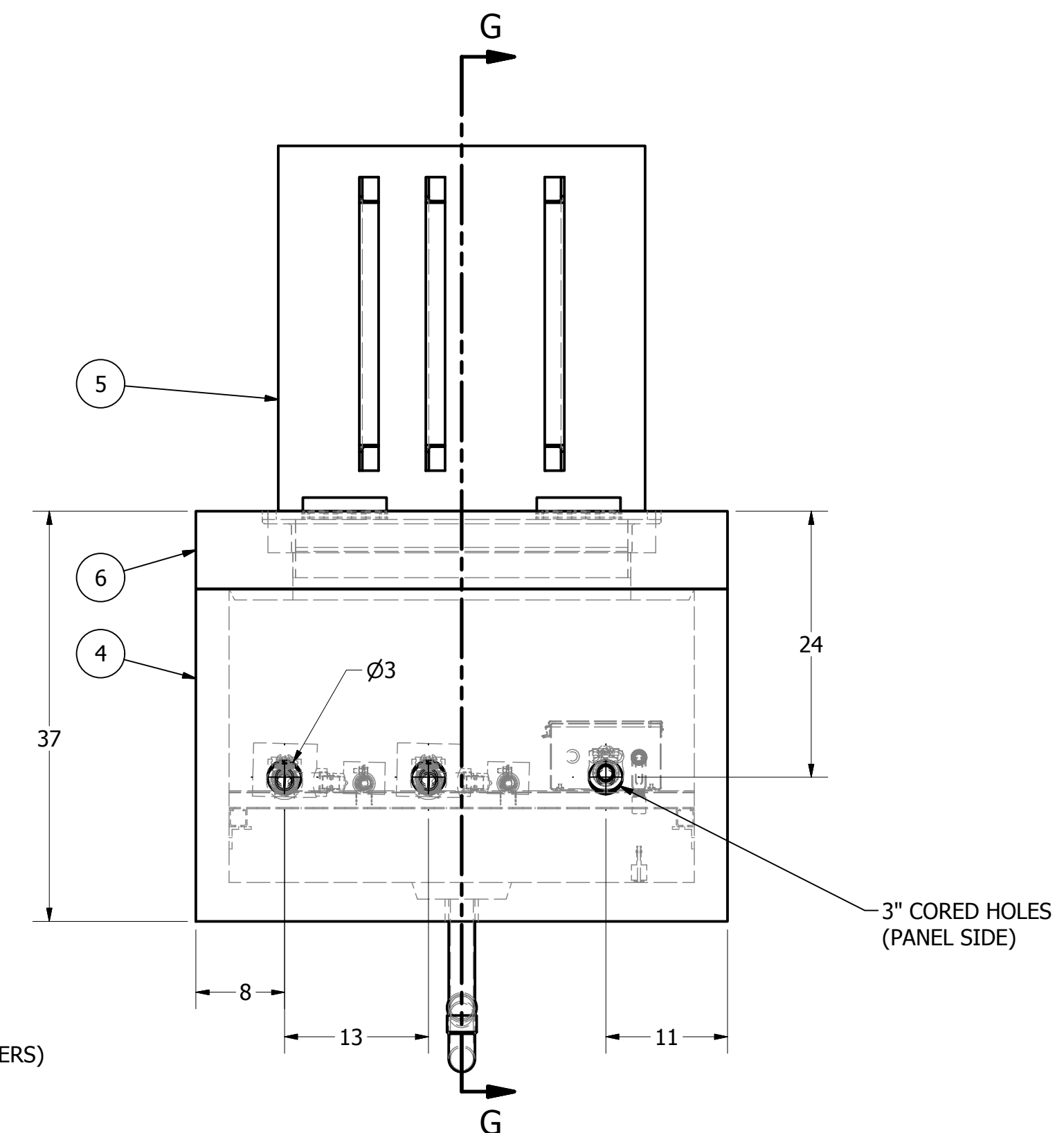
**FOR DESIGN REVIEW**



WALL BRACKET  
SCALE 1 / 6



SECTION G-G  
SCALE 1 / 12



FRONT VIEW  
SCALE 1 / 12

ALL MATERIALS SHOWN ON THIS SHEET WILL BE SUPPLIED BY ROMTEC UTILITIES AND DELIVERED TO THE SITE AFTER THE HOLE HAS BEEN EXCAVATED AND SHORED. THE CONTRACTOR SHALL SUPPLY A CRANE OF SUFFICIENT SIZE TO LOWER ALL THE CONCRETE PIECES INTO THE HOLE SAFELY. THE CONTRACTOR SHALL INSTALL THE WET WELL (AND VALVE VAULT AND METERING VAULT IF APPLICABLE). ROMTEC UTILITIES WILL PROVIDE A REPRESENTATIVE FOR TECHNICAL ASSISTANCE ON THE DAY OF INSTALLATION TO ANSWER ANY QUESTIONS THAT MAY ARISE. THE CONTRACTOR IS RESPONSIBLE FOR ALL PLUMBING AND ELECTRICAL CONNECTIONS AND INSTALLATION. ITEMS NOTED AS "BY OTHERS" WILL BE PROVIDED AND INSTALLED BY THE CONTRACTOR. ROMTEC UTILITIES WILL NOT INSTALL ANY OF THE COMPONENTS SHOWN ON THIS PAGE.

© 2018 ROMTEC INC. ALL RIGHTS RESERVED. THESE PLANS AND DRAWINGS MAY NOT BE REPRODUCED, ADAPTED, OR FURTHER DISTRIBUTED, AND NO COMPONENTS MAY BE CONSTRUCTED FROM THESE PLANS, WITHOUT WRITTEN PERMISSION OF ROMTEC, INC.

NOTE: ALL DIMENSIONS AND ELEVATIONS SHOWN ARE NOMINAL DIMENSIONS. IT IS THE RESPONSIBILITY OF THE ON-SITE CONTRACTOR OR ROMTEC UTILITIES CUSTOMER (NOT ROMTEC UTILITIES) TO VERIFY THE ACCURACY OF ANY CRITICAL DIMENSIONS OR ELEVATIONS PRIOR TO SETTING OR INSTALLING ANY EQUIPMENT.

REV	DATE	DESCRIPTION	BY

VERIFY SCALE  
UNLESS OTHERWISE NOTED  
ROMTEC UTILITIES  
18240 NORTH BANK ROAD  
ROSEBURG, OREGON 97470  
PHONE: (541) 496-9678  
WWW.ROMTECUTILITIES.COM

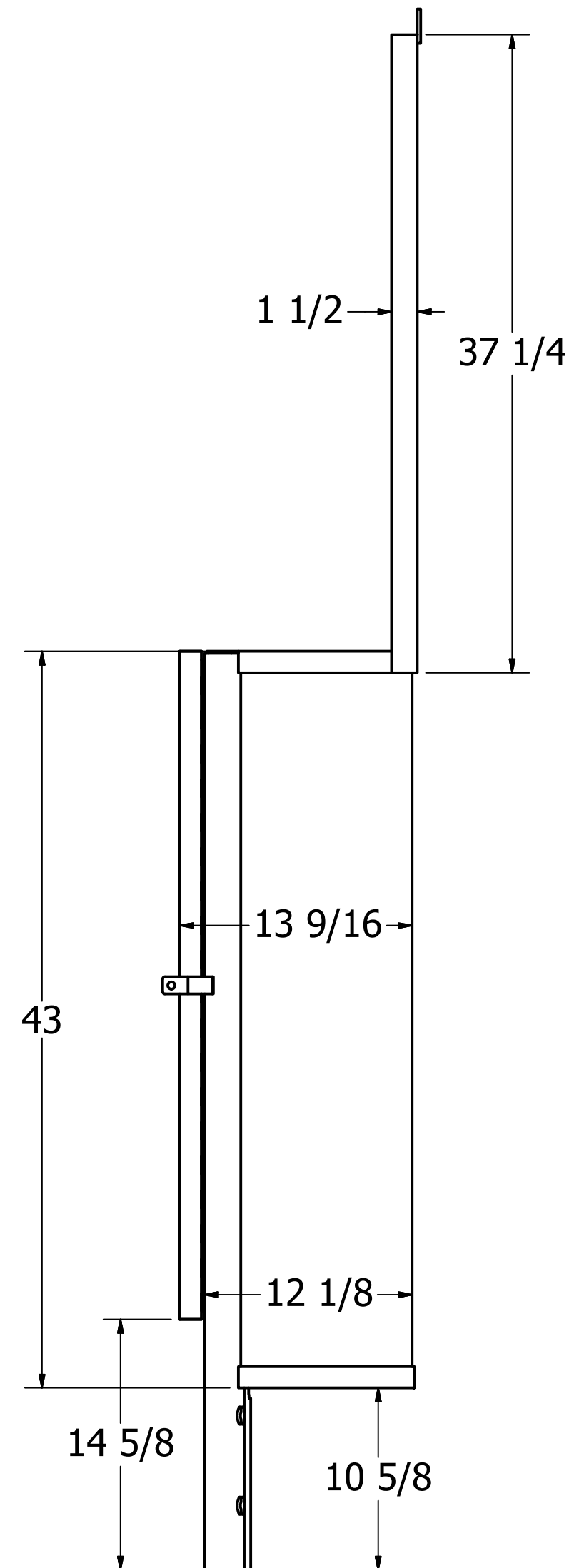
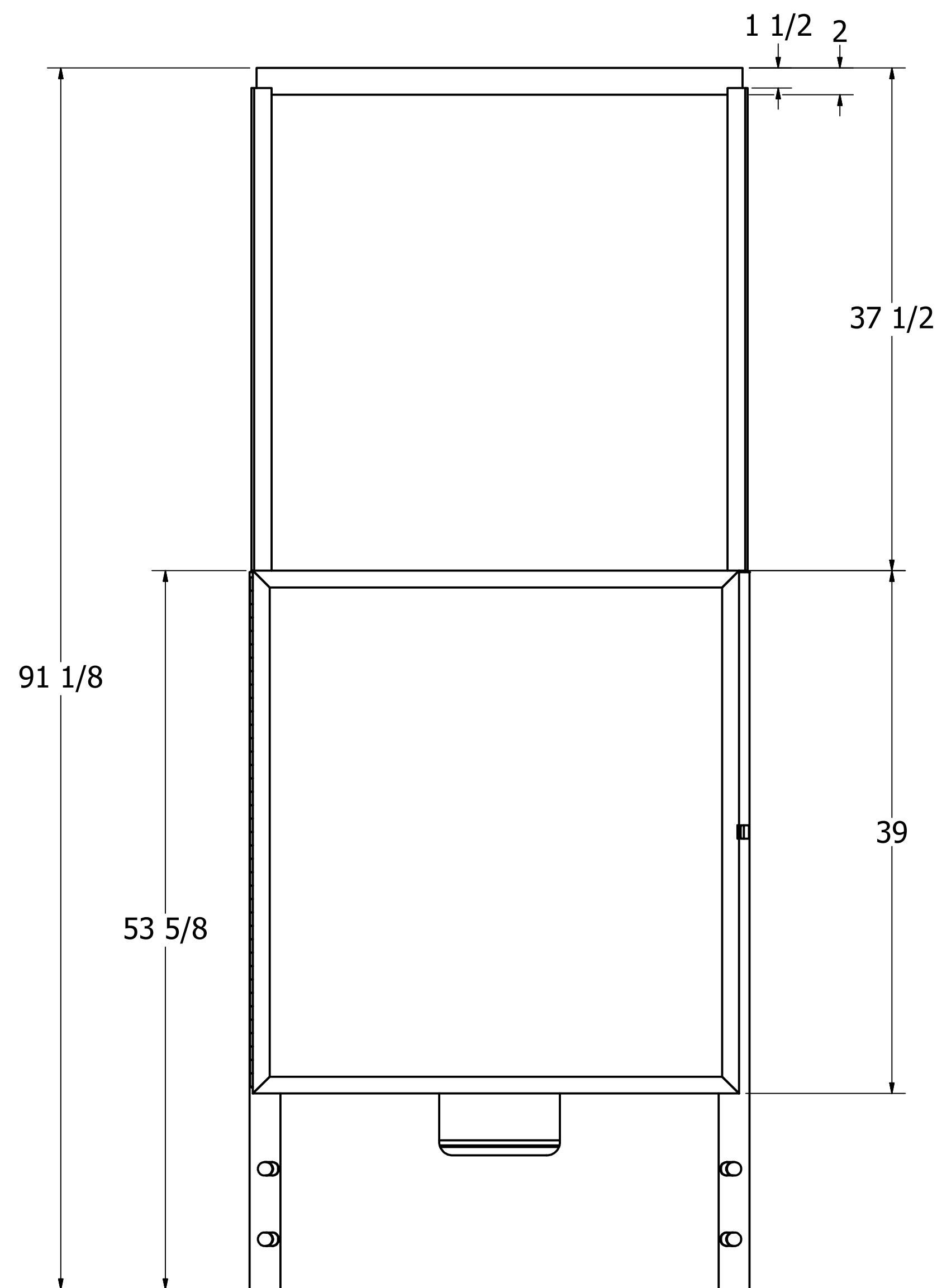
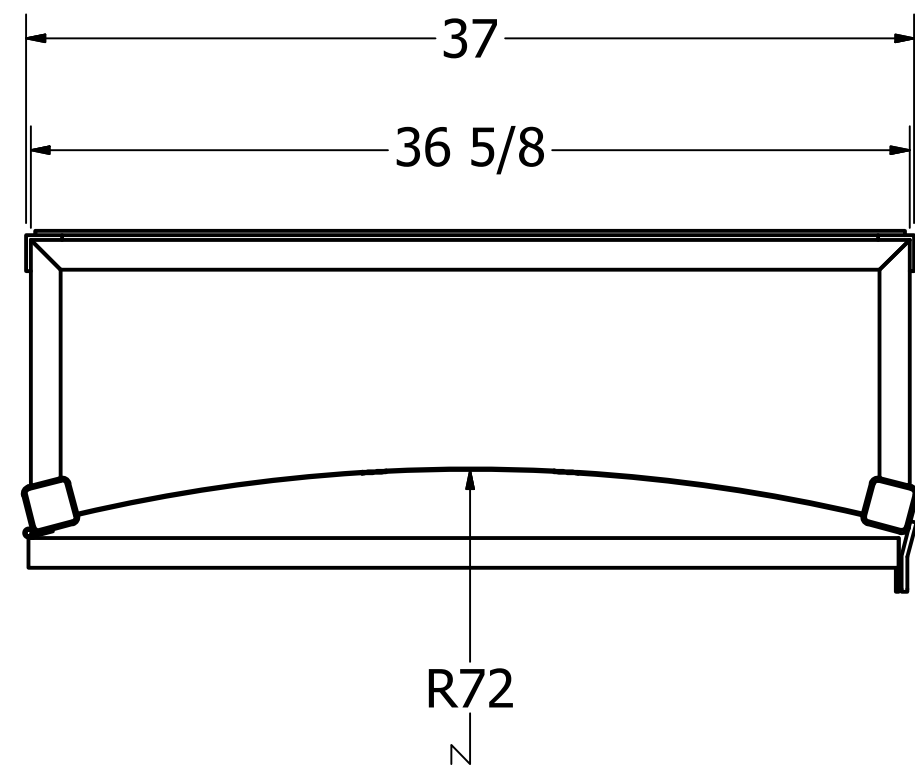
0 1" = 1"

DSN: KB/KS  
DRN: KEVIN BOGAN  
CKD: [blank]

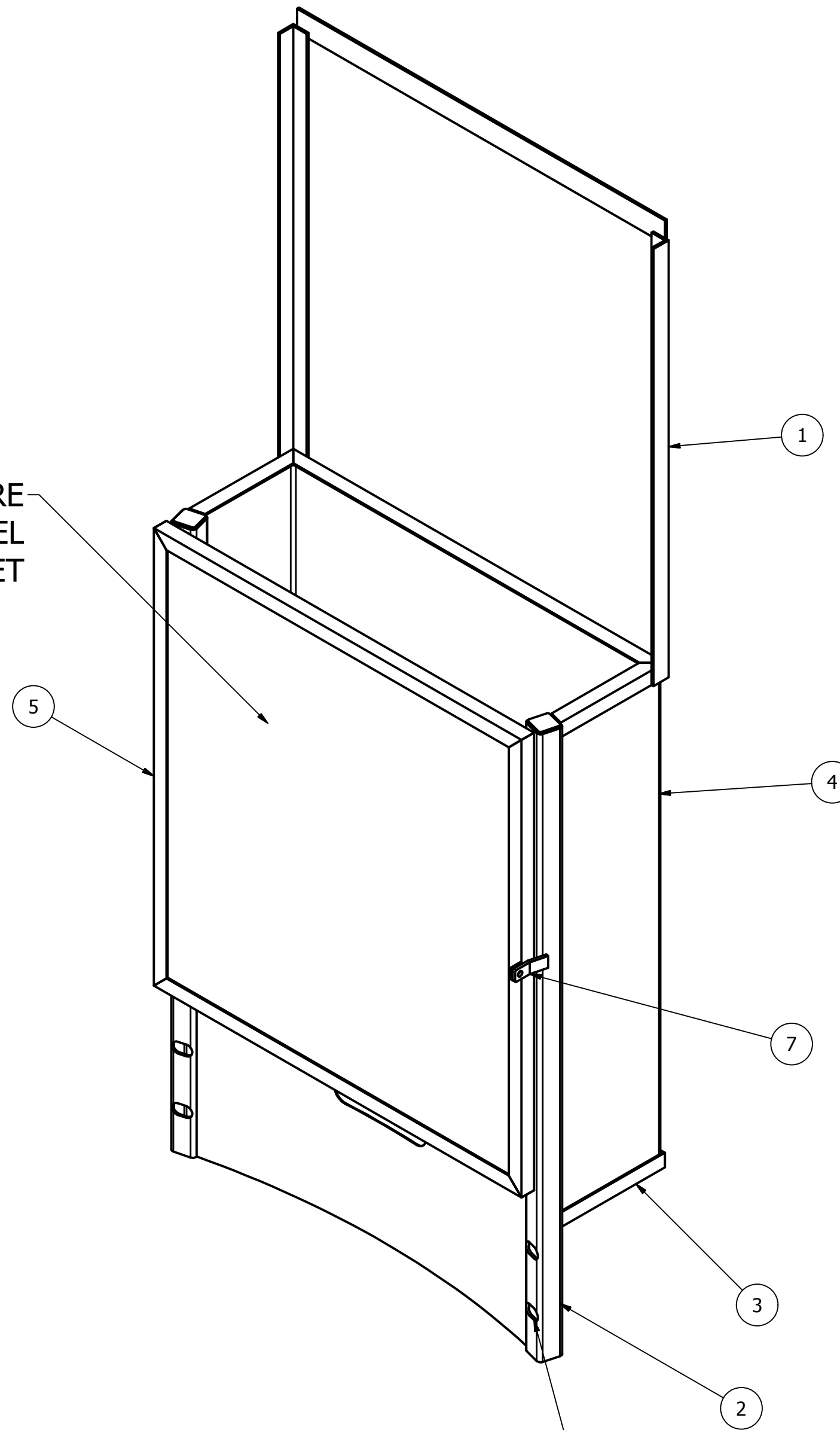
DATE: 3-21-18

**ROMTEC UTILITIES**  
18240 NORTH BANK ROAD  
ROSEBURG, OREGON 97470  
PHONE: (541) 496-9678  
WWW.ROMTECUTILITIES.COM

**PROJECT NAME**  
PROJECT LOCATION  
**JUNCTION BOX ASSEMBLY**  
**COMPONENT DRAWING**



ALL 4 SIDES ARE  
STAINLESS STEEL  
PERFORATED SHEET



INSTALL SS SPACERS WHEN MOUNTING TO FILL THE  
GAP BETWEEN THE STAND AND THE TOP SLAB.

PART NUMBER 13-DS3636SS  
304 STAINLESS STEEL  
DISCONNECT PANEL STAND

VERIFY SCALE BAR IS ONE INCH ON ORIGINAL DRAWING	1"
IF NOT ONE INCH ON SCALE, ACCORDINGLY	
DSN - AD	
DRN - AD	
CKD - AD	
DATE - 1-11-18	
1	REV
	DESCRIPTION
	REVISION HISTORY
	DATE
	APPROV

**ROMTEC UTILITIES**  
18240 NORTH BANK ROAD  
ROSEBURG, OREGON 97470  
(541) 496-9678  
FAX (541) 496-0804

DISCONNECT PANEL  
36" X 36" X 12" - 8FT WW

SHEET  
1 OF

JOB NUMBER  
RMTC