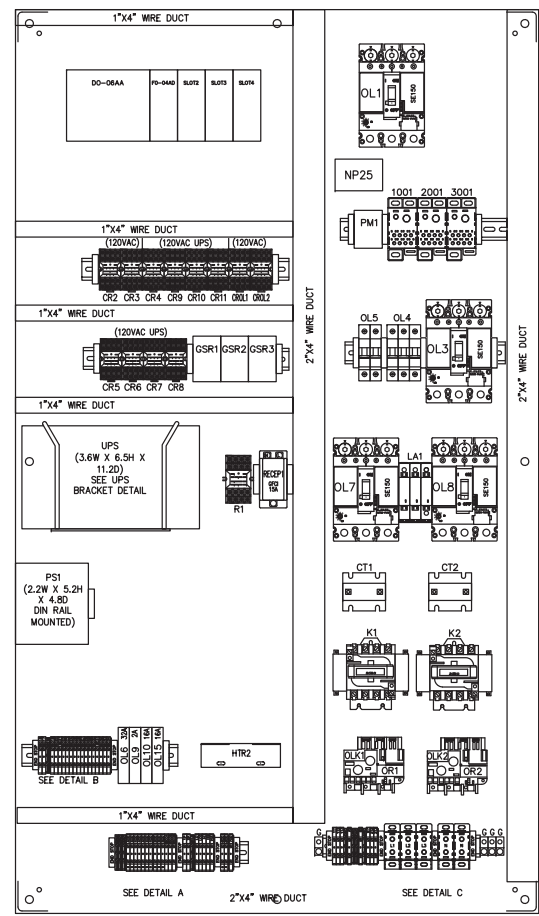


FRONT VIEW
SWING PANEL



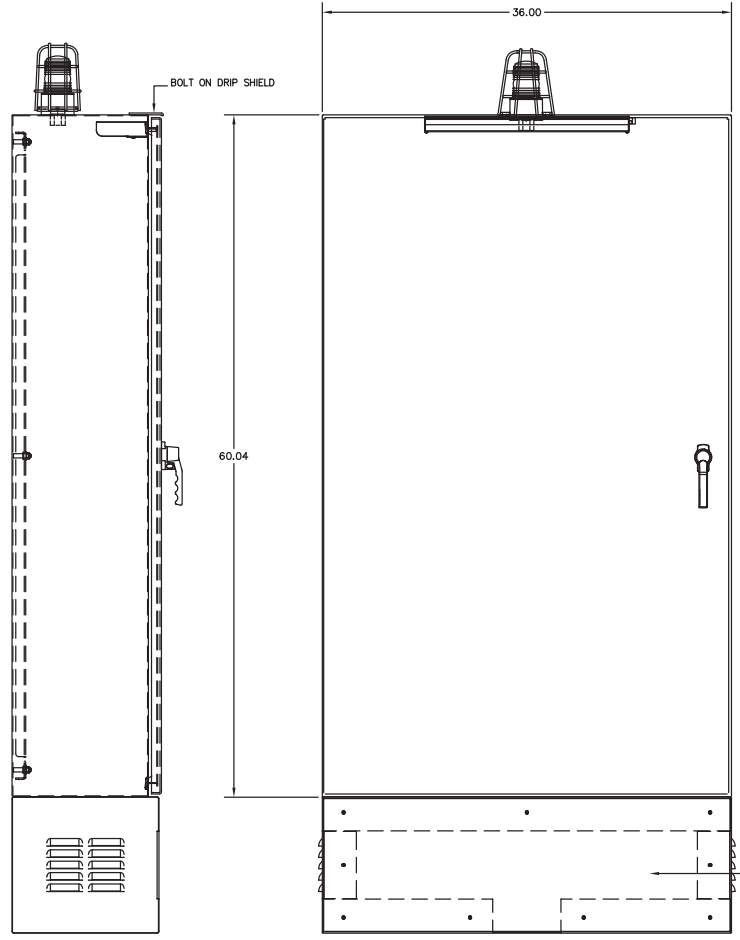
FRONT VIEW
SUB-PANEL

NO.	REV.	DATE	BY	DESCRIPTION
1	2-26-09		SW	REMOVED TRANSFORMER CHANGED A.C.
2			SW	
3			SW	
4			SW	
5			SW	
6			SW	
7			SW	
8			SW	
9			SW	
10			SW	
11			SW	
12			SW	
13			SW	
14			SW	
15			SW	
16			SW	
17			SW	
18			SW	
19			SW	
20			SW	

UL LISTED LIFT STATION CONTROL PANEL & PUMP DISCONNECT PANEL-DUPLEX PUMPS WITH OPTIONAL PERMANENT ON-SITE ELECTRICAL GENERATOR.

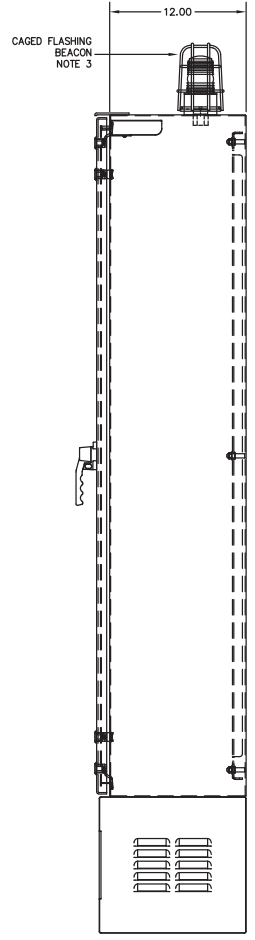
ROMTEC UTILITIES
 18240 NORTH BANK ROAD
 ROSEBURG, OR 97470
 (541)-496-3541
 FAX (541)-496-0803
 WWW.ROMTECUTILITIES.COM

HAZEL DEL SEWER DISTRICT
 BOWYER MARKETPLACE
 CONTROL PANEL LAYOUT
 ELECTRICAL CONTROLS
 DUPLEX LIFT STATION SYSTEM

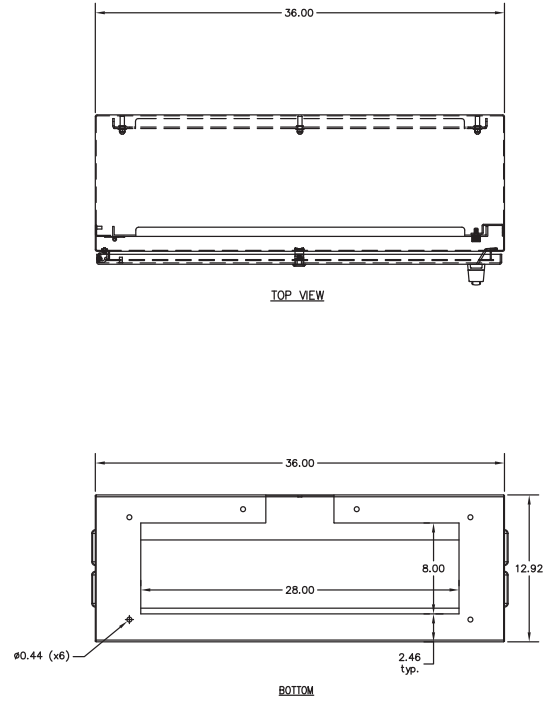


L.H. SIDE VIEW

FRONT VIEW



R.H. SIDE VIEW



REMOVABLE VENTILATED SIDE COVER, BOTH SIDES

BY	
DATE	
DESCRIPTION	
REVISIONS	
REV	DATE
8-16-09	
DSN. SW	
DRN. SW	
CHK. SW	
8-16-09	
UL LISTED LIFT STATION CONTROL PANEL & PUMP DISCONNECT PANEL-DUPLEX PUMPS WITH OPTIONAL PERMANENT ON-SITE ELECTRICAL GENERATOR.	
ROMTEC 16240 NORTH BANK ROAD BOYER MARKETPLACE BOYER, OH 44804 (541) 493-3541 FAX (541) 496-0803 WWW.ROMTECUTILITIES.COM	
HAZEL DEL SEWER DISTRICT BOYER MARKETPLACE	
CONTROL PANEL LAYOUT ELECTRICAL CONTROLS DUPLEX LIFT STATION SYSTEM	
SHEET	
2 OF 2	
JOB NUMBER	