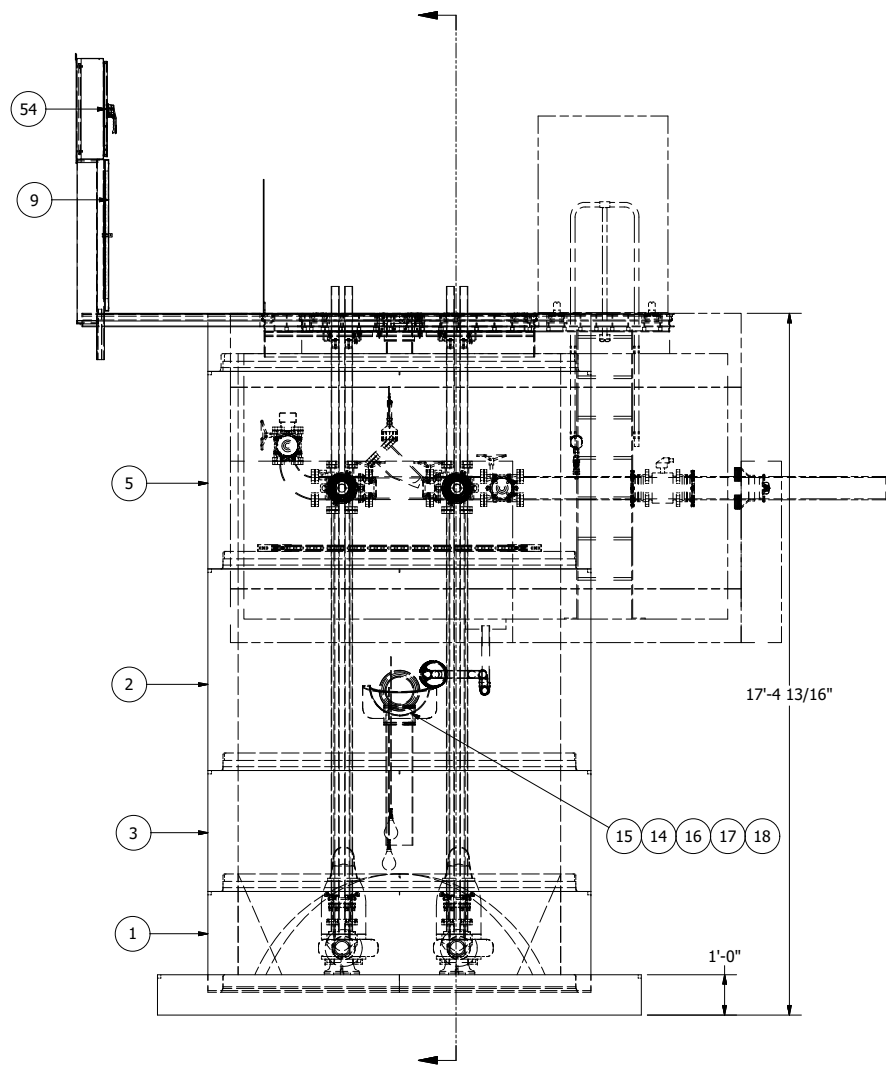
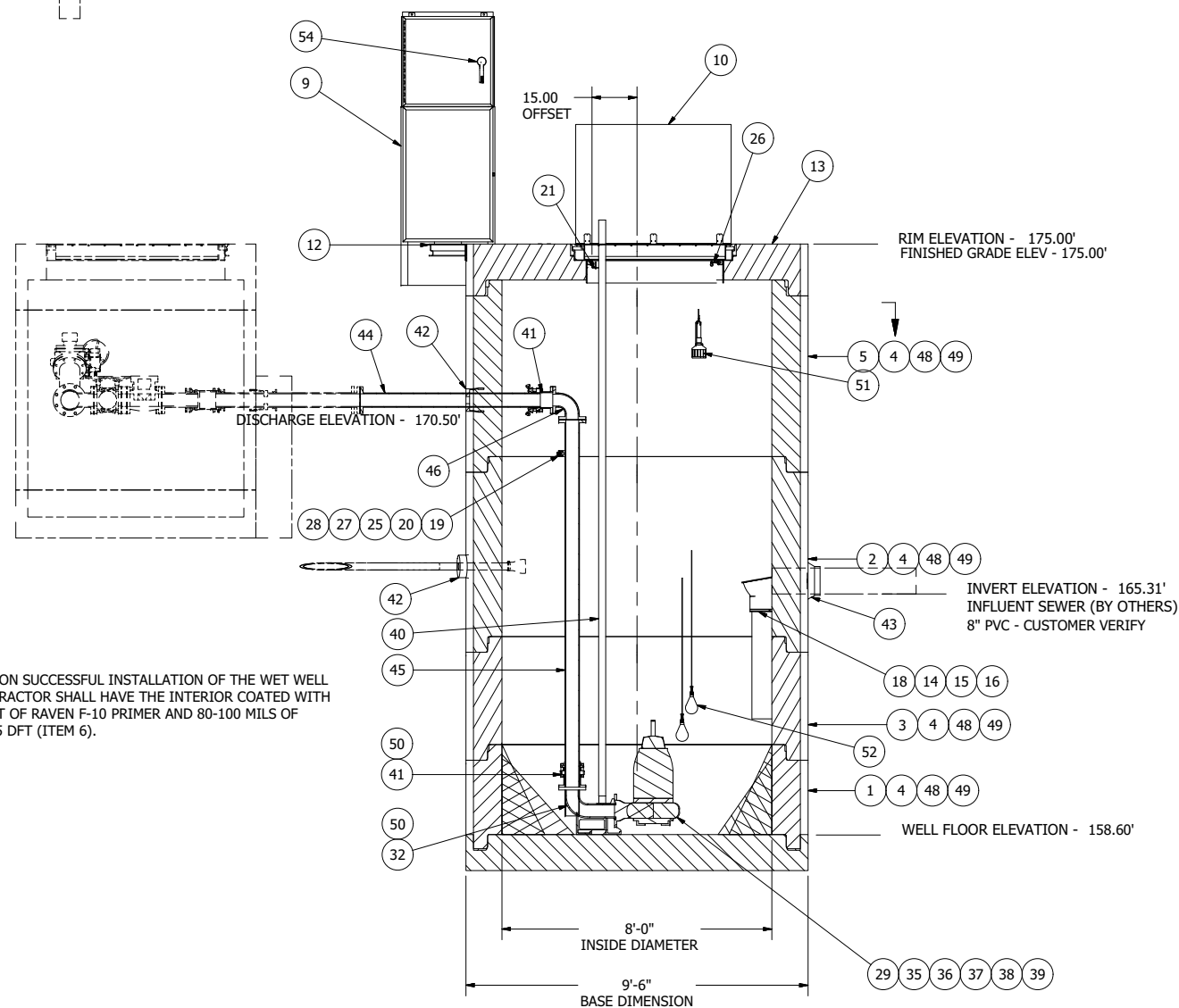


**NOTE: WET WELL TOP SLAB IS H-20 OCCASIONAL TRAFFIC RATED**



NOTE: UPON SUCCESSFUL INSTALLATION OF THE WET WELL THE CONTRACTOR SHALL HAVE THE INTERIOR COATED WITH 5 MILS DFT OF RAVEN F-10 PRIMER AND 80-100 MILS OF RAVEN 405 DFT (ITEM 6).



NOTE: USE ITEM 50 ON ALL THREADED FASTENERS.

NOTE: ALL DIMENSIONS AND ELEVATIONS SHOWN ARE NOMINAL DIMENSIONS. IT IS THE RESPONSIBILITY OF THE ON-SITE CONTRACTOR OR ROMTEC UTILITIES CUSTOMER (NOT ROMTEC UTILITIES) TO VERIFY THE ACCURACY OF ANY CRITICAL DIMENSIONS OR ELEVATIONS PRIOR TO SETTING OR INSTALLING ANY EQUIPMENT.

ALL MATERIALS SHOWN ON THIS SHEET WILL BE SUPPLIED BY ROMTEC UTILITIES AND DELIVERED TO THE SITE AFTER THE HOLE HAS BEEN EXCAVATED AND SHORED. THE CONTRACTOR SHALL SUPPLY A CRANE OF SUFFICIENT SIZE TO LOWER ALL THE CONCRETE PIECES INTO THE HOLE SAFELY. THE CONTRACTOR SHALL INSTALL THE WET WELL (AND VALVE VAULT AND METERING VAULT IF APPLICABLE). ROMTEC UTILITIES WILL PROVIDE A REPRESENTATIVE FOR TECHNICAL ASSISTANCE ON THE DAY OF INSTALLATION TO ANSWER ANY QUESTIONS THAT MAY ARISE. THE CONTRACTOR IS RESPONSIBLE FOR ALL PLUMBING AND ELECTRICAL CONNECTIONS AND INSTALLATION. ITEMS NOTED AS "BY OTHERS" WILL BE PROVIDED AND INSTALLED BY THE CONTRACTOR. ROMTEC UTILITIES WILL NOT INSTALL ANY OF THE COMPONENTS SHOWN ON THIS PAGE.

© 2010 ROMTEC INC. ALL RIGHTS RESERVED. THESE PLANS AND DRAWINGS MAY NOT BE REPRODUCED, ADAPTED, OR FURTHER DISTRIBUTED, AND NO COMPONENTS MAY BE CONSTRUCTED FROM THESE PLANS, WITHOUT WRITTEN PERMISSION OF ROMTEC, INC.

VERIFY SCALE  
BAR IS ONE INCH ON ORIGINAL DRAWING  
0 IF NOT ONE INCH ON THIS SHEET, ADJUST SCALES ACCORDINGLY  
1" SCALE

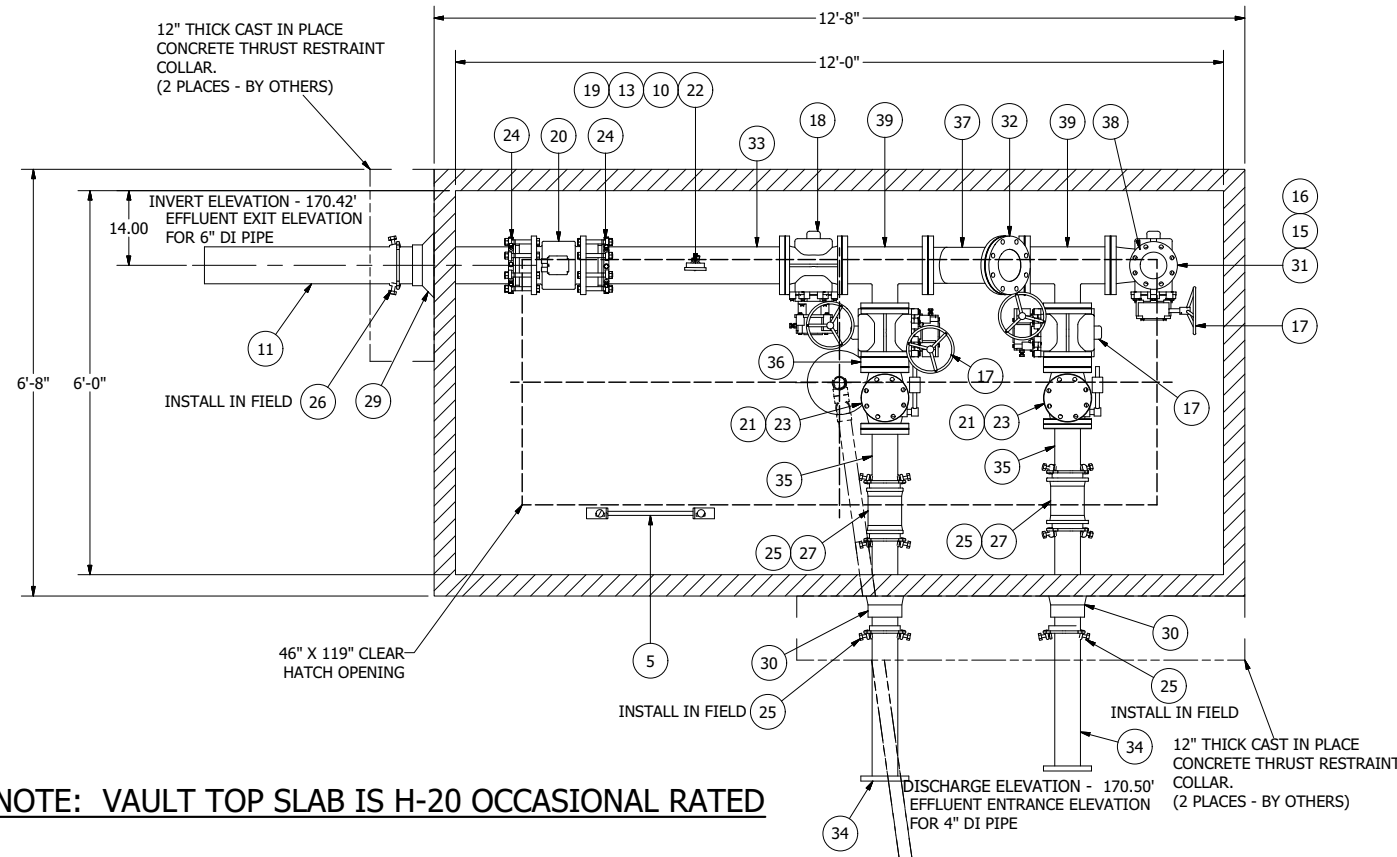
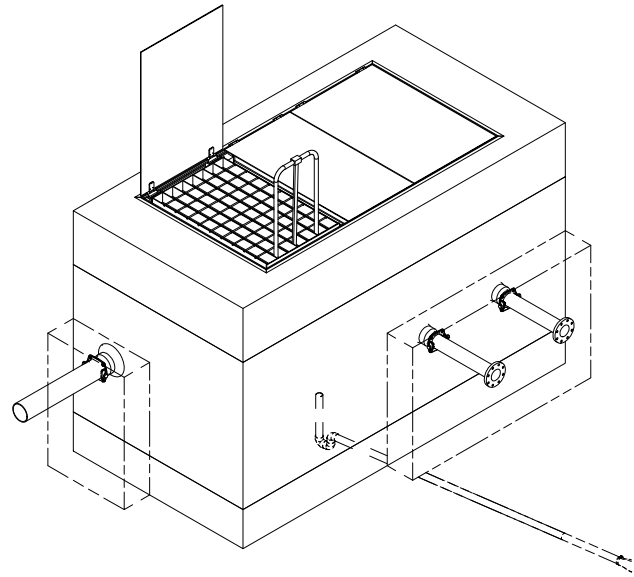
**COMPONENT DRAWING**

**ROMTEC UTILITIES**  
18240 NORTH BANK ROAD  
ROSEBURG, OREGON 97470  
(541) 496-9678  
FAX (541) 496-0804

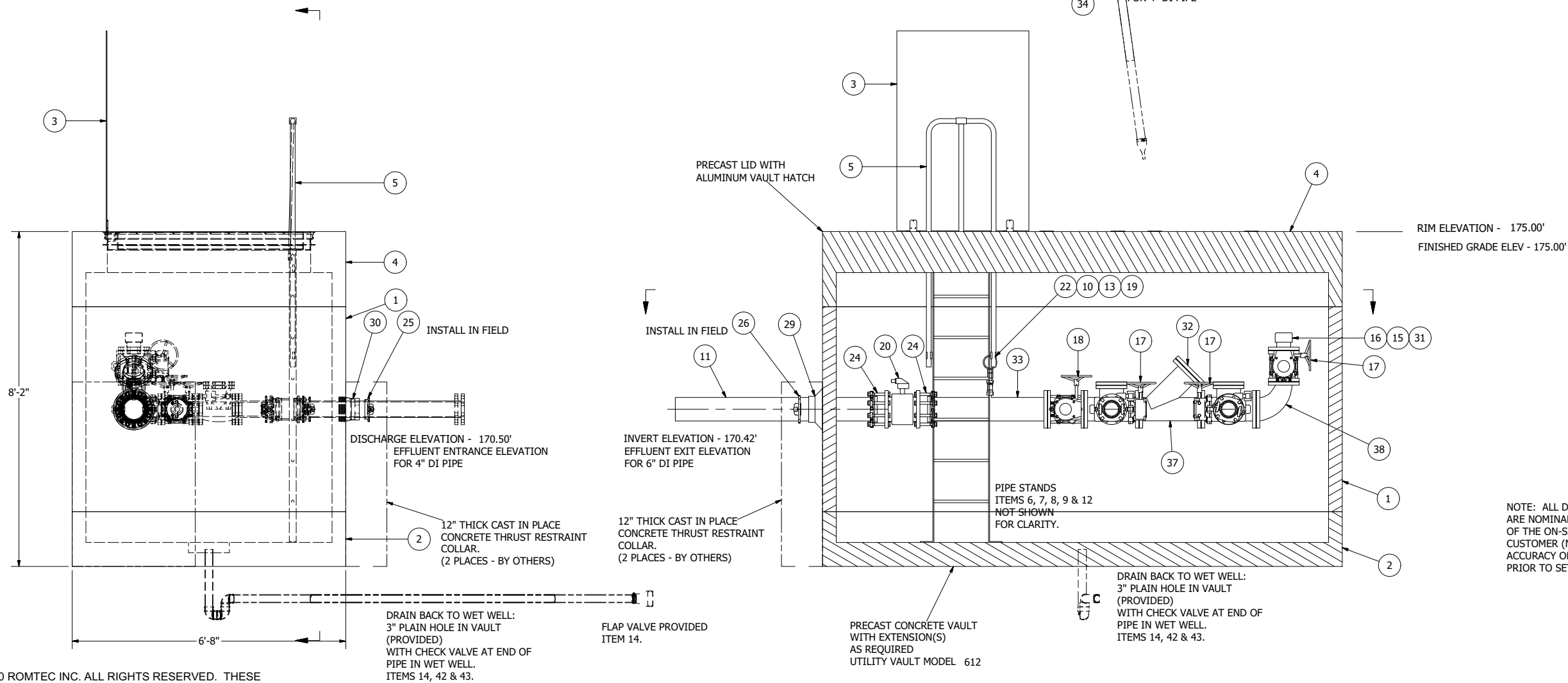
CRWWD  
STEVE BACON  
**NE 139TH STREET**  
**4" - 8" DIA WET WELL**

SHEET  
**1 OF 2**  
JOB NUMBER  
**RMTC 0000**

REV	DESCRIPTION	DATE	APPROV
6	UPDATE FOR PRODUCTION LAUNCH	3/17/11	AD
5	CHANGES PER 3/11/11 COMMENTS	3/15/11	AD
4	UPDATE PER 2/14/11 COMMENTS	2/9/11	AD
3	UPDATE PER 10/14/10 COMMENTS	10/27/10	AM
2	ADDED RAVEN COATING & DISCONNECT PANEL	07/28/10	AM
1	COMPONENT DRAWING	07/14/10	AM



**NOTE: VAULT TOP SLAB IS H-20 OCCASIONAL RATED**



NOTE: ALL DIMENSIONS AND ELEVATIONS SHOWN ARE NOMINAL DIMENSIONS. IT IS THE RESPONSIBILITY OF THE ON-SITE CONTRACTOR OR ROMTEC UTILITIES CUSTOMER (NOT ROMTEC UTILITIES) TO VERIFY THE ACCURACY OF ANY CRITICAL DIMENSIONS OR ELEVATIONS PRIOR TO SETTING OR INSTALLING ANY EQUIPMENT.

© 2010 ROMTEC INC. ALL RIGHTS RESERVED. THESE PLANS AND DRAWINGS MAY NOT BE REPRODUCED, ADAPTED, OR FURTHER DISTRIBUTED, AND NO COMPONENTS MAY BE CONSTRUCTED FROM THESE PLANS, WITHOUT WRITTEN PERMISSION OF ROMTEC, INC.

REV	DESCRIPTION	DATE	APPROV
4	UPDATE FOR PRODUCTION LAUNCH	3/17/11	AD
3	UPDATE PER 2/4/11 COMMENTS	2/9/11	AD
2	UPDATE PER 10/14/10 COMMENTS	10/28/10	AM
1	COMPONENT DRAWING	07/14/10	AM

DSN	DRN	AM	REV	DESCRIPTION	DATE	APPROV
0	1"	0	0	VERIFY SCALE BAR IS ONE INCH ON ORIGINAL DRAWING		
				IF NOT ONE INCH ON THIS SHEET, ADJUST SIZES ACCORDINGLY		

CKD	DATE	REVISION HISTORY
	07/14/10	

**COMPONENT DRAWING**

**ROMTEC UTILITIES**  
 18240 NORTH BANK ROAD  
 ROSEBURG, OREGON 97470  
 (541) 496-9678  
 FAX (541) 496-0804

CR/W/D  
 STEVE BACON  
 NE 139TH STREET  
 4"-6" - 612 VALVE VAULT

SHEET  
**2 OF 2**  
 JOB NUMBER  
 RMTC  
 0000