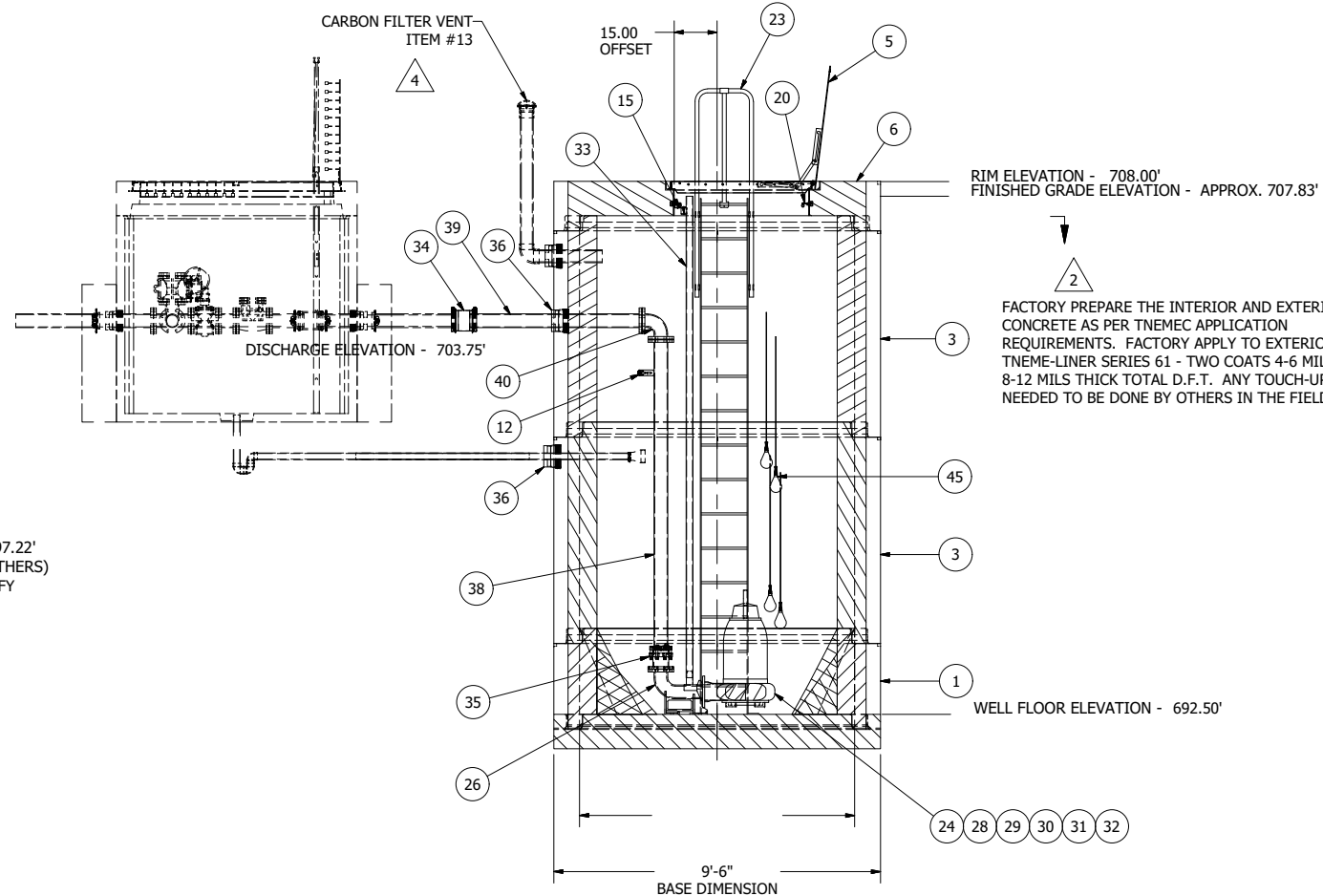
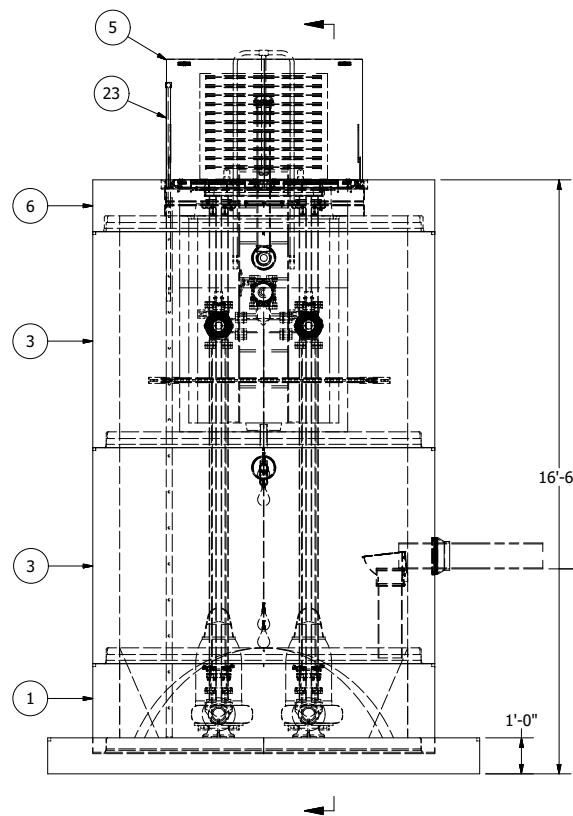


NOTE: WET WELL TOP SLAB IS H-20 OCCASIONAL TRAFFIC RATED



FACTORY PREPARE THE INTERIOR AND EXTERIOR CONCRETE AS PER TNEPEC APPLICATION REQUIREMENTS. FACTORY APPLY TO EXTERIOR TNEPEC-LINER SERIES 61 - TWO COATS 4-6 MILS THICK. 8-12 MILS THICK TOTAL D.F.T. ANY TOUCH-UP NEEDED TO BE DONE BY OTHERS IN THE FIELD.

NOTE: ALL DIMENSIONS AND ELEVATIONS SHOWN ARE NOMINAL DIMENSIONS. IT IS THE RESPONSIBILITY OF THE ON-SITE CONTRACTOR OR ROMTEC UTILITIES CUSTOMER (NOT ROMTEC UTILITIES) TO VERIFY THE ACCURACY OF ANY CRITICAL DIMENSIONS OR ELEVATIONS PRIOR TO SETTING OR INSTALLING ANY EQUIPMENT.

ALL MATERIALS SHOWN ON THIS SHEET WILL BE SUPPLIED BY ROMTEC UTILITIES AND DELIVERED TO THE SITE AFTER THE HOLE HAS BEEN EXCAVATED AND SHORED. THE CONTRACTOR SHALL SUPPLY A CRANE OF SUFFICIENT SIZE TO LOWER ALL THE CONCRETE PIECES INTO THE HOLE SAFELY. THE CONTRACTOR SHALL INSTALL THE WET WELL (AND VALVE VAULT AND METERING VAULT IF APPLICABLE). ROMTEC UTILITIES WILL PROVIDE A REPRESENTATIVE FOR TECHNICAL ASSISTANCE ON THE DAY OF INSTALLATION TO ANSWER ANY QUESTIONS THAT MAY ARISE. THE CONTRACTOR IS RESPONSIBLE FOR ALL PLUMBING AND ELECTRICAL CONNECTIONS AND INSTALLATION. ITEMS NOTED AS "BY OTHERS" WILL BE PROVIDED AND INSTALLED BY THE CONTRACTOR. ROMTEC UTILITIES WILL NOT INSTALL ANY OF THE COMPONENTS SHOWN ON THIS PAGE.

© 2009 ROMTEC INC. ALL RIGHTS RESERVED. THESE PLANS AND DRAWINGS MAY NOT BE REPRODUCED, ADAPTED, OR FURTHER DISTRIBUTED, AND NO COMPONENTS MAY BE CONSTRUCTED FROM THESE PLANS, WITHOUT WRITTEN PERMISSION OF ROMTEC, INC.

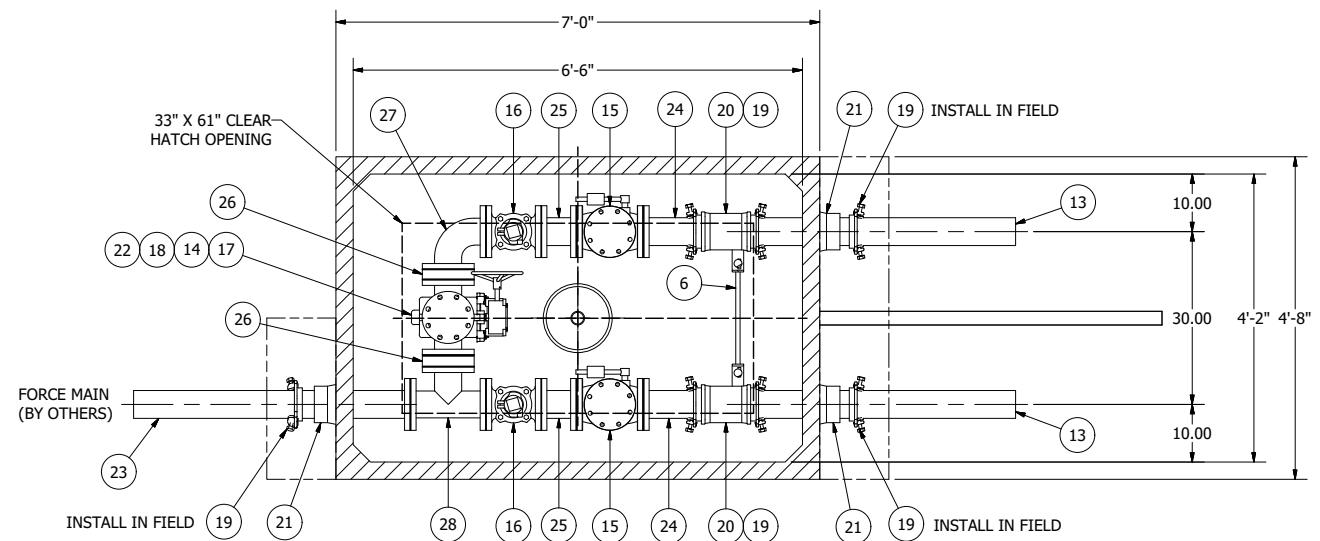
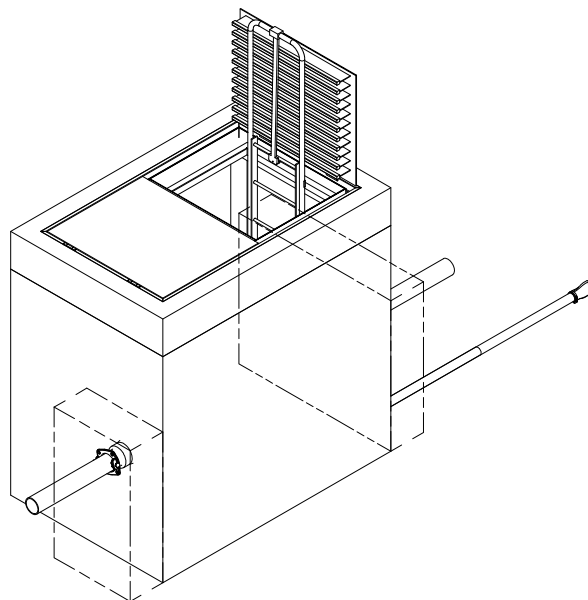
REV	DESCRIPTION	DATE	APPROV
1	COMPONENT DRAWING	10/23/09	AM
2	ADDED EXTERIOR COATING NOTE - ADDED TO INTERIOR COATING. CHANGED LADDER TO STAINLESS STEEL PER 12/11/09 COMMENTS	12/15/09	AD
3	VALVE VAULT WAS 687	01/28/10	AM
4	ADDED PASSIVE ODOR CONTROL VENT	2-10-10	AD
5	ADDED INTERIOR COATING TO BOM	2/16/10	AM
6	ELEVATION AND ORIENTATION CHNG PER COMMENTS	02/17/10	AM

COMPONENT DRAWING

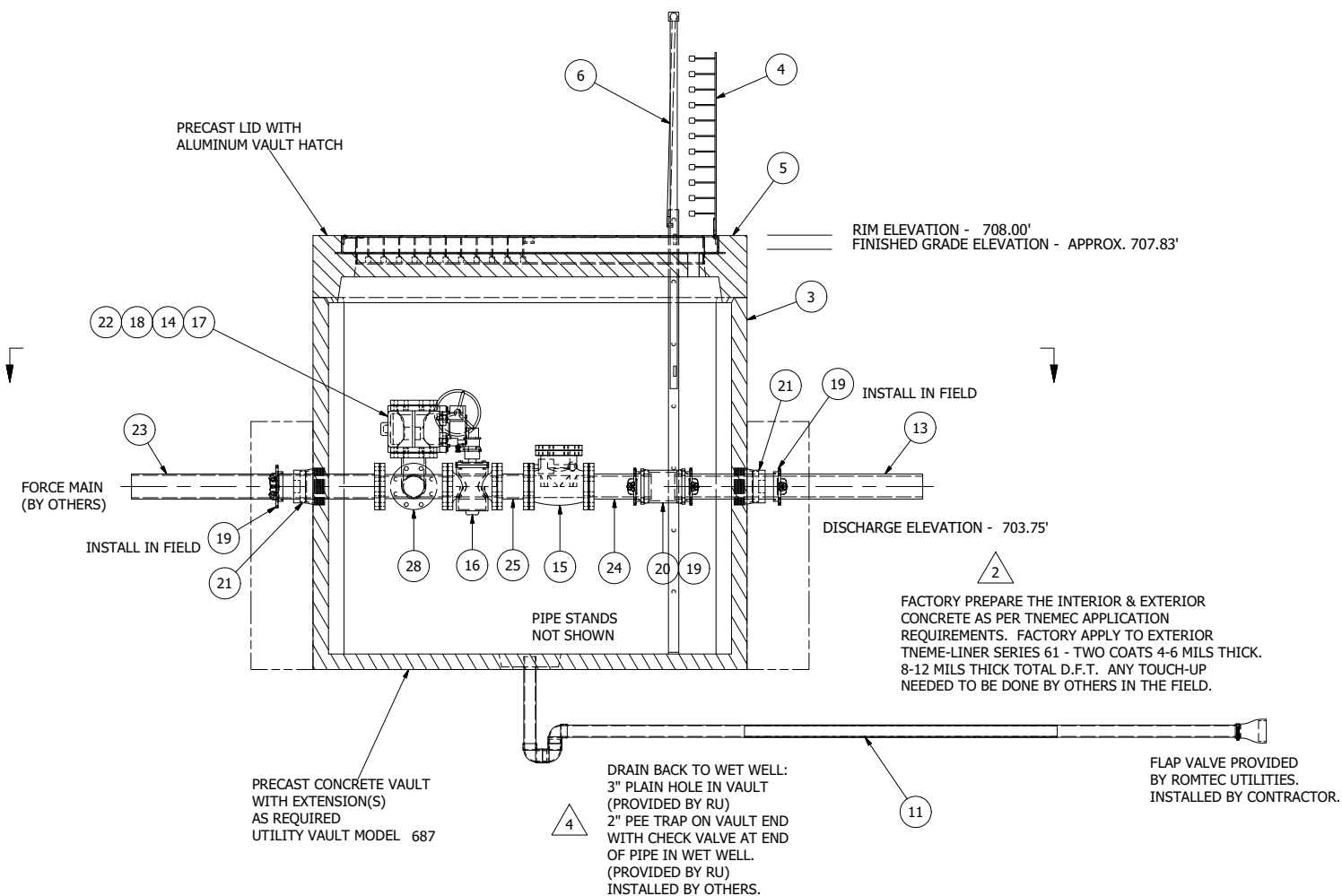
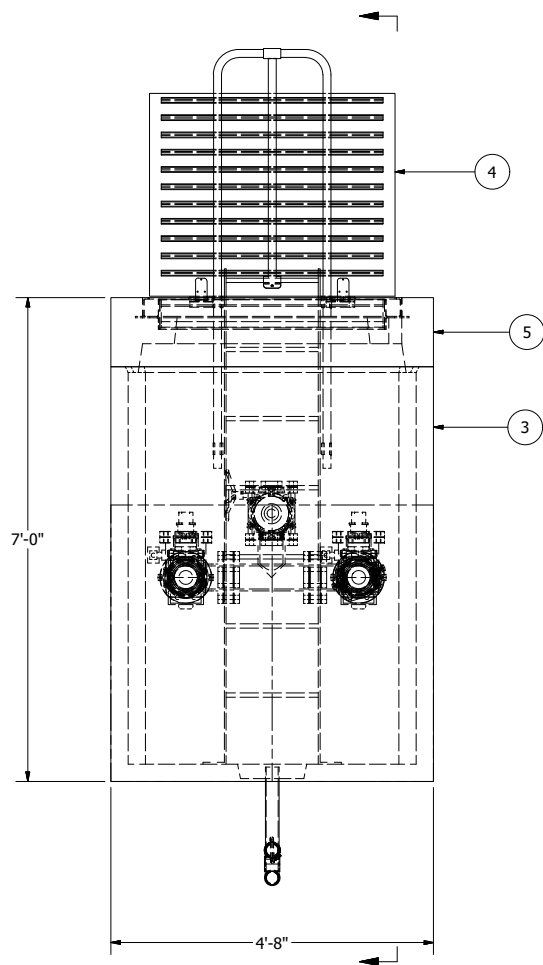
ROMTEC UTILITIES
18240 NORTH BANK ROAD
ROSEBURG, OREGON 97470
(541) 496-9678
FAX (541) 496-0804

AREES
RANDY REISS
2704HV COMPLEX
4" - 8" DIA WET WELL

SHEET
1 OF 2
JOB NUMBER
RMTC 0000



NOTE: VAULT TOP SLAB IS H-20 OCCASIONAL RATED



NOTE: ALL DIMENSIONS AND ELEVATIONS SHOWN ARE NOMINAL DIMENSIONS. IT IS THE RESPONSIBILITY OF THE ON-SITE CONTRACTOR OR ROMTEC UTILITIES CUSTOMER (NOT ROMTEC UTILITIES) TO VERIFY THE ACCURACY OF ANY CRITICAL DIMENSIONS OR ELEVATIONS PRIOR TO SETTING OR INSTALLING ANY EQUIPMENT.

**577 VALVE VAULT
4" PIPING AND VALVES
WITH PUMPING PORT**

© 2009 ROMTEC INC. ALL RIGHTS RESERVED. THESE PLANS AND DRAWINGS MAY NOT BE REPRODUCED, ADAPTED, OR FURTHER DISTRIBUTED, AND NO COMPONENTS MAY BE CONSTRUCTED FROM THESE PLANS, WITHOUT WRITTEN PERMISSION OF ROMTEC, INC.

REV	DESCRIPTION	DATE	APPROV
7	CHANGES PER 02/23/10 COMMENTS	02/25/10	AM
6	CHANGED ELEVATIONS PER COMMENTS	02/17/10	AM
5	ADDED INTERIOR COATING TO BOM	02/16/10	AM
4	ADDED LADDER, DRAIN BACK BY RU	02-10-10	AD
3	577 VAULT WAS 687	01/28/10	AM
2	ADDED EXTERIOR COATING NOTE, ADDED INTERIOR COATING, PER COMMENTS 12/11/09	12/15/09	AD
1	COMPONENT DRAWING	10/23/09	AM

VERIFY SCALE
BAR IS ONE INCH ON ORIGINAL DRAWING
1"
0 IF NOT ONE INCH ON THIS SHEET, ADJUST SCALES ACCORDINGLY
DSN - AM
DRN - AM
CKD - AM
DATE - 10/23/09

ROMTEC UTILITIES
18240 NORTH BANK ROAD
ROSEBURG, OREGON 97470
(541) 496-9678
FAX (541) 496-0804

ARES
RANDY REISS
2704HV COMPLEX
4" - 577 VALVE VAULT

SHEET
2 OF 2
JOB NUMBER
RMTC 0000