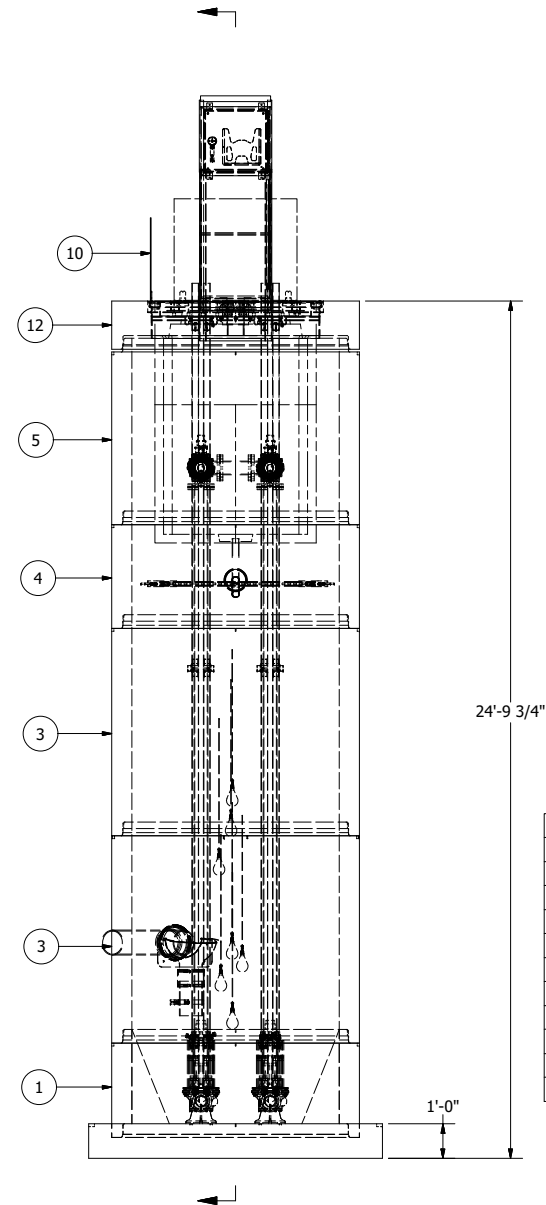
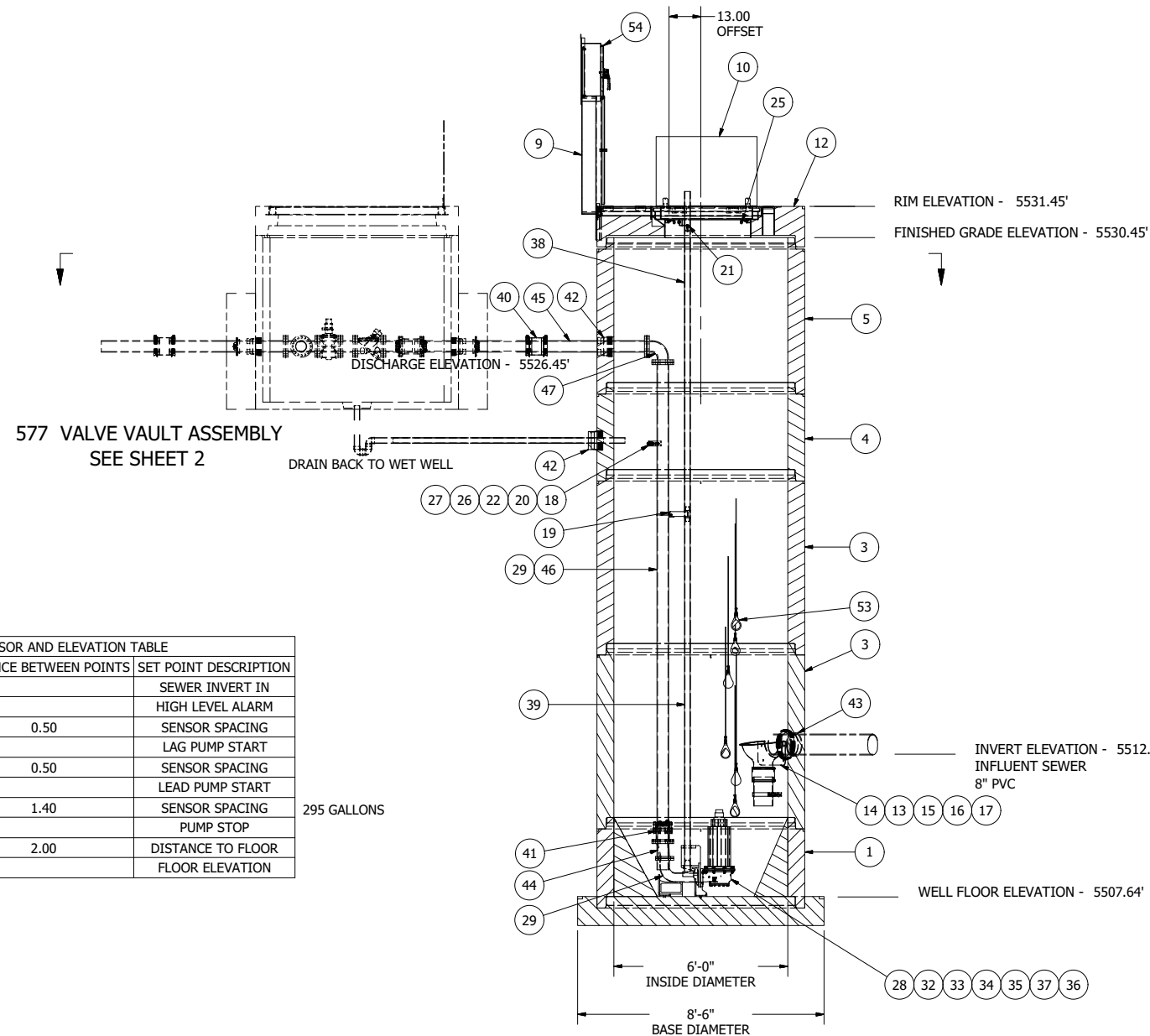


NOTE: WET WELL TOP SLAB IS PEDESTRIAN RATED



SENSOR AND ELEVATION TABLE		
LEVEL ELEVATION	DISTANCE BETWEEN POINTS	SET POINT DESCRIPTION
5512.55		SEWER INVERT IN
5512.04		HIGH LEVEL ALARM
	0.50	SENSOR SPACING
5511.54		LAG PUMP START
	0.50	SENSOR SPACING
5511.04		LEAD PUMP START
	1.40	SENSOR SPACING
5509.64		PUMP STOP
	2.00	DISTANCE TO FLOOR
5507.64		FLOOR ELEVATION

295 GALLONS



NOTE: ALL DIMENSIONS AND ELEVATIONS SHOWN ARE NOMINAL DIMENSIONS. IT IS THE RESPONSIBILITY OF THE ON-SITE CONTRACTOR OR ROMTEC UTILITIES CUSTOMER (NOT ROMTEC UTILITIES) TO VERIFY THE ACCURACY OF ANY CRITICAL DIMENSIONS OR ELEVATIONS PRIOR TO SETTING OR INSTALLING ANY EQUIPMENT.

6' DIAMETER WET WELL
4" DISCHARGE PIPING
VAUGHAN PUMPS
4" - 577 VALVE VAULT

© 2010 ROMTEC INC. ALL RIGHTS RESERVED. THESE PLANS AND DRAWINGS MAY NOT BE REPRODUCED, ADAPTED, OR FURTHER DISTRIBUTED, AND NO COMPONENTS MAY BE CONSTRUCTED FROM THESE PLANS, WITHOUT WRITTEN PERMISSION OF ROMTEC, INC.

REV	DESCRIPTION	DATE	APPROV
1	COMPONENT DRAWING	03/30/10	AM
2	ELEVATION CHANGE	03/30/10	AD
3	UPDATED WITH ACTUAL INLET ELEV.	03/30/10	AD
4	UPDATED PARTS LIST	03/30/10	AD
5	ADDED GALLONS NEXT TO CHART	03/30/10	AD
6	ADDED EXTRA FLOAT AND CABLE HANGER	03/30/10	AD

VERIFY SCALE
BAR IS ONE INCH ON ORIGINAL DRAWING

1"
IF NOT ONE INCH ON THIS SHEET, ADJUST SCALES ACCORDINGLY

DSN - AM
DRN - AM
CKD - AM
DATE - 04/30/10

REVISION HISTORY

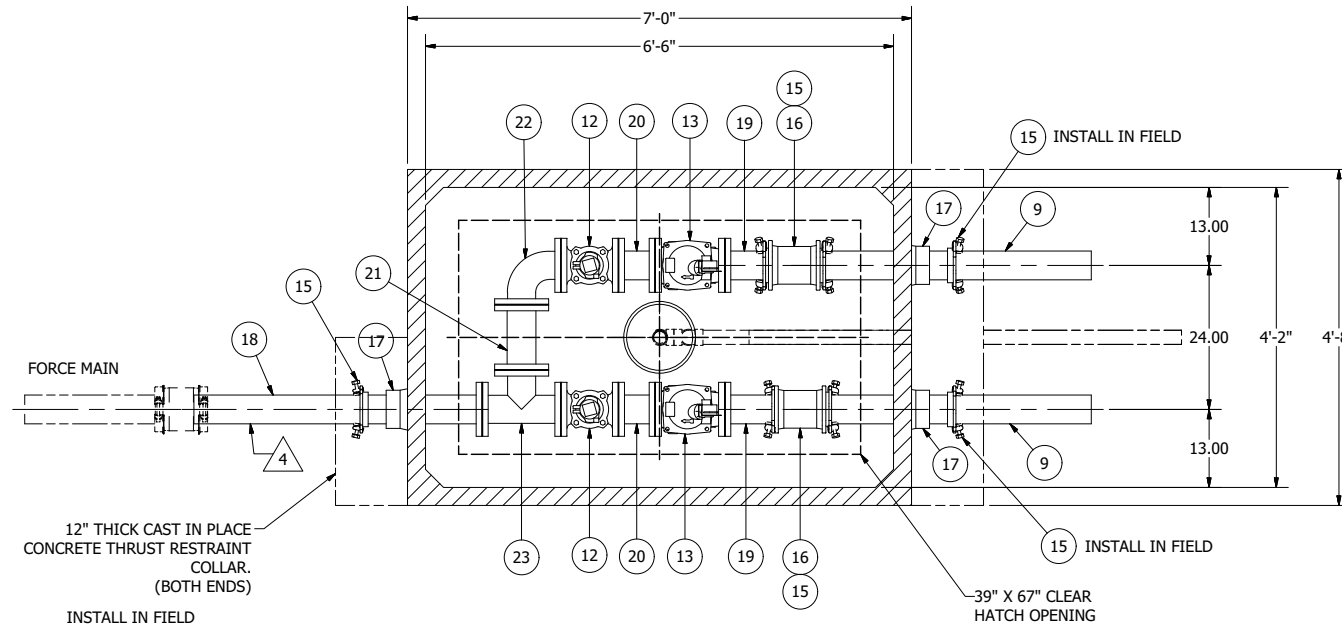
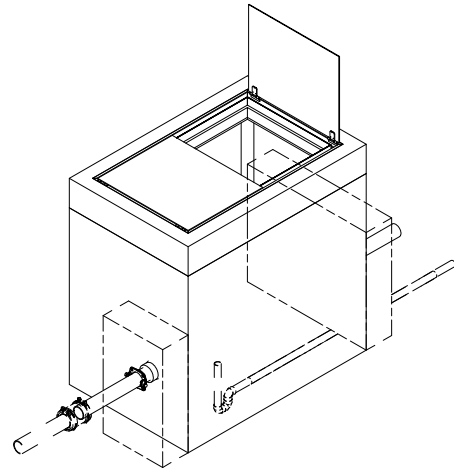
COMPONENT DRAWING

ROMTEC UTILITIES
18240 NORTH BANK ROAD
ROSEBURG, OREGON 97470
(541) 496-9678
FAX (541) 496-0804

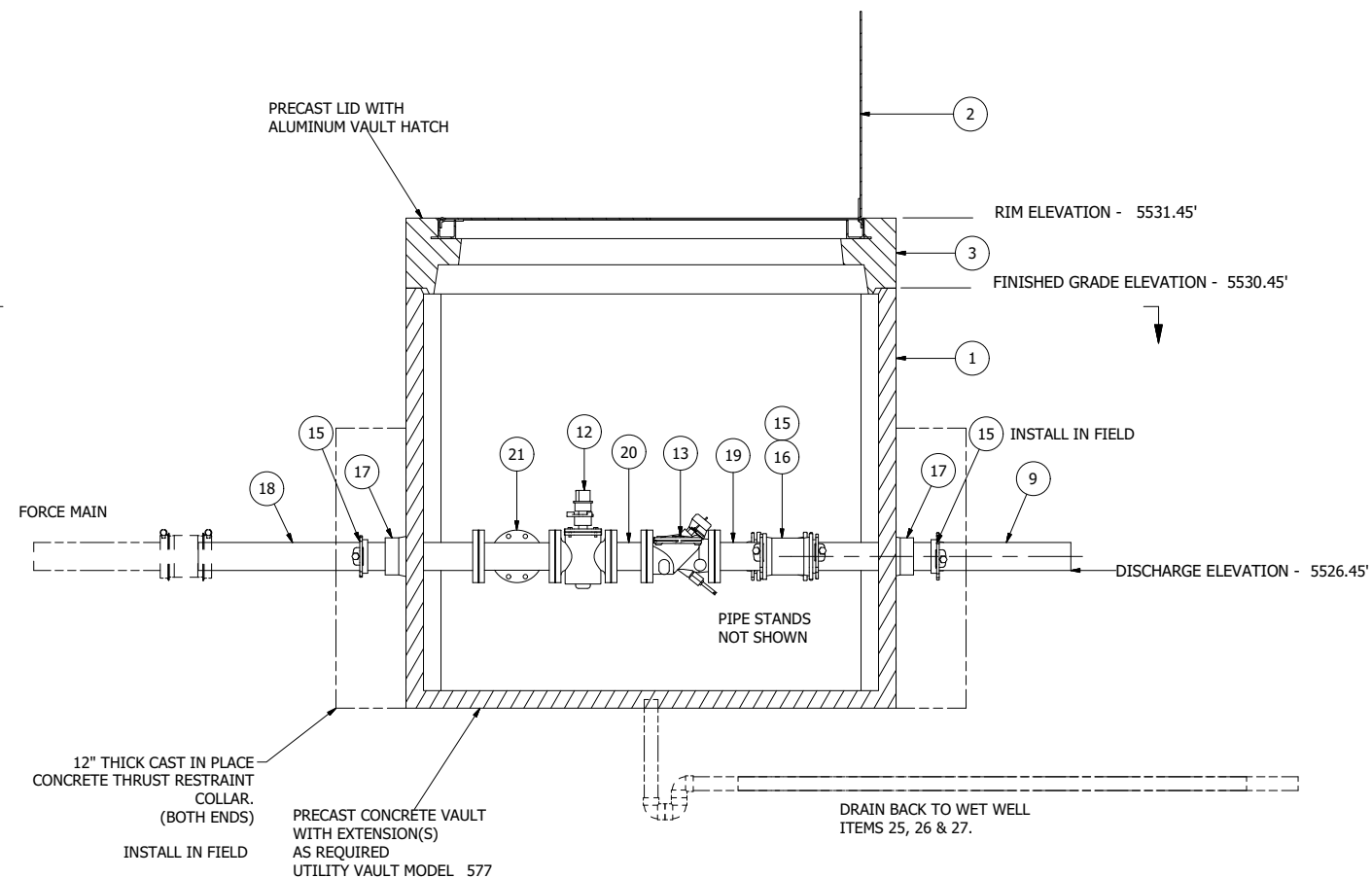
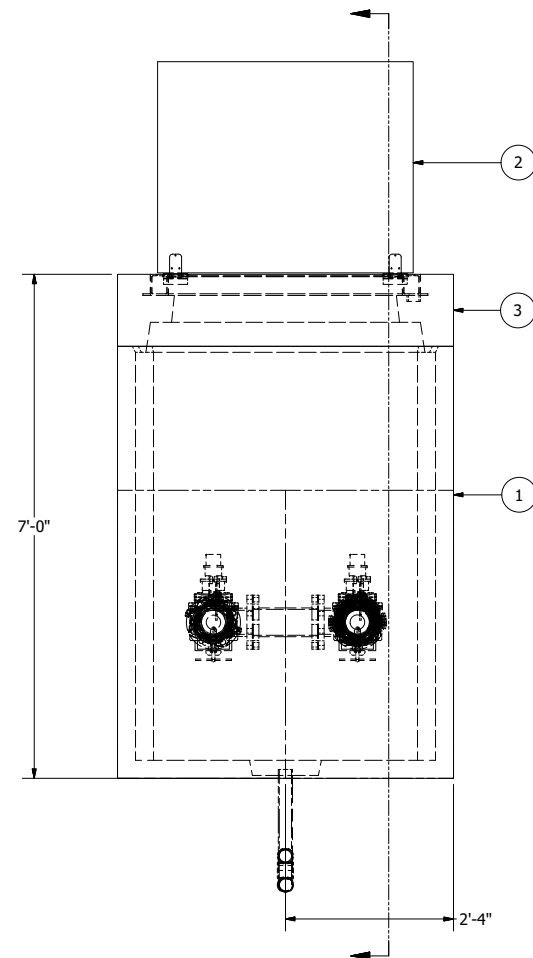
JIM BROWN
CANYON DECHELLEY
4" - 6' DIA WET WELL

SHEET
1 OF 2

JOB NUMBER
RMTC
0000



NOTE: VAULT TOP SLAB IS PEDESTRIAN RATED



NOTE: ALL DIMENSIONS AND ELEVATIONS SHOWN ARE NOMINAL DIMENSIONS. IT IS THE RESPONSIBILITY OF THE ON-SITE CONTRACTOR OR ROMTEC UTILITIES CUSTOMER (NOT ROMTEC UTILITIES) TO VERIFY THE ACCURACY OF ANY CRITICAL DIMENSIONS OR ELEVATIONS PRIOR TO SETTING OR INSTALLING ANY EQUIPMENT.

**577 VALVE VAULT
4" PIPING AND VALVES**

© 2010 ROMTEC INC. ALL RIGHTS RESERVED. THESE PLANS AND DRAWINGS MAY NOT BE REPRODUCED, ADAPTED, OR FURTHER DISTRIBUTED, AND NO COMPONENTS MAY BE CONSTRUCTED FROM THESE PLANS, WITHOUT WRITTEN PERMISSION OF ROMTEC, INC.

VERIFY SCALE
BAR IS ONE INCH ON ORIGINAL DRAWING
1"
0 IF NOT ONE INCH ON THIS SHEET ADJUST SCALES ACCORDINGLY

COMPONENT DRAWING

ROMTEC UTILITIES
18240 NORTH BANK ROAD
ROSEBURG, OREGON 97470
(541) 496-9678
FAX (541) 496-0804

JIM BROWN
**CANYON DECHELLEY
4" - 577 VALVE VAULT**

SHEET
2 OF 2

JOB NUMBER
**RMTC
0000**

REV	DESCRIPTION	DATE	APPROV
4	MOVED DISCHARGE PIPE TO OPPOSITE SIDE	8-19-11	AD
3	UPDATED FOR LAUNCH	8-9-11	AD
2	ELEVATION CHANGE	6-23-10	AD
1	COMPONENT DRAWING	05-03-10	AM