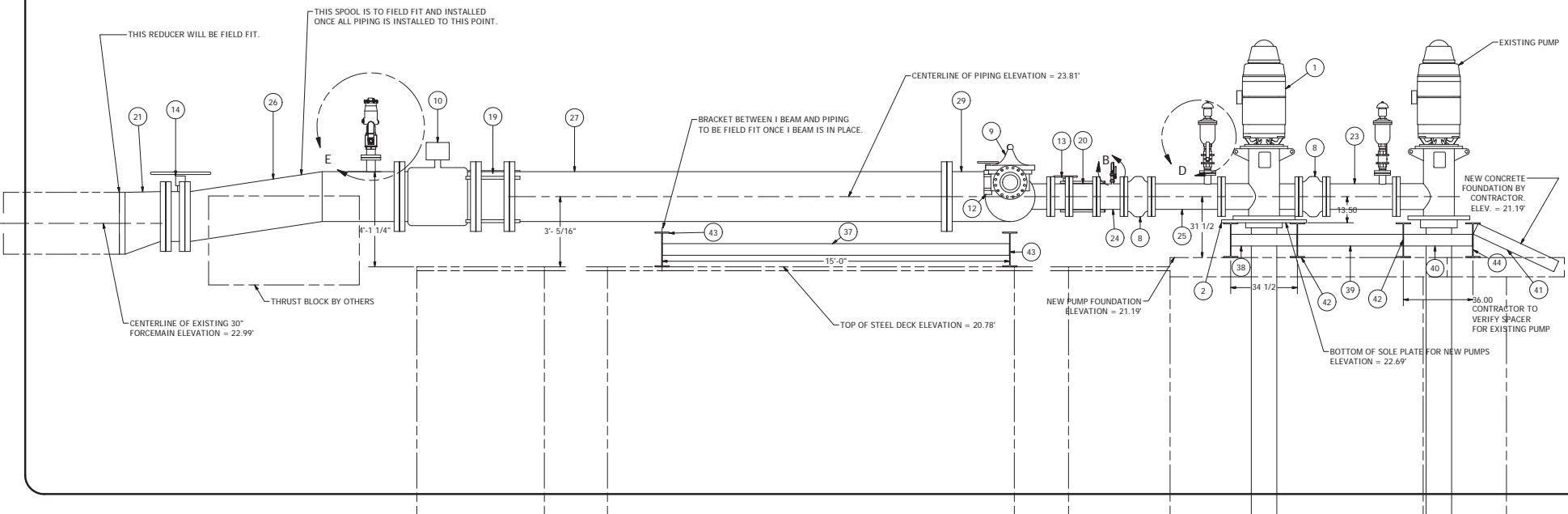
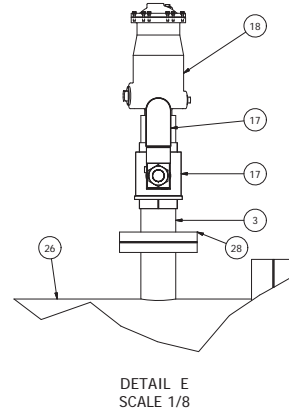
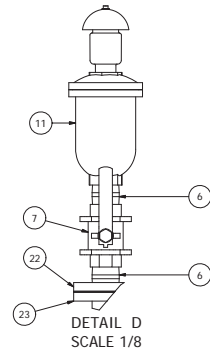
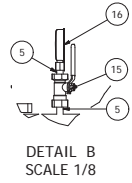


© 2011 ROMTEC INC. ALL RIGHTS RESERVED. THESE PLANS AND DRAWINGS MAY NOT BE REPRODUCED, ADAPTED, OR FURTHER DISTRIBUTED, AND NO COMPONENTS MAY BE CONSTRUCTED FROM THESE PLANS, WITHOUT WRITTEN PERMISSION OF ROMTEC, INC.

NOTE: ALL DIMENSIONS AND ELEVATIONS SHOWN ARE NOMINAL DIMENSIONS. IT IS THE RESPONSIBILITY OF THE ON-SITE CONTRACTOR OR ROMTEC UTILITIES CUSTOMER (NOT ROMTEC UTILITIES) TO VERIFY THE ACCURACY OF ANY CRITICAL DIMENSIONS OR ELEVATIONS PRIOR TO SETTING OR INSTALLING ANY EQUIPMENT.

| | | | | | |
|---|--|---|-------------------------------------|--|-------------------|
| MBRUDE RESOURCES DAN SARGENT PUMP 3 PUMP SYSTEM LAYOUT | | ROMTEC UTILITIES 18240 NORTH BANK ROAD ROSEBURG, OREGON 97470 (541) 496-9678 FAX (541) 496-0804 | | SHEET 1 OF 4 JOB NUMBER RMTC 0000 | |
| VERIFY SCALE AND DIMENSIONS ORIGINAL DRAWING 0 | CHECK FOR DIMENSIONS AND ELEVATIONS 1 | DESIGNED BY DSR - AD | CHECKED BY DSR - AD | DATE 10-23-12 | APPROVED BY AD |
| REVISION HISTORY | | REV 1 | DESCRIPTION REVISED PER COMMENTS | DATE 10-23-12 | APPROVED BY AD |



| | | |
|----------|----------|----------|
| REVISION | DATE | APPROVED |
| 1 | 10-23-12 | AD |
| 2 | | |
| 3 | | |
| 4 | | |
| 5 | | |
| 6 | | |
| 7 | | |
| 8 | | |
| 9 | | |
| 10 | | |
| 11 | | |
| 12 | | |
| 13 | | |
| 14 | | |
| 15 | | |
| 16 | | |
| 17 | | |
| 18 | | |
| 19 | | |
| 20 | | |
| 21 | | |
| 22 | | |
| 23 | | |
| 24 | | |
| 25 | | |
| 26 | | |
| 27 | | |
| 28 | | |
| 29 | | |
| 30 | | |
| 31 | | |
| 32 | | |
| 33 | | |
| 34 | | |
| 35 | | |
| 36 | | |
| 37 | | |
| 38 | | |
| 39 | | |
| 40 | | |
| 41 | | |
| 42 | | |
| 43 | | |
| 44 | | |
| 45 | | |
| 46 | | |
| 47 | | |
| 48 | | |
| 49 | | |
| 50 | | |
| 51 | | |
| 52 | | |
| 53 | | |
| 54 | | |
| 55 | | |
| 56 | | |
| 57 | | |
| 58 | | |
| 59 | | |
| 60 | | |
| 61 | | |
| 62 | | |
| 63 | | |
| 64 | | |
| 65 | | |
| 66 | | |
| 67 | | |
| 68 | | |
| 69 | | |
| 70 | | |
| 71 | | |
| 72 | | |
| 73 | | |
| 74 | | |
| 75 | | |
| 76 | | |
| 77 | | |
| 78 | | |
| 79 | | |
| 80 | | |
| 81 | | |
| 82 | | |
| 83 | | |
| 84 | | |
| 85 | | |
| 86 | | |
| 87 | | |
| 88 | | |
| 89 | | |
| 90 | | |
| 91 | | |
| 92 | | |
| 93 | | |
| 94 | | |
| 95 | | |
| 96 | | |
| 97 | | |
| 98 | | |
| 99 | | |
| 100 | | |

VERIFY SCALE AND DIMENSIONS AGAINST ORIGINAL DRAWING

0 MAKE ONE REVISION TO THIS DRAWING

DATE: 10-23-12

REVISION HISTORY

REVISION NUMBER

DATE

APPROVED

PROJECT: 18240 NORTH BANK ROAD ROSEBURG, OREGON 97470

TEL: (541) 496-9678

FAX: (541) 496-0804

ROMTEC UTILITIES

COMPONENT DRAWING

MERVYE RESOURCES

DAN SARGENT

PUMP 3

PROFILE VIEW LAYOUT

SHEET

4 OF 4

JOB NUMBER

RMTC 0000