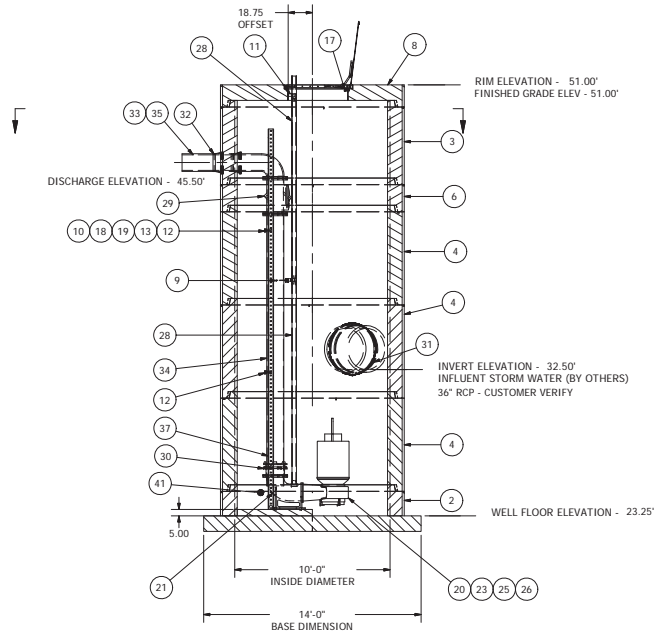
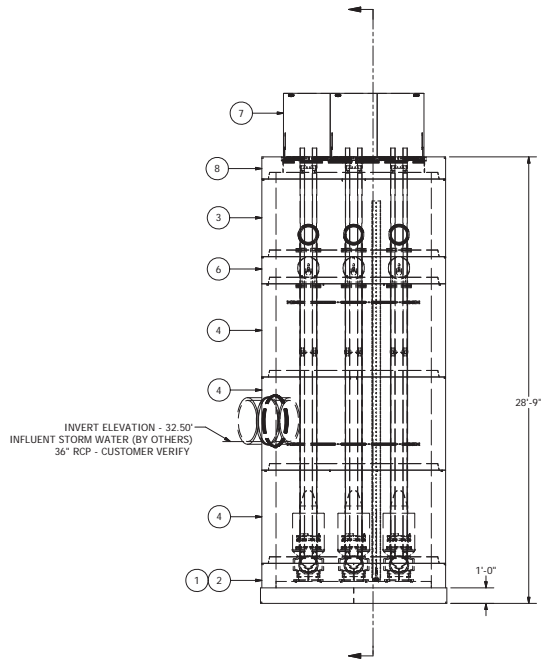


NOTE: WET WELL TOP SLAB IS PEDESTRIAN RATED



NOTE: ALL DIMENSIONS AND ELEVATIONS SHOWN ARE NOMINAL DIMENSIONS. IT IS THE RESPONSIBILITY OF THE ON-SITE CONTRACTOR OR ROMTEC UTILITIES CUSTOMER (NOT ROMTEC UTILITIES) TO VERIFY THE ACCURACY OF ANY CRITICAL DIMENSIONS OR ELEVATIONS PRIOR TO SETTING OR INSTALLING ANY EQUIPMENT.

ALL MATERIALS SHOWN ON THIS SHEET WILL BE SUPPLIED BY ROMTEC UTILITIES AND DELIVERED TO THE SITE AFTER THE HOLE HAS BEEN EXCAVATED AND SHORED. THE CONTRACTOR SHALL SUPPLY A CRANE OF SUFFICIENT SIZE TO LOWER ALL THE CONCRETE PIECES INTO THE HOLE SAFELY. THE CONTRACTOR SHALL INSTALL THE WET WELL (AND VALVE VAULT AND METERING VAULT IF APPLICABLE). ROMTEC UTILITIES WILL PROVIDE A REPRESENTATIVE FOR TECHNICAL ASSISTANCE ON THE DAY OF INSTALLATION TO ANSWER ANY QUESTIONS THAT MAY ARISE. THE CONTRACTOR IS RESPONSIBLE FOR ALL PLUMBING AND ELECTRICAL CONNECTIONS AND INSTALLATION. ITEMS NOTED AS "BY OTHERS" WILL BE PROVIDED AND INSTALLED BY THE CONTRACTOR. ROMTEC UTILITIES WILL NOT INSTALL ANY OF THE COMPONENTS SHOWN ON THIS PAGE.

© 2011 ROMTEC INC. ALL RIGHTS RESERVED. THESE PLANS AND DRAWINGS MAY NOT BE REPRODUCED, ADAPTED, OR FURTHER DISTRIBUTED, AND NO COMPONENTS MAY BE CONSTRUCTED FROM THESE PLANS, WITHOUT WRITTEN PERMISSION OF ROMTEC, INC.

NO.	DATE	DESCRIPTION	BY	CHECKED	APPROVED
7	9/26/11	CHANGED INLET PIPE FROM PVC TO RCP PER CUSTOMER	AD		
6	9/9/11	ADDED STILLING WELL FOR LEVEL SENSING	AD		
5	9/7/11	REVISED FOR PRODUCTION LAUNCH	AD		
4	08/25/11	CHANGED FROM 12" TO 10" RCP FOR INLET	AD		
3	08/25/11	REMOVED FLOATS, ADDED PRESSURE TRANSDUCER	AD		
2	08/27/11	NEW ELEVATIONS PER CUSTOMER	AM		
1	08/27/11	DESIGN	AM		
0	08/27/11	DESIGN	AM		

COMPONENT DRAWING

ROMTEC UTILITIES
18240 NORTH BANK ROAD
ROSEBURG, OREGON 97470
(541) 496-9678
FAX (541) 496-0804

RISC ENGINEERING, INC.
JAI SINGH
EAST CAMPUS STORMWATER
12" - 10' DIA WET WELL

SHEET
1 OF 1

JOB NUMBER
RMTC 0000