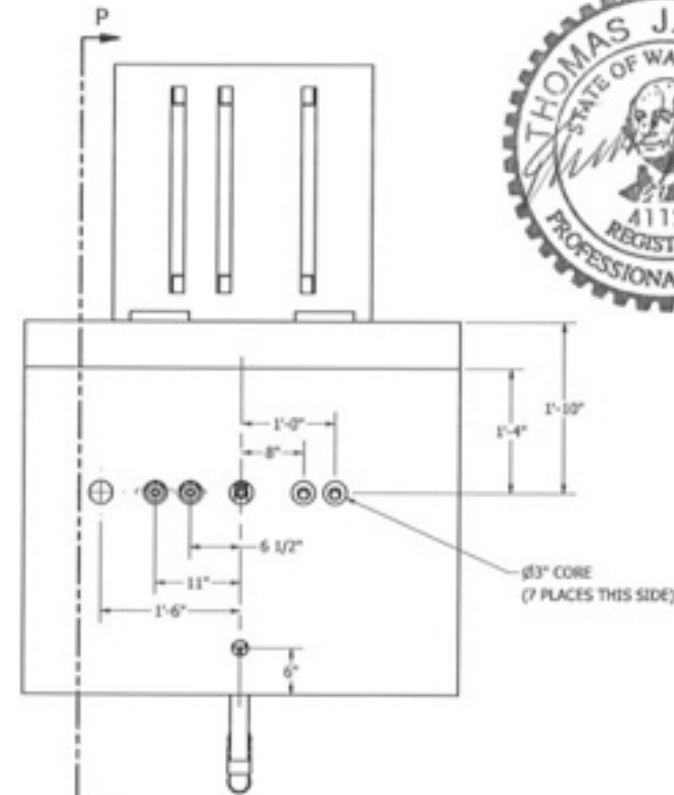
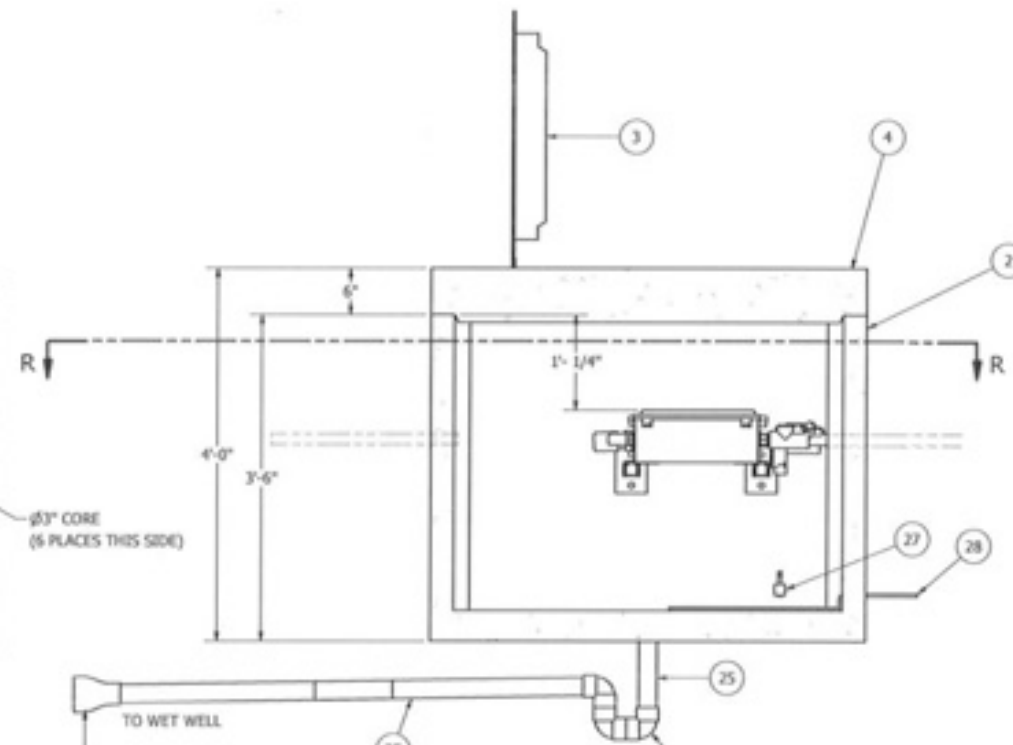
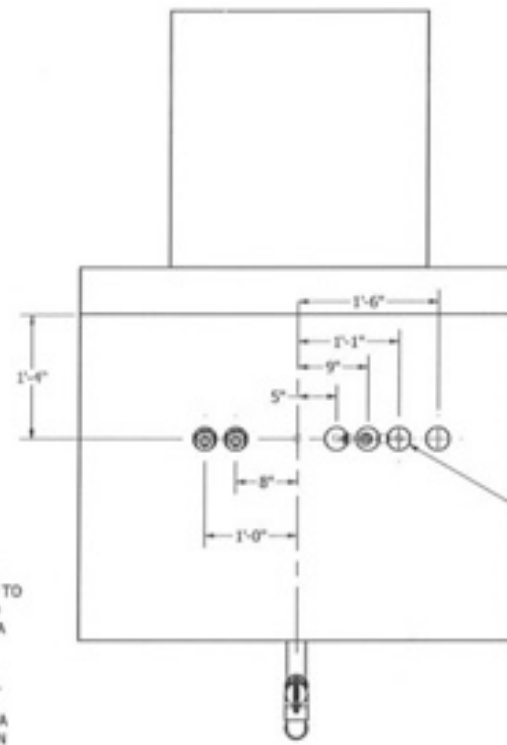


TERMINAL VAULT LAYOUT AND ENCLOSURES AS PER STANDARD DETAILS PS-2.0 AND PS-2.1 (LATEST)



NOTE:
CONDUIT TO CONTROL PANEL (BY OTHERS)
MINIMUM:
(2) FOR POWER
(1) FOR LEVEL SENSING

ALL MATERIALS SHOWN ON THIS SHEET WILL BE SUPPLIED BY ROMTEC UTILITIES AND DELIVERED TO THE SITE AFTER THE HOLE HAS BEEN EXCAVATED AND SHORED. THE CONTRACTOR SHALL SUPPLY A CRANE OF SUFFICIENT SIZE TO LOWER ALL THE CONCRETE PIECES INTO THE HOLE SAFELY. THE CONTRACTOR SHALL INSTALL THE WET WELL (AND VALVE VAULT AND METERING VAULT IF APPLICABLE). ROMTEC UTILITIES WILL PROVIDE A REPRESENTATIVE FOR TECHNICAL ASSISTANCE ON THE DAY OF INSTALLATION TO ANSWER ANY QUESTIONS THAT MAY ARISE. THE CONTRACTOR IS RESPONSIBLE FOR ALL PLUMBING AND ELECTRICAL CONNECTIONS AND INSTALLATION. ITEMS NOTED AS "BY OTHERS" WILL BE PROVIDED AND INSTALLED BY THE CONTRACTOR. ROMTEC UTILITIES WILL NOT INSTALL ANY OF THE COMPONENTS SHOWN ON THIS PAGE.

© 2018 ROMTEC INC. ALL RIGHTS RESERVED. THESE PLANS AND DRAWINGS MAY NOT BE REPRODUCED, ADAPTED, OR FURTHER DISTRIBUTED, AND NO COMPONENTS MAY BE CONSTRUCTED FROM THESE PLANS, WITHOUT WRITTEN PERMISSION OF ROMTEC, INC.

NOTE: SOLENOID VALVE PROVIDED AT CONTROL SHELTER FOR KEEPING THE P-TRAPS PRIMED. CONTRACTOR TO PLUMB WATER LINE TO DISCHARGE INTO THE DRAIN.

NOTE: SEE BAR SCALE IN THE TITLE BLOCK. SCALES ARE INCH TO INCH (1" / XX')

NOTE: ALL DIMENSIONS AND ELEVATIONS SHOWN ARE NOMINAL DIMENSIONS. IT IS THE RESPONSIBILITY OF THE ON-SITE CONTRACTOR OR ROMTEC UTILITIES CUSTOMER (NOT ROMTEC UTILITIES) TO VERIFY THE ACCURACY OF ANY CRITICAL DIMENSIONS OR ELEVATIONS PRIOR TO SETTING OR INSTALLING ANY EQUIPMENT.

NO.	REVISION HISTORY	DATE	BY	APPROV.
4	ADD EXTRA COPIES, CLARIFY NOTES	10/12/2018	KB	
3	REVISED PER R2/1/18 COMMENTS	9/12/2018	AD	
2	SEPARATE CONDUIT FOR FLOOD SWITCH	7/26/2018	KB	
1	SCALE, SOLENOID VALVE NOTE	5/1/18	KB	
	DESCRIPTION			
	DATE			
	BY			
	APPROV.			

ROMTEC UTILITIES
 18240 NORTH BANK ROAD
 ROSEBURG, OREGON 97470
 (541) 496-9678
 FAX (541) 496-0804

**COLUMBIA PALISADES
JUNCTION BOX**