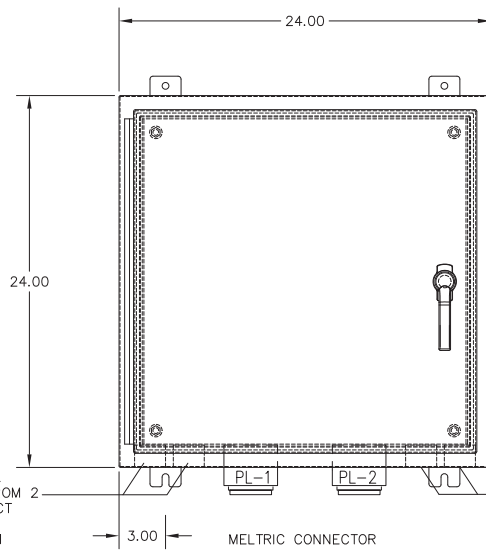


THE ENCLOSURE SHOWN REPRESENTS THE INTENT OF THE DESIGN. OFTEN THE ENCLOSURE SIZE AND LAYOUT MUST CHANGE TO ACCOMMODATE THE REQUIRED COMPONENTS AND FINAL DESIGN. PLEASE CONTACT ROMTEC UTILITIES TO OBTAIN ACTUAL AS-BUILT DRAWINGS BEFORE INSTALLATION.

|  |                                  |
|--|----------------------------------|
| <p>© ROMTEC INC. ALL RIGHTS RESERVED. THESE PLANS AND DRAWINGS MAY NOT BE PRODUCED, REPRODUCED, COPIED, OR TRANSMITTED IN ANY FORM OR BY ANY MEANS, WITHOUT WRITTEN PERMISSION OF ROMTEC, INC.</p> |                                  |
| <p>18240 NORTH BANK ROAD<br/>ROSEBURG, OR 97470<br/>(541) 496-9678<br/>FAX (541) 496-0804<br/>WWW.ROMTECUTILITIES.COM</p>  |                                  |
| <p>SNOQUALMIE RIDGE<br/>SNOQUALMIE, WA</p>   |                                  |
| <p>CONTROL PANEL LAYOUT<br/>DUPLX CONTROL</p>  |                                  |
| <p>SHEET<br/>1 OF 2<br/>JOB NUMBER</p>   |                                  |
| <p>DWG. -</p>  | <p>DES. KAS<br/>DRN. KAS</p>     |
| <p>CHK. KAS</p>  | <p>REV. DATE<br/>3/17/13</p>     |
| <p>BY</p>  | <p>DESCRIPTION<br/>REVISIONS</p> |

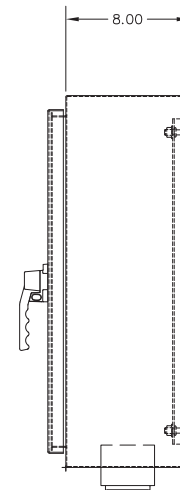




CONTROL PANEL INTERCONNECT CIRCUITS WIRE ENTRANCE LOCATION. CONDUITS MUST BE CONTINUOUS FROM FEET BELOW GROUND TO DISCONNECT PANEL. NOTE: PUMP WIRES SHOULD RESIDE IN SEPARATE CONDUIT FROM CONTROL WIRES.

INTRINSICALLY SAFE CIRCUITS WIRE ENTRANCE LOCATION.

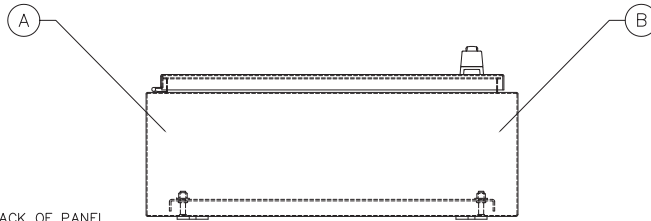
MELTRIC CONNECTOR



SIDE VIEW

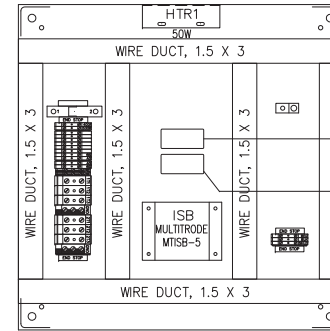
SUGGESTED CONDUIT ENTRANCE LOCATION FROM MAIN PANEL

SUGGESTED WIRE ENTRANCE LOCATION FROM WET WELL - NON CONDUIT



BACK OF PANEL

BOTTOM VIEW



BACK PANEL

| REV | DATE | DESCRIPTION | BY |
|-----|------|-------------|----|
|     |      |             |    |
|     |      |             |    |
|     |      |             |    |
|     |      |             |    |
|     |      |             |    |
|     |      |             |    |
|     |      |             |    |
|     |      |             |    |
|     |      |             |    |

PROPRIETARY INFORMATION  
DO NOT COPY, TRACE, ALTER OR  
DUPLICATE DESIGN CONTENT  
WITHOUT OBTAINING APPROVAL  
FROM THE DESIGN AUTHORITY  
ROMTEC UTILITIES  
E0094001

**ROMTEC UTILITIES**  
18240 NORTH BANK ROAD  
ROSELIE, OR 97470  
(541)-496-9678  
FAX (541)-496-0804  
WWW.ROMTECUTILITIES.COM

SNOQUALMIE RIDGE II  
SNOQUALMIE, WA  
**DUPLEX LIFT STATION SYSTEM  
DISCONNECT PANEL LAYOUT  
ELECTRICAL CONTROLS**

SHEET  
1 OF 1  
JOB NUMBER