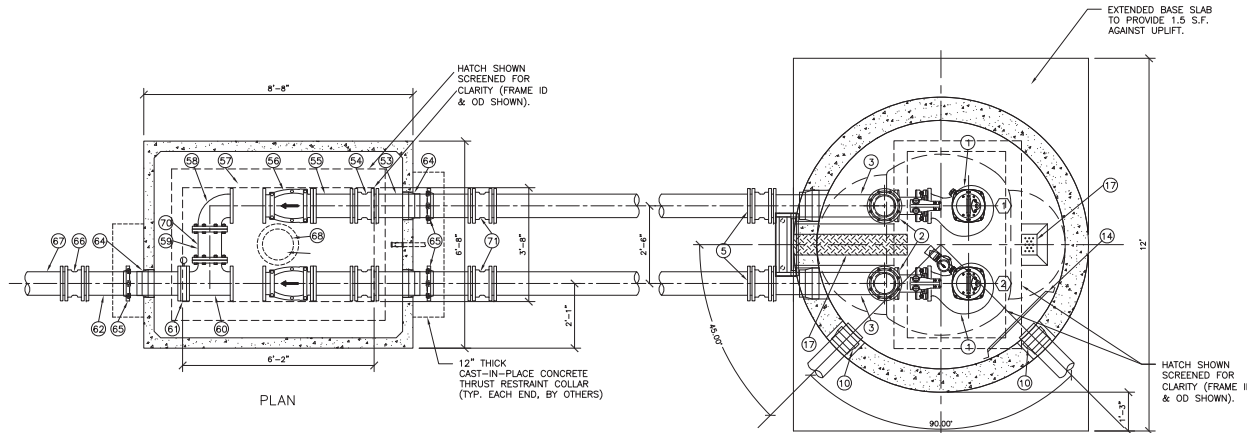
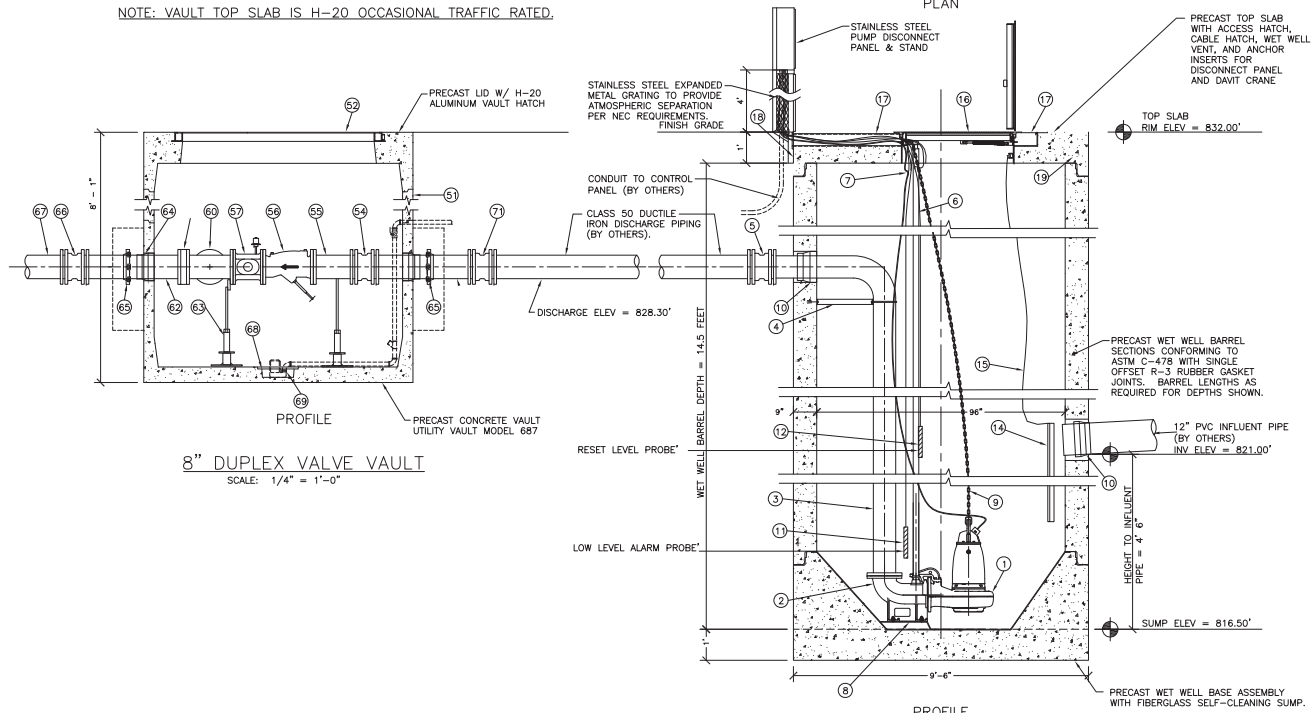


NOTE: WETWELL TOP SLAB IS H-20 OCCASIONAL TRAFFIC RATED.



NOTE: VAULT TOP SLAB IS H-20 OCCASIONAL TRAFFIC RATED.



8" DUPLEX VALVE VAULT  
SCALE: 1/4" = 1'-0"

8' DIAMETER WET WELL  
SCALE: 1/4" = 1'-0"

NO.	DATE	DESCRIPTION	BY
1	5-24-05	COMPONENT DRAWING	AD
2	12-2-05	CHANGED FITTING IN VALVE VAULT	AD

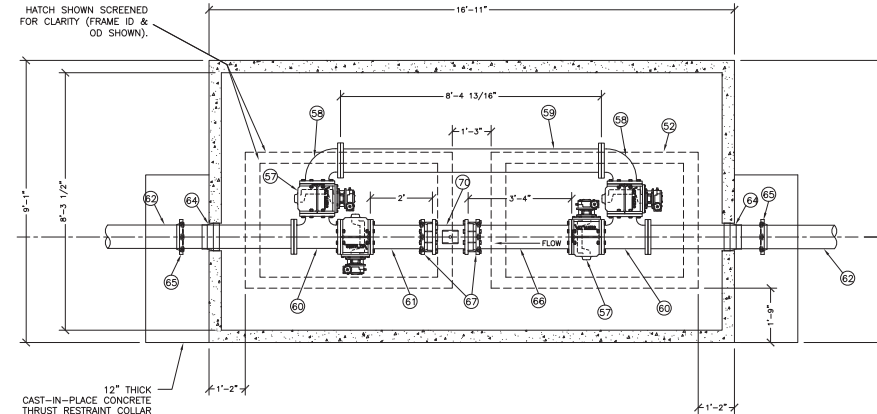


**ROMTEC**  
18240 NORTH BANK ROAD  
ROSEBURG, OR 97470  
(541)-496-3541  
FAX (541)-496-0803

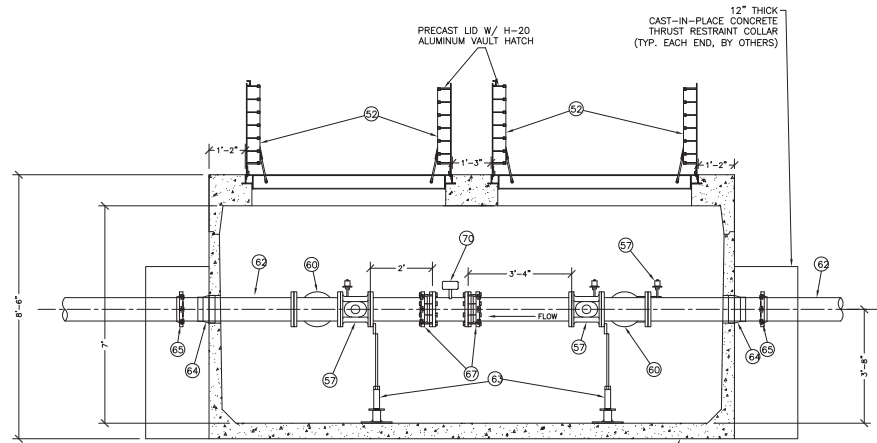
CITY OF BRAWLEY  
AMMONIA REMOVAL ENHANCEMENT PROJECT  
8' WETWELL  
8" DISCHARGE & VAULT

SHEET  
1 OF 1  
JOB NUMBER  
RMT0118

NOTE: VAULT TOP SLAB IS H-20 OCCASIONAL TRAFFIC RATED.



PLAN



PROFILE

8" METERING VALVE VAULT

SCALE: 1/2" = 1'-0"

NO.	DATE	DESCRIPTION	BY
1	10-2-05	ADDED WEIGHT ADAPTER	AD
2	10-7-05	COMPONENT DRAWING	AD



**ROMTEC**  
 18240 NORTH BANK ROAD  
 ROSEBURG, OR 97470  
 (541)-496-3541  
 FAX (541)-496-0803

CITY OF BRAWLEY  
 AMMONIA REMOVAL ENHANCEMENT PROJECT  
 8" METERING VALVE  
 FLOWMETER

SHEET  
 1 OF 1  
 JOB NUMBER  
 RMTc 0118