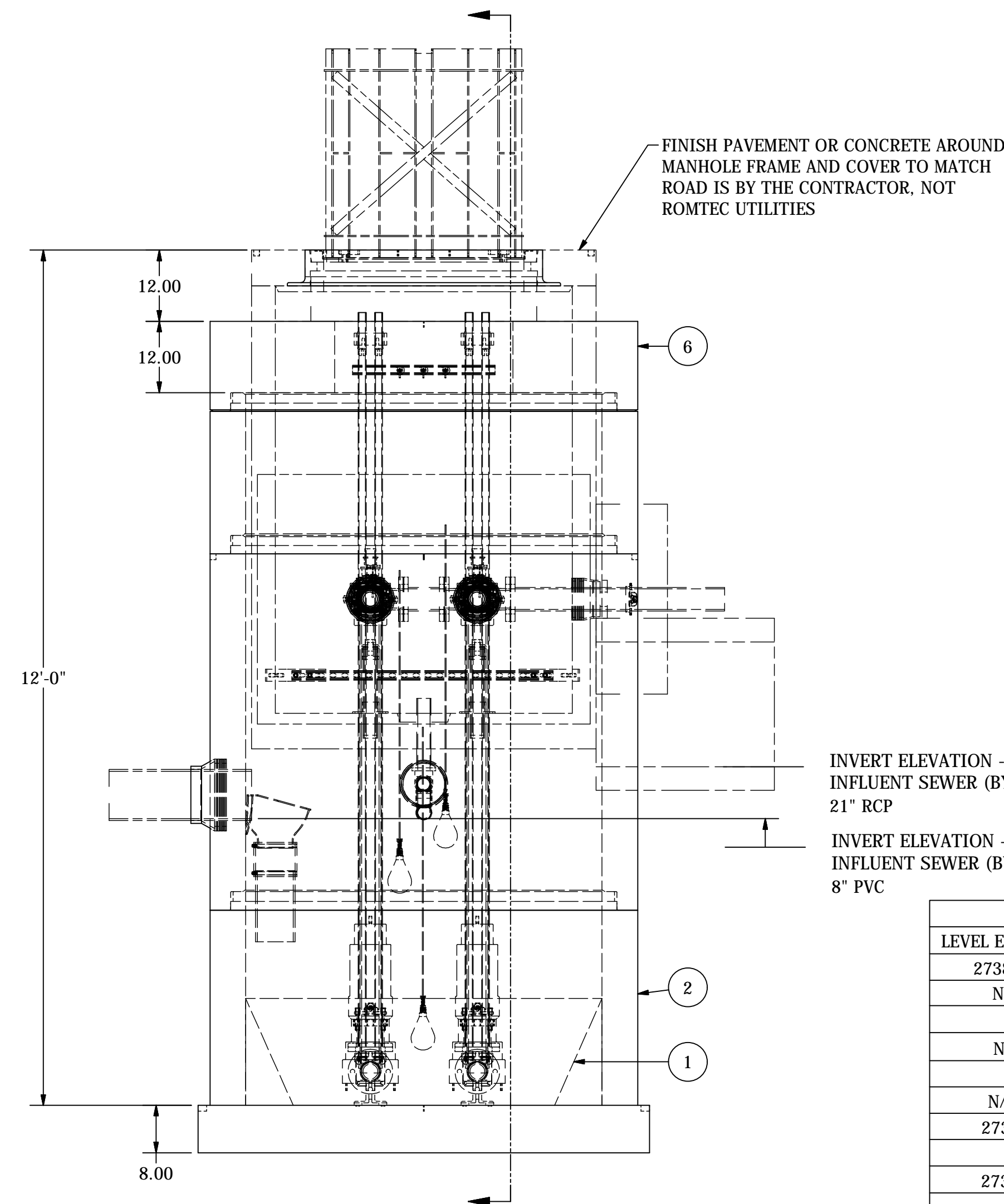


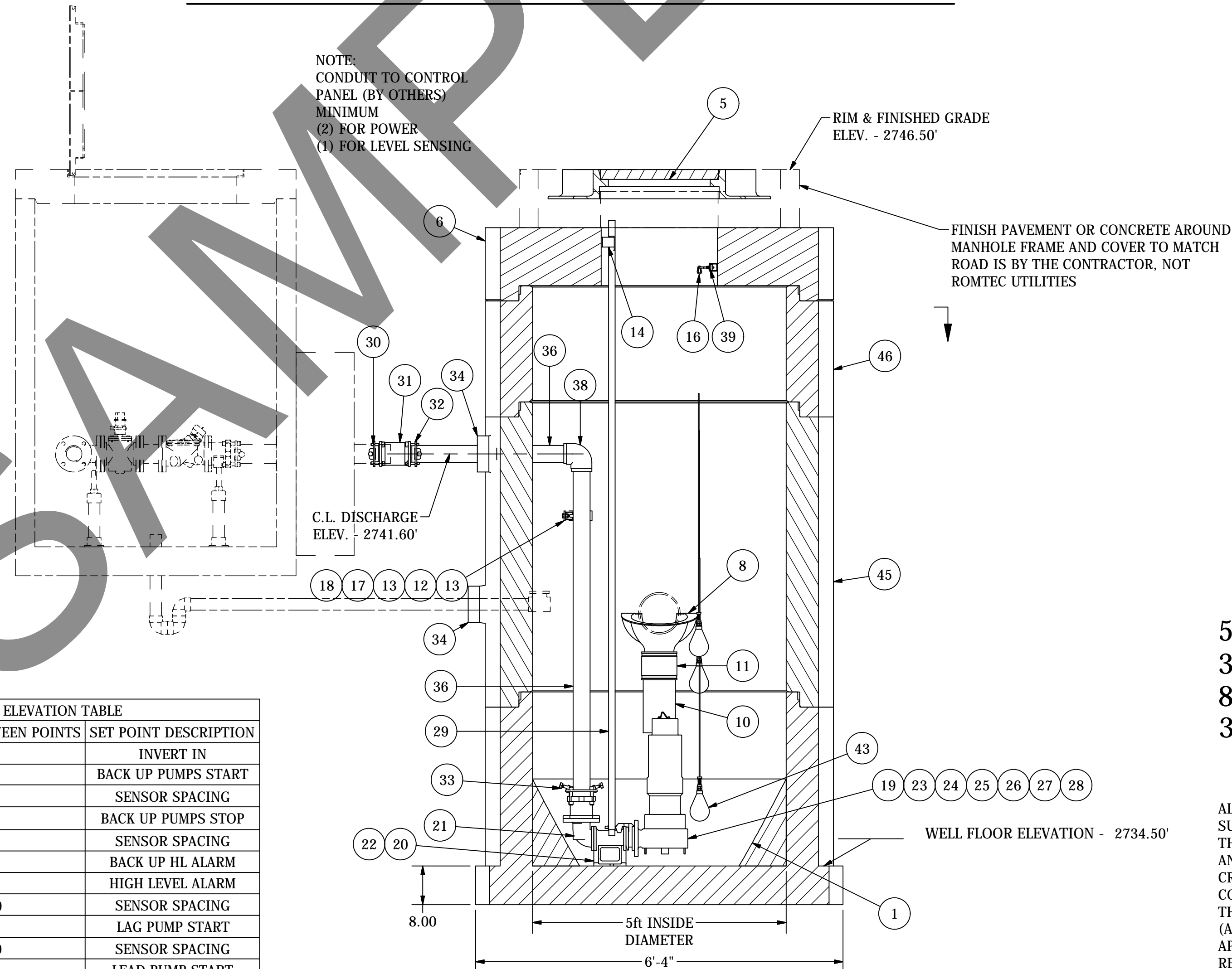
NOTE: WET WELL TOP SLAB IS H-20 FULL TRAFFIC RATED



INVERT ELEVATION - 2739.25'
INFLUENT SEWER (BY OTHERS)
21" RCP

INVERT ELEVATION - 2738.52'
INFLUENT SEWER (BY OTHERS)
8" PVC

SENSOR AND ELEVATION TABLE		
LEVEL ELEVATION	DISTANCE BETWEEN POINTS	SET POINT DESCRIPTION
2738.52		INVERT IN
N/A		BACK UP PUMPS START
	N/A	SENSOR SPACING
N/A		BACK UP PUMPS STOP
	N/A	SENSOR SPACING
N/A		BACK UP HL ALARM
2738.00		HIGH LEVEL ALARM
	0.00	SENSOR SPACING
2738.00		LAG PUMP START
	0.50	SENSOR SPACING
2737.50		LEAD PUMP START
	1.00	SENSOR SPACING
2736.50		PUMP STOP
	2.00	DISTANCE TO FLOOR
2734.50		FLOOR ELEVATION



NOTE: ALL DIMENSIONS AND ELEVATIONS SHOWN ARE NOMINAL DIMENSIONS. IT IS THE RESPONSIBILITY OF THE ON-SITE CONTRACTOR OR ROMTEC UTILITIES CUSTOMER (NOT ROMTEC UTILITIES) TO VERIFY THE ACCURACY OF ANY CRITICAL DIMENSIONS OR ELEVATIONS PRIOR TO SETTING OR INSTALLING ANY EQUIPMENT.

**5' DIAMETER WET WELL
3" DISCHARGE PIPING
80DVFMU61.5 EBARA PUMPS
3" VALVE VAULT**

ALL MATERIALS SHOWN ON THIS SHEET WILL BE SUPPLIED BY ROMTEC UTILITIES AND DELIVERED TO THE SITE AFTER THE HOLE HAS BEEN EXCAVATED AND SHORED. THE CONTRACTOR SHALL SUPPLY A CRANE OF SUFFICIENT SIZE TO LOWER ALL THE CONCRETE PIECES INTO THE HOLE SAFELY. THE CONTRACTOR SHALL INSTALL THE WET WELL (AND VALVE VAULT AND METERING VAULT IF APPLICABLE). ROMTEC UTILITIES WILL PROVIDE A REPRESENTATIVE FOR TECHNICAL ASSISTANCE ON THE DAY OF INSTALLATION TO ANSWER ANY QUESTIONS THAT MAY ARISE. THE CONTRACTOR IS RESPONSIBLE FOR ALL PLUMBING AND ELECTRICAL CONNECTIONS AND INSTALLATION. ITEMS NOTED AS "BY OTHERS" WILL BE PROVIDED AND INSTALLED BY THE CONTRACTOR. ROMTEC UTILITIES WILL NOT INSTALL ANY OF THE COMPONENTS SHOWN ON THIS PAGE.

© 2015 ROMTEC INC. ALL RIGHTS RESERVED. THESE PLANS AND DRAWINGS MAY NOT BE REPRODUCED, ADAPTED, OR FURTHER DISTRIBUTED, AND NO COMPONENTS MAY BE CONSTRUCTED FROM THESE PLANS, WITHOUT WRITTEN PERMISSION OF ROMTEC, INC.

VERIFY SCALE
BAR IS ONE INCH ON ORIGINAL DRAWING
1"
0
IF NOT ONE INCH ON THIS SHEET, ADJUST SCALES ACCORDINGLY

DSN - AD	REV	DATE	APPROV
DRN - AD	1	9-21-15	KB
CKD - AD		7-17-15	AD

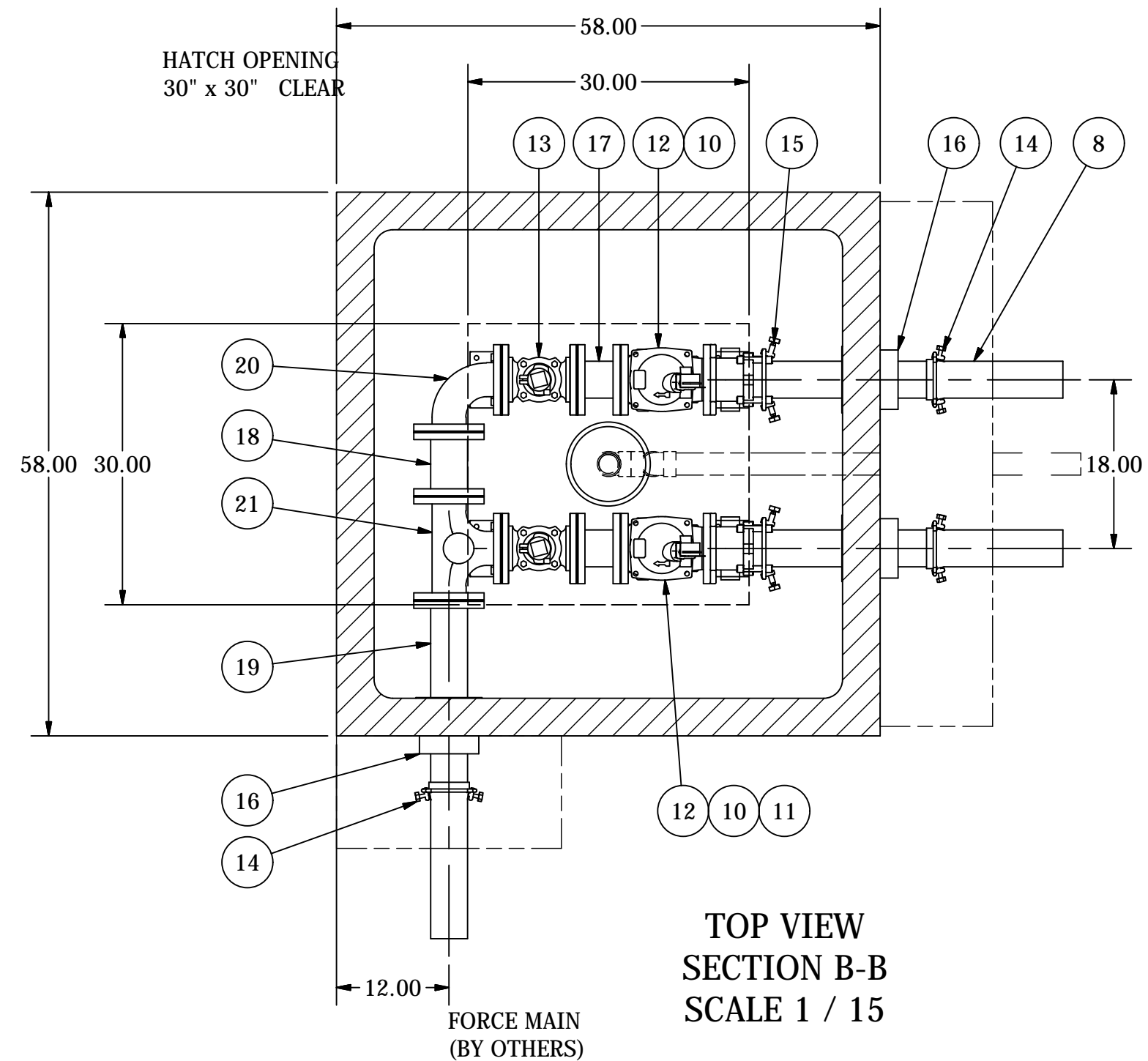
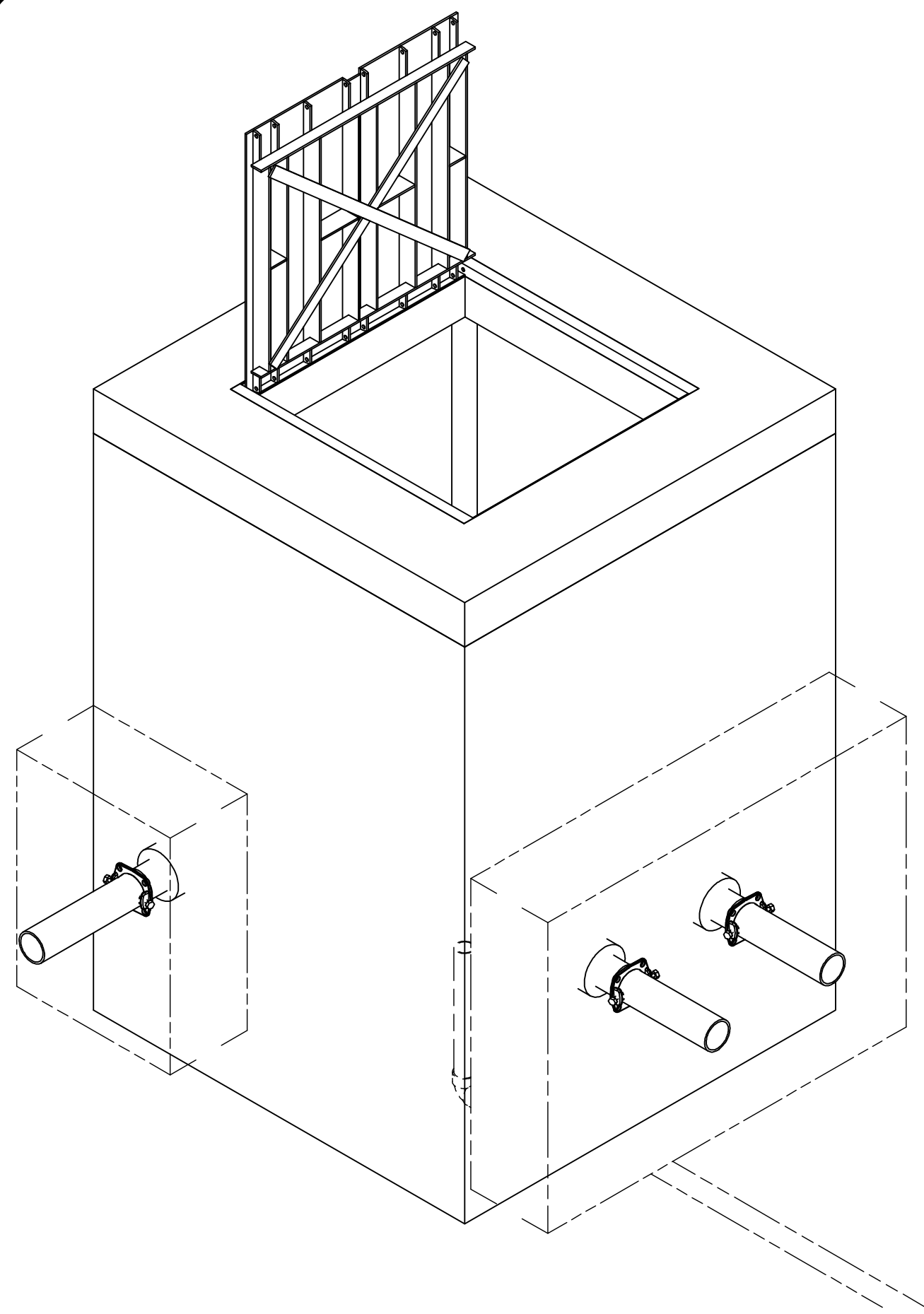
COMPONENT DRAWING

ROMTEC UTILITIES
18240 NORTH BANK ROAD
ROSEBURG, OREGON 97470
(541) 496-9678
FAX (541) 496-0804

**10th ST. LIFT STATION
5FT WET WELL - 3in PIPING**

SHEET
1 OF 1
JOB NUMBER
**RMTC
0000**

ADJUST BARRIS AND DISCH. ELEV.	10-9-15	KB
REVISER PER LAUNCH MEETING	9-21-15	AD
DESCRIPTION	DATE	APPROV
REV		
DATE - 7-17-15		



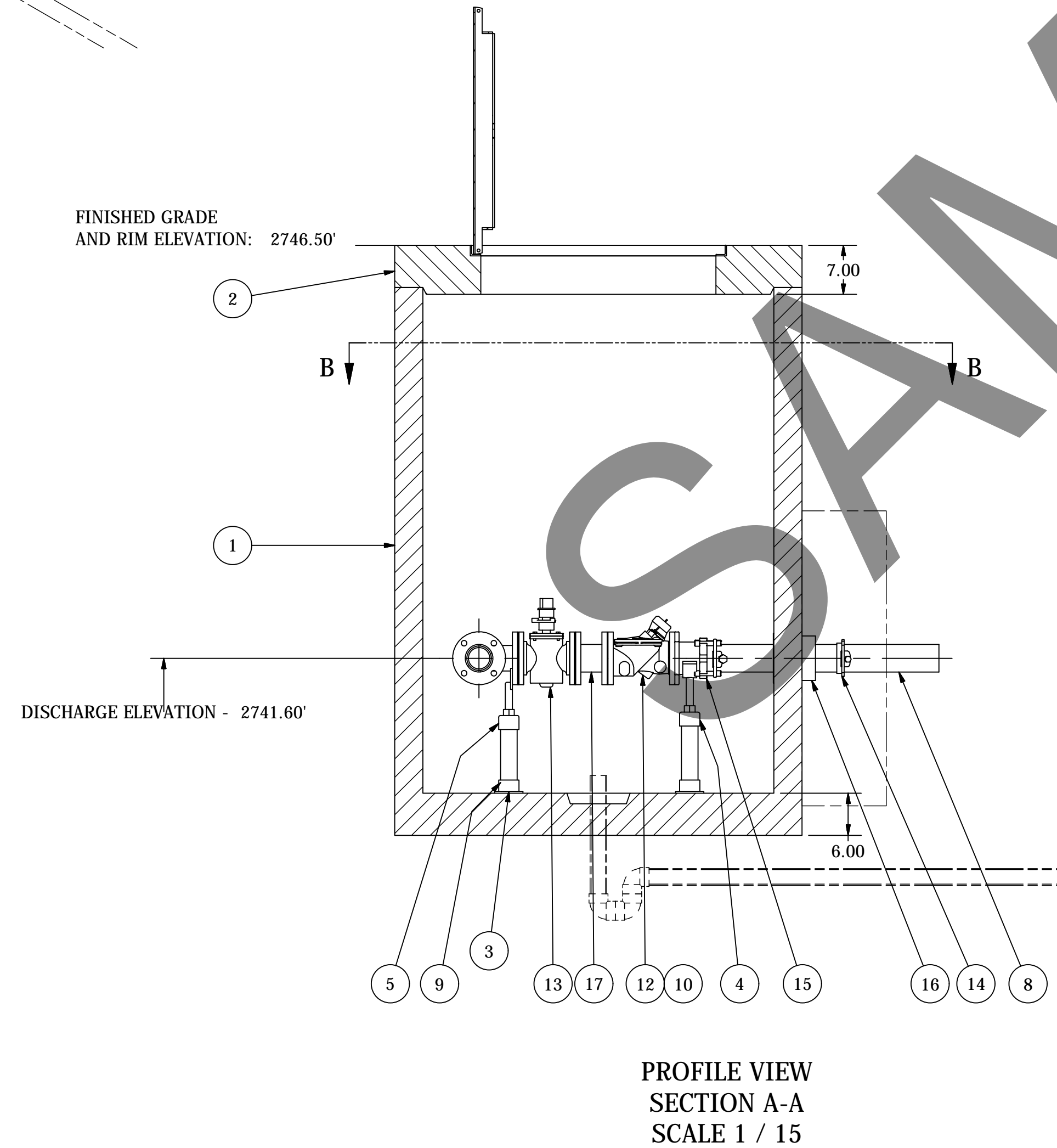
12" THICK CAST IN PLACE
CONCRETE THRUST RESTRAINT
COLLAR.
(BOTH ENDS - BY OTHERS)

NOTE: VAULT TOP SLAB IS H-20 OCCASIONAL RATED

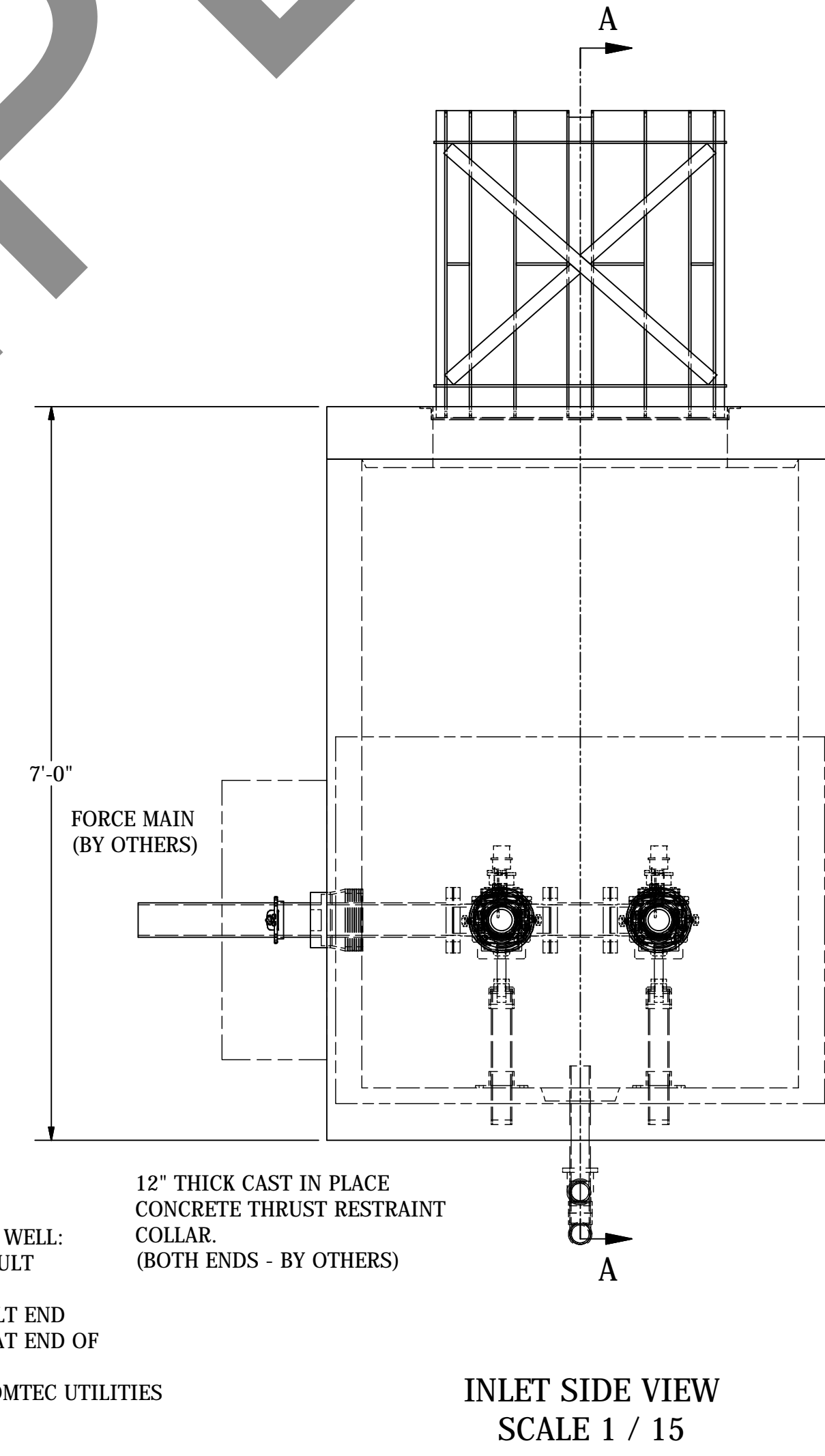
**507 VALVE VAULT
3" PIPING AND VALVES**

PRECAST CONCRETE VAULT
WITH EXTENSION(S)
AS REQUIRED
UTILITY VAULT MODEL 507

PRECAST LID WITH
GALV STEEL VAULT HATCH



DRAIN BACK TO WET WELL:
3" PLAIN HOLE IN VAULT
(PROVIDED)
2" PEE TRAP ON VAULT END
WITH CHECK VALVE AT END OF
PIPE IN WET WELL.
(BY OTHERS) NOT ROMTEC UTILITIES



12" THICK CAST IN PLACE
CONCRETE THRUST RESTRAINT
COLLAR.
(BOTH ENDS - BY OTHERS)

ALL MATERIALS SHOWN ON THIS SHEET WILL BE SUPPLIED BY ROMTEC UTILITIES AND DELIVERED TO THE SITE AFTER THE HOLE HAS BEEN EXCAVATED AND SHORED. THE CONTRACTOR SHALL SUPPLY A CRANE OF SUFFICIENT SIZE TO LOWER ALL THE CONCRETE PIECES INTO THE HOLE SAFELY. THE CONTRACTOR SHALL INSTALL THE WET WELL (AND VALVE VAULT AND METERING VAULT IF APPLICABLE). ROMTEC UTILITIES WILL PROVIDE A REPRESENTATIVE FOR TECHNICAL ASSISTANCE ON THE DAY OF INSTALLATION TO ANSWER ANY QUESTIONS THAT MAY ARISE. THE CONTRACTOR IS RESPONSIBLE FOR ALL PLUMBING AND ELECTRICAL CONNECTIONS AND INSTALLATION. ITEMS NOTED AS "BY OTHERS" WILL BE PROVIDED AND INSTALLED BY THE CONTRACTOR. ROMTEC UTILITIES WILL NOT INSTALL ANY OF THE COMPONENTS SHOWN ON THIS PAGE.

© 2015 ROMTEC INC. ALL RIGHTS RESERVED. THESE PLANS AND DRAWINGS MAY NOT BE REPRODUCED, ADAPTED, OR FURTHER DISTRIBUTED, AND NO COMPONENTS MAY BE CONSTRUCTED FROM THESE PLANS, WITHOUT WRITTEN PERMISSION OF ROMTEC, INC.

VERIFY SCALE BAR IS ONE INCH ON ORIGINAL DRAWING	1"	REV	DESCRIPTION	DATE	APPROV
0	IF NOT ONE INCH ON THIS SHEET, ADJUST SCALE ACCORDINGLY	0	INITIAL DESIGN	7-16-15	KB
1	ADJUSTED DISCHARGE ELEVATION	1	DATE	7-16-15	KB
DSN - KEVIN BOGAN	REV	1	REVISION HISTORY		
DRN - KEVIN BOGAN		0			
CKD -					
DATE - 7-16-15					

**COMPONENT
DRAWING**

**ROMTEC
UTILITIES**
18240 NORTH BANK ROAD
ROSEBURG, OREGON 97470
(541) 496-9678
FAX (541) 496-0804

CITY OF VICTORVILLE
**10th ST. LIFT STATION
VALVE VAULT ASSEMBLY**

SHEET
2 OF 2

JOB NUMBER
**RMTC
0000**

NOTE: ALL DIMENSIONS AND ELEVATIONS SHOWN ARE NOMINAL DIMENSIONS. IT IS THE RESPONSIBILITY OF THE ON-SITE CONTRACTOR OR ROMTEC UTILITIES CUSTOMER (NOT ROMTEC UTILITIES) TO VERIFY THE ACCURACY OF ANY CRITICAL DIMENSIONS OR ELEVATIONS PRIOR TO SETTING OR INSTALLING ANY EQUIPMENT.