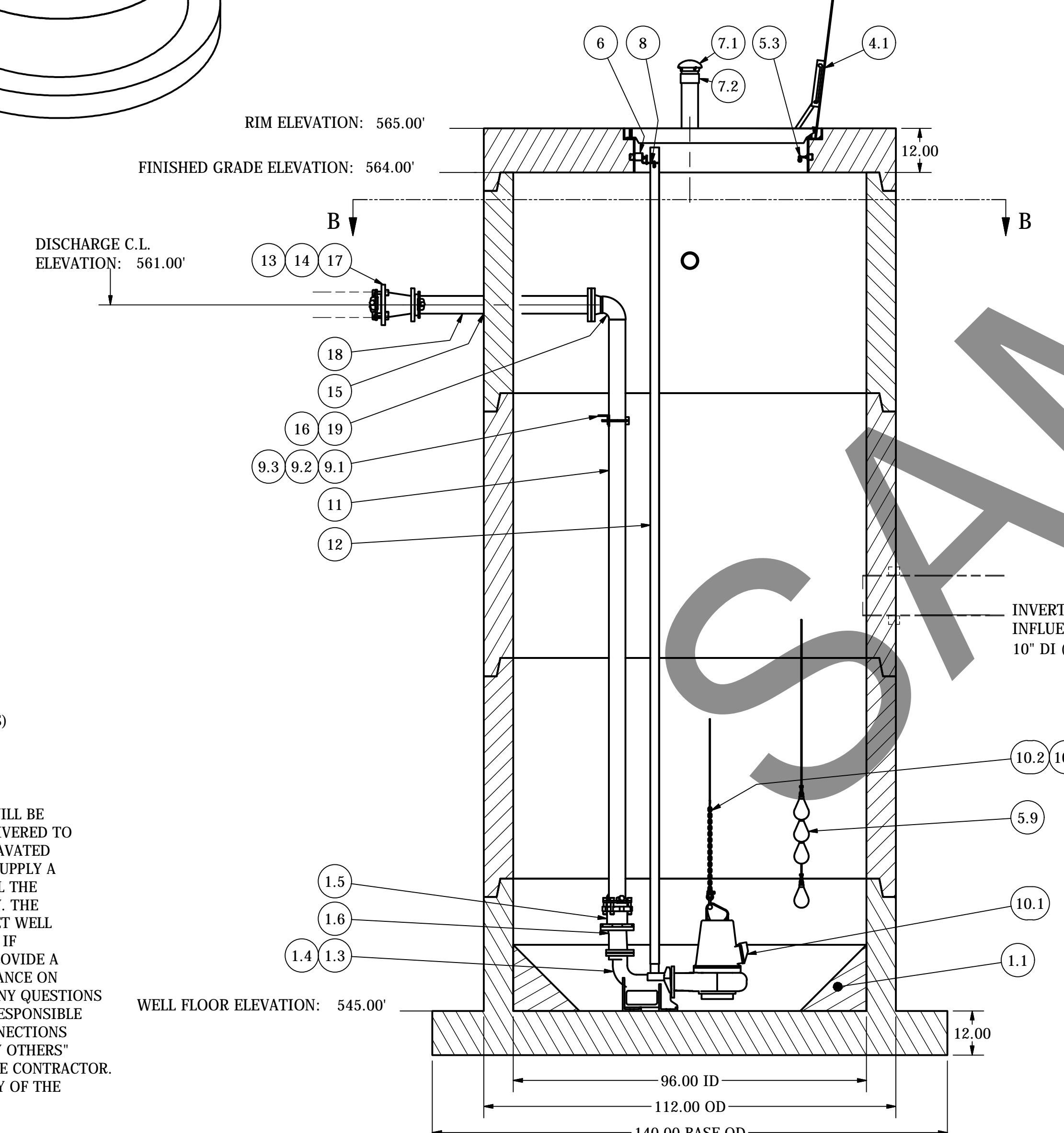


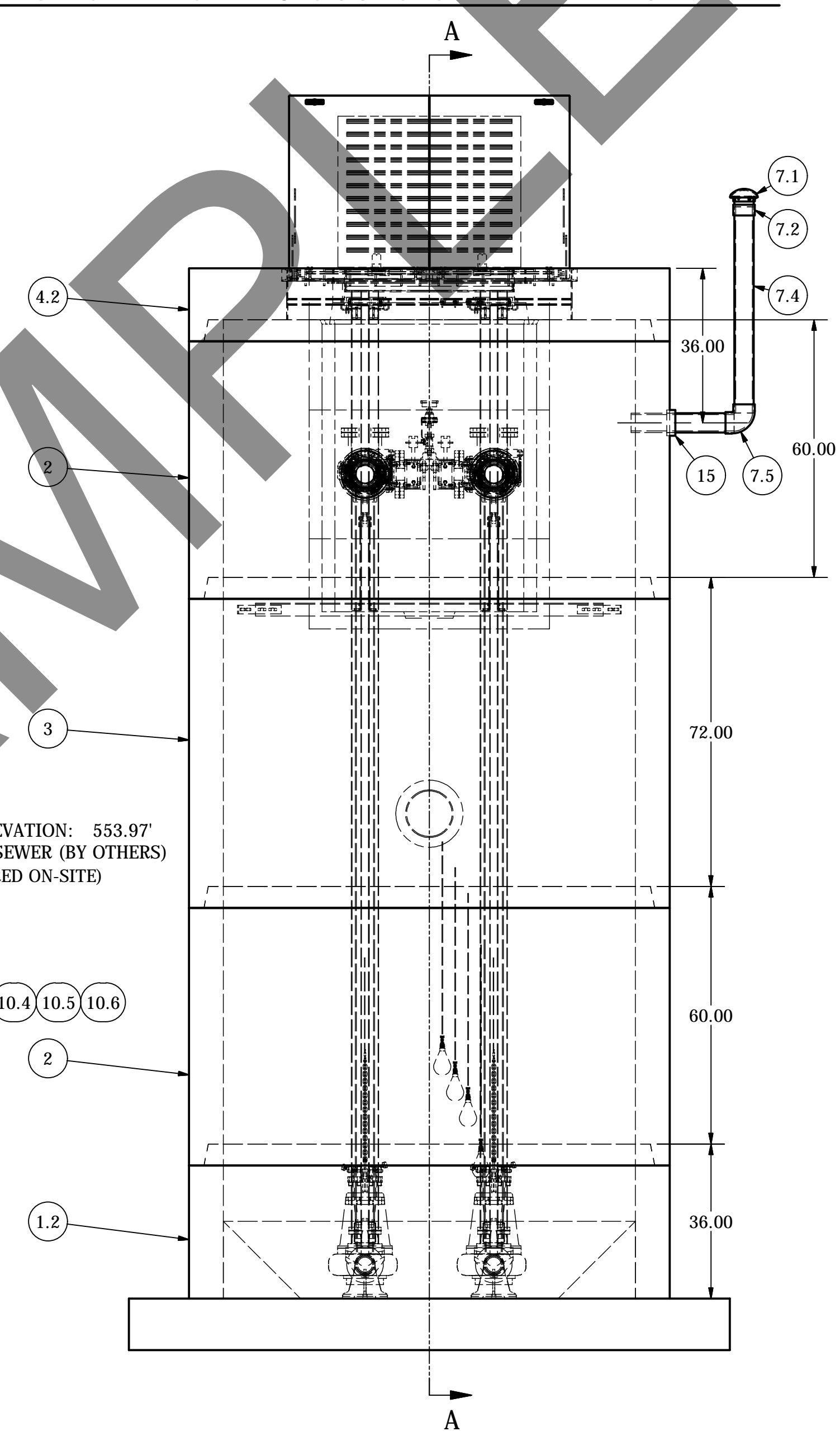
SENSOR AND ELEVATION TABLE		
LEVEL ELEVATION	DISTANCE BETWEEN POINTS	SET POINT DESCRIPTION
553.97'		INVERT IN
---		BACK UP PUMPS START
---		SENSOR SPACING
---		BACK UP PUMPS STOP
---		SENSOR SPACING
---		BACK UP HL ALARM
549.50'		HIGH LEVEL ALARM
549.00'	0.50'	SENSOR SPACING
549.00'		LAG PUMP START
548.50'	0.50'	SENSOR SPACING
548.50'		LEAD PUMP START
547.50'	1.00'	SENSOR SPACING
547.50'		PUMP STOP
545.00'	2.50'	DISTANCE TO FLOOR
545.00'		FLOOR ELEVATION

**NOTE: WET WELL TOP SLAB IS H-20 OCCASIONAL TRAFFIC RATED**

TOP VIEW SECTION B-B SCALE 1 / 25  
PUMPS AND ALL ASSOCIATED ACCESSORIES ARE BEING SUPPLIED BY OTHERS



PROFILE VIEW SECTION A-A SCALE 1 / 25



FRONT VIEW SCALE 1 / 25

NOTE:  
CONDUIT TO CONTROL PANEL (BY OTHERS)  
MINIMUM:  
(2) FOR POWER  
(1) FOR LEVEL SENSING

ALL MATERIALS SHOWN ON THIS SHEET WILL BE SUPPLIED BY ROMTEC UTILITIES AND DELIVERED TO THE SITE AFTER THE HOLE HAS BEEN EXCAVATED AND SHORED. THE CONTRACTOR SHALL SUPPLY A CRANE OF SUFFICIENT SIZE TO LOWER ALL THE CONCRETE PIECES INTO THE HOLE SAFELY. THE CONTRACTOR SHALL INSTALL THE WET WELL (AND VALVE VAULT AND METERING VAULT IF APPLICABLE). ROMTEC UTILITIES WILL PROVIDE A REPRESENTATIVE FOR TECHNICAL ASSISTANCE ON THE DAY OF INSTALLATION TO ANSWER ANY QUESTIONS THAT MAY ARISE. THE CONTRACTOR IS RESPONSIBLE FOR ALL PLUMBING AND ELECTRICAL CONNECTIONS AND INSTALLATION. ITEMS NOTED AS "BY OTHERS" WILL BE PROVIDED AND INSTALLED BY THE CONTRACTOR. ROMTEC UTILITIES WILL NOT INSTALL ANY OF THE COMPONENTS SHOWN ON THIS PAGE.

© 2015 ROMTEC INC. ALL RIGHTS RESERVED. THESE PLANS AND DRAWINGS MAY NOT BE REPRODUCED, ADAPTED, OR FURTHER DISTRIBUTED, AND NO COMPONENTS MAY BE CONSTRUCTED FROM THESE PLANS, WITHOUT WRITTEN PERMISSION OF ROMTEC, INC.

**8' DIAMETER WET WELL  
4" DISCHARGE PIPING  
FLYGT DP8053MT PUMPS  
4" 577 VALVE VAULT**

577 VALVE VAULT ASSEMBLY  
SEE SHEET 2

NOTE: ALL DIMENSIONS AND ELEVATIONS SHOWN ARE NOMINAL DIMENSIONS. IT IS THE RESPONSIBILITY OF THE ON-SITE CONTRACTOR OR ROMTEC UTILITIES CUSTOMER (NOT ROMTEC UTILITIES) TO VERIFY THE ACCURACY OF ANY CRITICAL DIMENSIONS OR ELEVATIONS PRIOR TO SETTING OR INSTALLING ANY EQUIPMENT.

DUKE ENERGY

**ROMTEC UTILITIES**  
18240 NORTH BANK ROAD  
ROSEBURG, OREGON 97470  
(541) 496-9678  
FAX (541) 496-0804

**DAN RIVERS INDUSTRIAL  
WET WELL ASSEMBLY**

SHEET  
**1 of 2**

JOB NUMBER  
**RMTC  
0000**

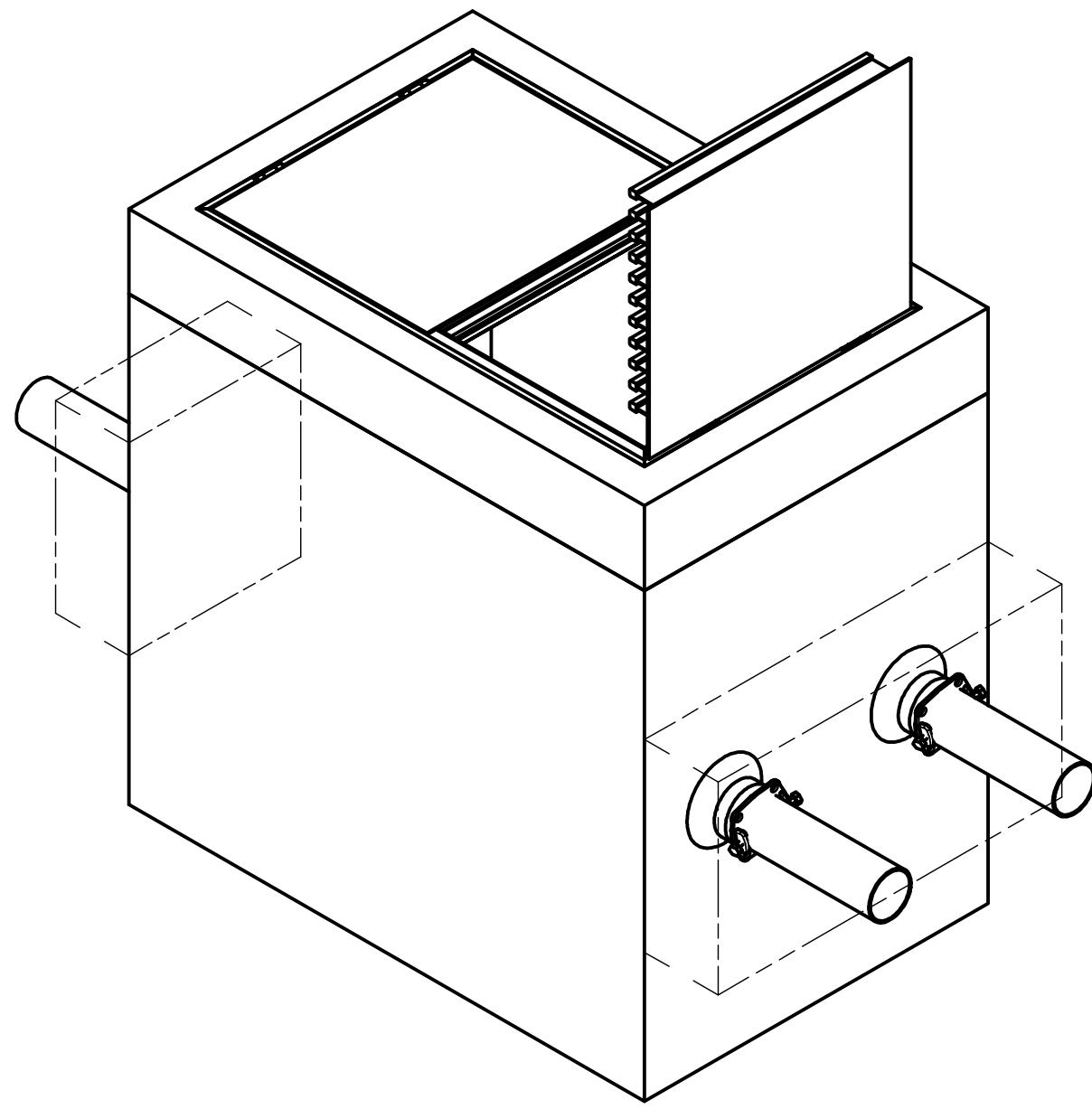
REV	DESCRIPTION	DATE	APPROV
0	INITIAL / PUMP CHANGE TO 5hp	7-27-15	AD
1	REMOVE CHECKS / ADD VALVE VAULT	7-19-15	AD
2	TRANSITION IN WW	11-10-15	KB
2.1	EDIT ELEVATIONS / ADD 4th FLOOR / SS TO DI	11-11-15	KB
3	4in to 6in REDUCER BETWEEN WW AND WV CORRECTED PUMP INFO	11-16-15	KB

REVISION HISTORY

VERIFY SCALE  
BAR IS ONE INCH ON ORIGINAL DRAWING  
0 IF NOT ONE INCH ON THIS SHEET, ADJUST SCALES ACCORDINGLY

1"  
DSN - KB / AD  
DRN - KEVIN BOGAN  
CKD - KEVIN BOGAN  
DATE - 11-10-15

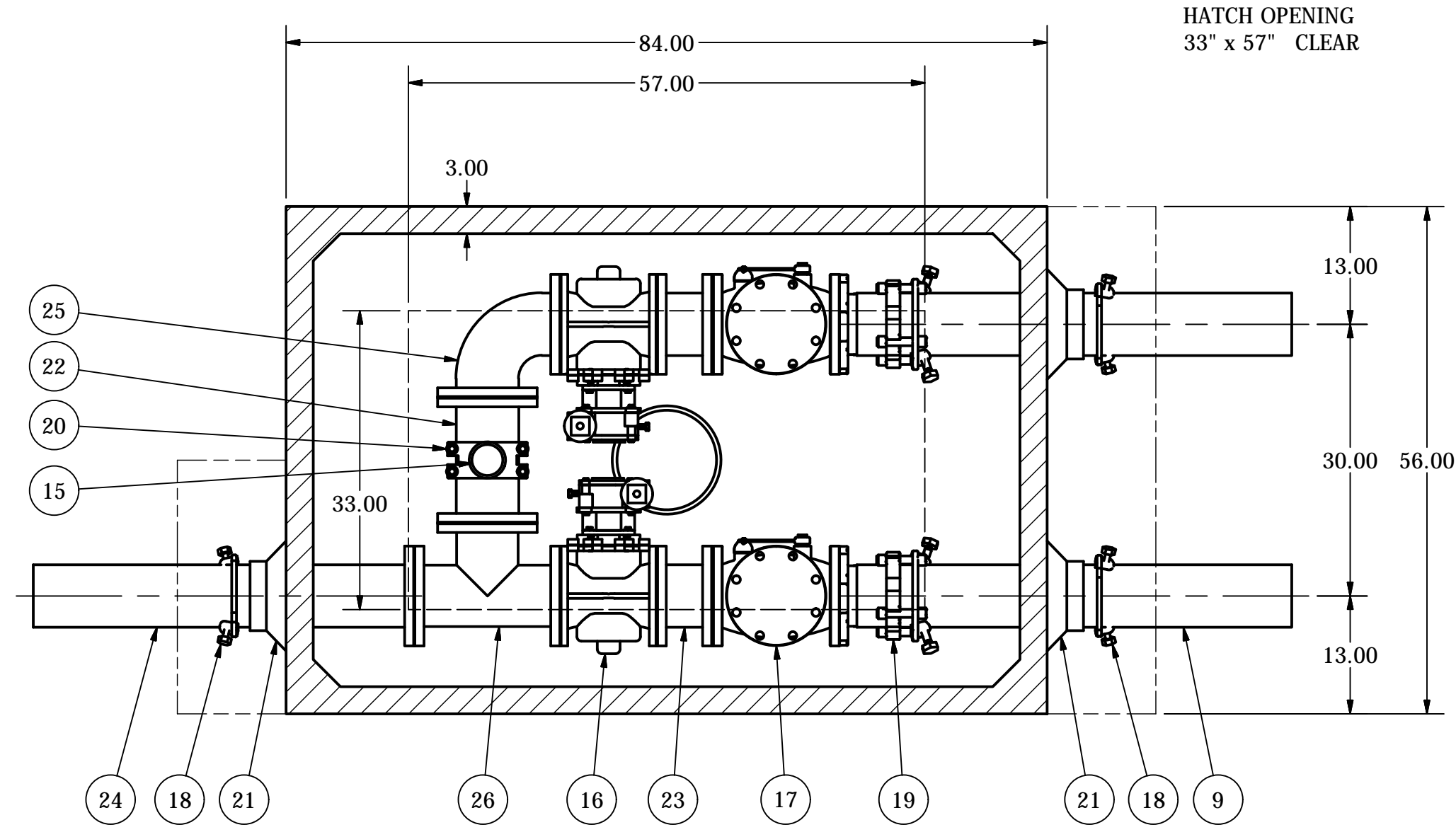
**COMPONENT DRAWING**



**577 VALVE VAULT**  
**4" PIPING AND VALVES**  
**W/ 6" OUTLET AND PRESSURE GAUGE**

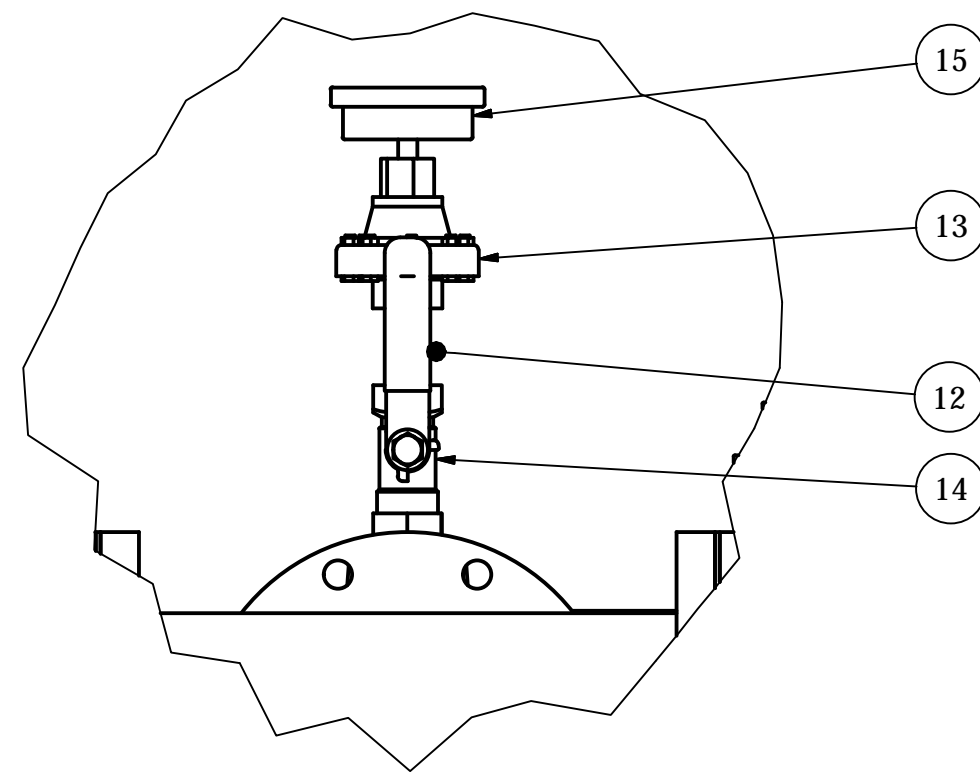
FORCE MAIN  
 (BY OTHERS)

12" THICK CAST IN PLACE  
 CONCRETE THRUST RESTRAINT  
 COLLAR.  
 (BOTH ENDS - BY OTHERS)

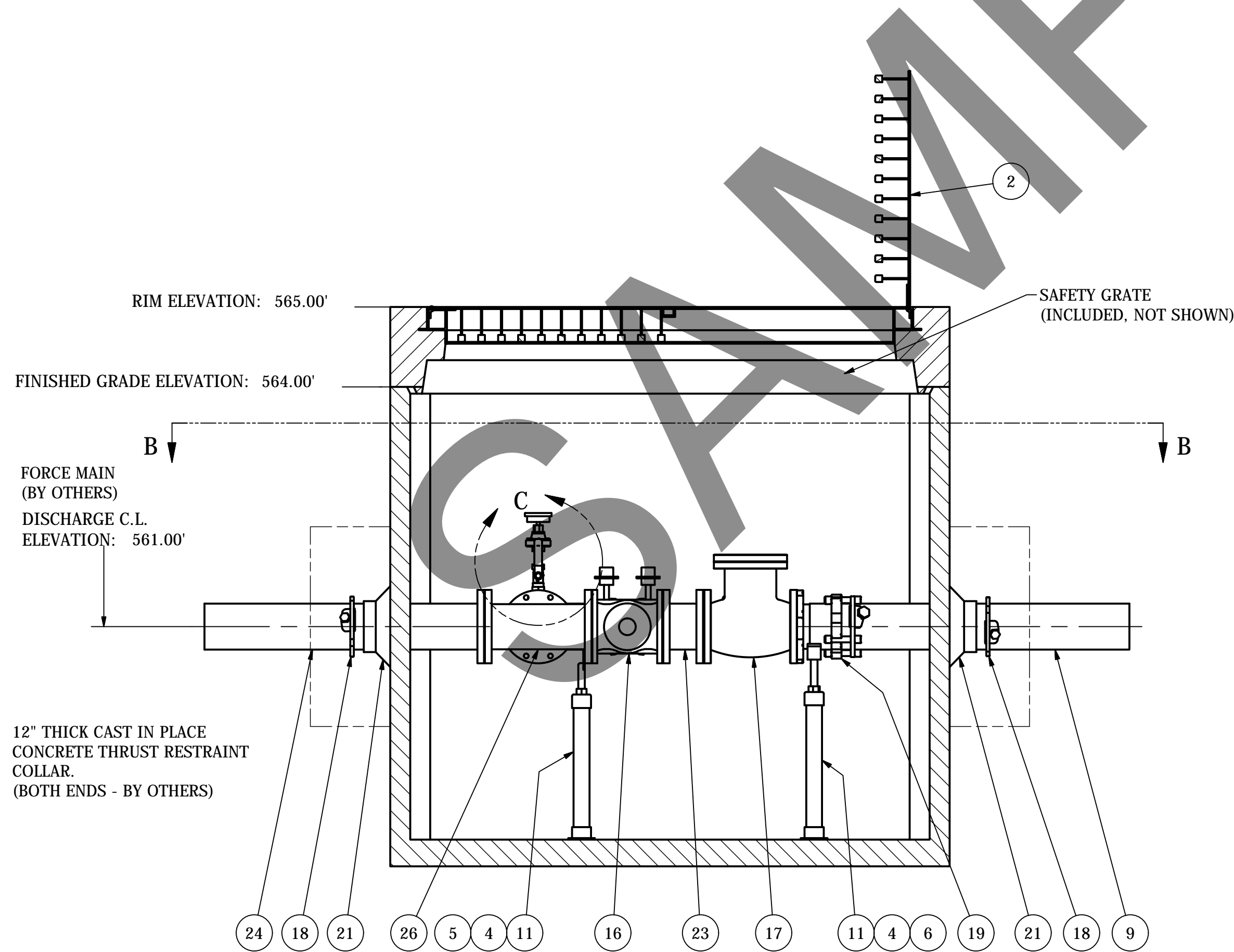


TOP VIEW  
 SECTION B-B  
 SCALE 1 / 15

**NOTE: VAULT TOP SLAB IS H-20 OCCASIONAL RATED**

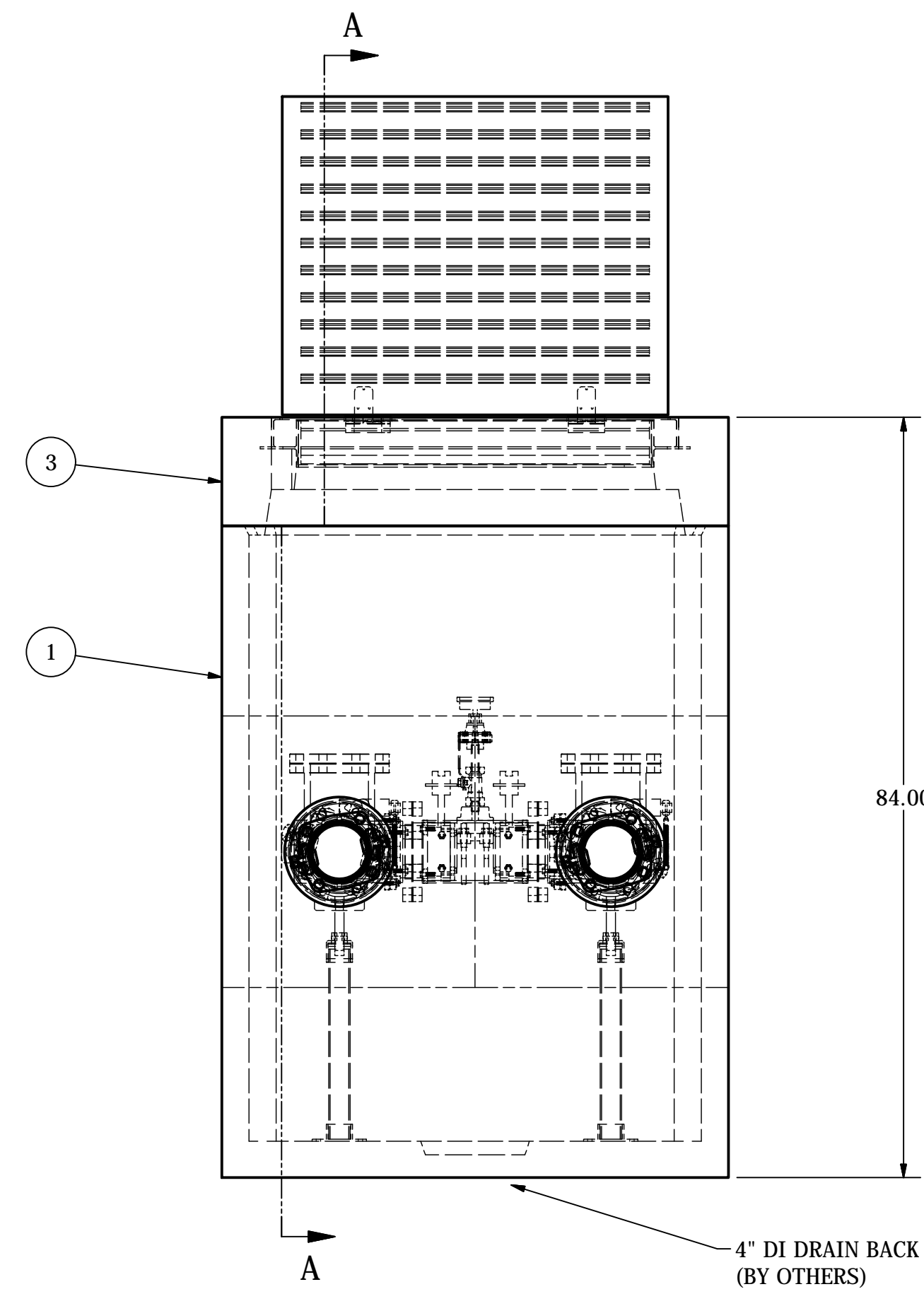


PRESSURE GAUGE ASSEMBLY  
 DETAIL C  
 SCALE 1 / 5



PROFILE VIEW  
 SECTION A-A  
 SCALE 1 / 15

12" THICK CAST IN PLACE  
 CONCRETE THRUST RESTRAINT  
 COLLAR.  
 (BOTH ENDS - BY OTHERS)



FRONT VIEW  
 SCALE 1 / 15

PRECAST LID WITH  
 ALUMINUM VAULT HATCH

PRECAST CONCRETE VAULT  
 WITH EXTENSION(S)  
 AS REQUIRED  
 UTILITY VAULT MODEL 577

NOTE: ALL DIMENSIONS AND ELEVATIONS SHOWN  
 ARE NOMINAL DIMENSIONS. IT IS THE RESPONSIBILITY  
 OF THE ON-SITE CONTRACTOR OR ROMTEC UTILITIES  
 CUSTOMER (NOT ROMTEC UTILITIES) TO VERIFY THE  
 ACCURACY OF ANY CRITICAL DIMENSIONS OR ELEVATIONS  
 PRIOR TO SETTING OR INSTALLING ANY EQUIPMENT.

© 2015 ROMTEC INC. ALL RIGHTS RESERVED. THESE  
 PLANS AND DRAWINGS MAY NOT BE REPRODUCED,  
 ADAPTED, OR FURTHER DISTRIBUTED, AND NO  
 COMPONENTS MAY BE CONSTRUCTED FROM THESE  
 PLANS, WITHOUT WRITTEN PERMISSION OF ROMTEC, INC.

REV	DESCRIPTION	DATE	APPROV
0	INITIAL DESIGN	7-29-15	KB
1	ADD PRESS. GAUGE / 6in. OUTLET	11-10-15	KB
2	CHANGED VALVES/PIPING TO 6in	11-16-15	KB

VERIFICATION HISTORY

VERIFY SCALE  
 BAR IS ONE INCH ON  
 ORIGINAL DRAWING

1"  
 IF NOT ONE INCH ON  
 THIS SHEET, ADJUST  
 SIZES ACCORDINGLY

0

DSN - AD / KB  
 DRN - KEVIN BOGAN  
 CKD - KEVIN BOGAN  
 DATE - 11-10-15

**COMPONENT  
 DRAWING**

**ROMTEC  
 UTILITIES**  
 18240 NORTH BANK ROAD  
 ROSEBURG, OREGON 97470  
 (541) 496-9678  
 FAX (541) 496-0804

DAN RIVERS INDUSTRIAL  
 VALVE VAULT DRAWING

SHEET  
**2 OF 2**

JOB NUMBER  
**RMTC  
 0000**