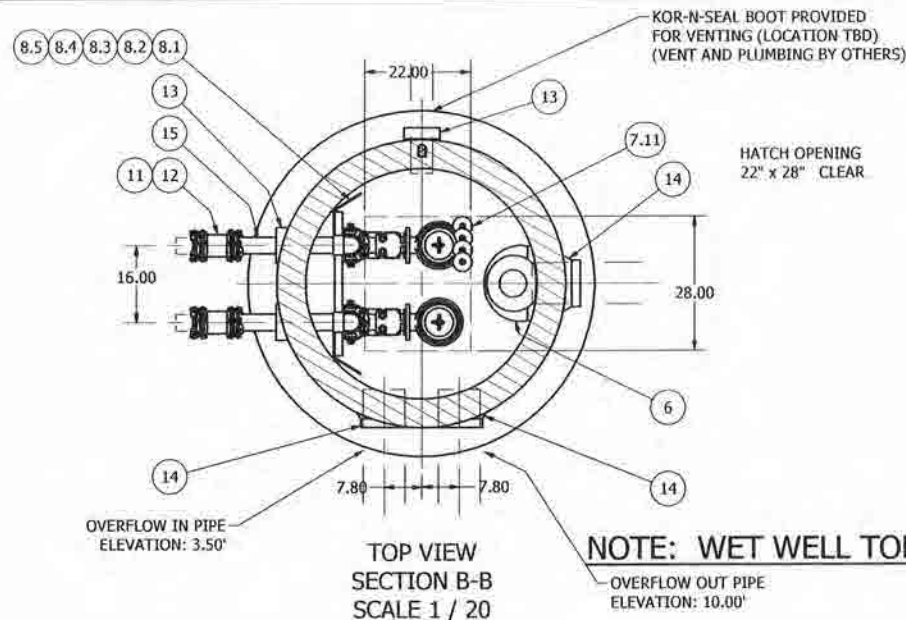


4' DIAMETER WET WELL
 3" DISCHARGE PIPING
 EBARA 80DVBFMU63.7 PUMPS
 3" PVC / 506 VALVE VAULT

NOTE:
 CONDUIT TO CONTROL PANEL (BY OTHERS)
 MINIMUM:
 (2) FOR POWER
 (1) FOR LEVEL SENSING

ALL MATERIALS SHOWN ON THIS SHEET WILL BE SUPPLIED BY ROMTEC UTILITIES AND DELIVERED TO THE SITE AFTER THE HOLE HAS BEEN EXCAVATED AND SHORED. THE CONTRACTOR SHALL SUPPLY A CRANE OF SUFFICIENT SIZE TO LOWER ALL THE CONCRETE PIECES INTO THE HOLE SAFELY. THE CONTRACTOR SHALL INSTALL THE WET WELL (AND VALVE VAULT AND METERING VAULT IF APPLICABLE). ROMTEC UTILITIES WILL PROVIDE A REPRESENTATIVE FOR TECHNICAL ASSISTANCE ON THE DAY OF INSTALLATION TO ANSWER ANY QUESTIONS THAT MAY ARISE. THE CONTRACTOR IS RESPONSIBLE FOR ALL PLUMBING AND ELECTRICAL CONNECTIONS AND INSTALLATION. ITEMS NOTED AS "BY OTHERS" WILL BE PROVIDED AND INSTALLED BY THE CONTRACTOR. ROMTEC UTILITIES WILL NOT INSTALL ANY OF THE COMPONENTS SHOWN ON THIS PAGE.

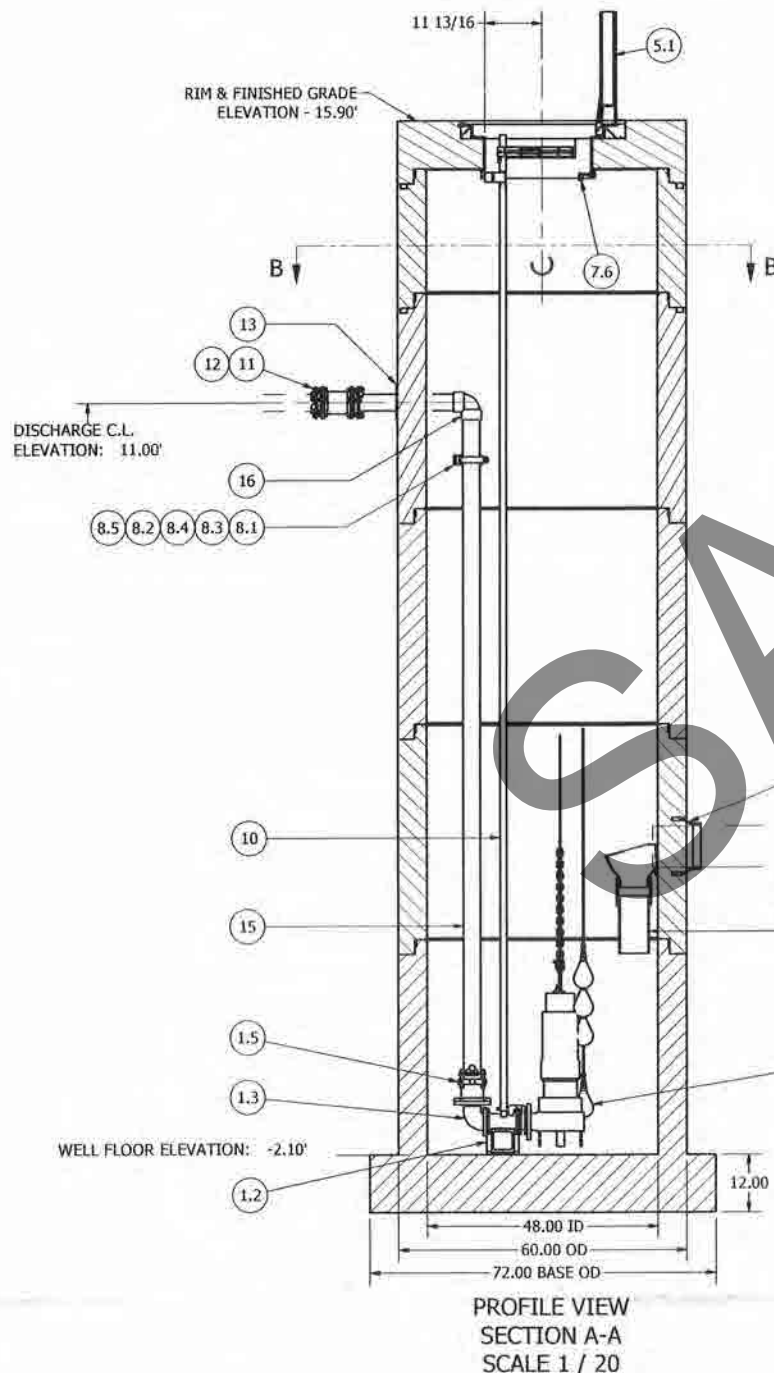
© 2015 ROMTEC INC. ALL RIGHTS RESERVED. THESE PLANS AND DRAWINGS MAY NOT BE REPRODUCED, ADAPTED, OR FURTHER DISTRIBUTED, AND NO COMPONENTS MAY BE CONSTRUCTED FROM THESE PLANS, WITHOUT WRITTEN PERMISSION OF ROMTEC, INC.



TOP VIEW
 SECTION B-B
 SCALE 1 / 20

NOTE: WET WELL TOP SLAB IS H-20 OCCASIONAL TRAFFIC RATED

SENSOR AND ELEVATION TABLE		
LEVEL ELEVATION	DISTANCE BETWEEN POINTS	SET POINT DESCRIPTION
2.92'		INVERT IN
---		BACK UP PUMPS START
---		SENSOR SPACING
---		BACK UP PUMPS STOP
---		SENSOR SPACING
2.40'		BACK UP HL ALARM
1.90'	0.50'	SENSOR SPACING
1.40'	0.50'	LAG PUMP START
---		SENSOR SPACING
-0.60'	2.00'	LEAD PUMP START
---		SENSOR SPACING
-2.10'	1.50'	PUMP STOP
		DISTANCE TO FLOOR
		FLOOR ELEVATION



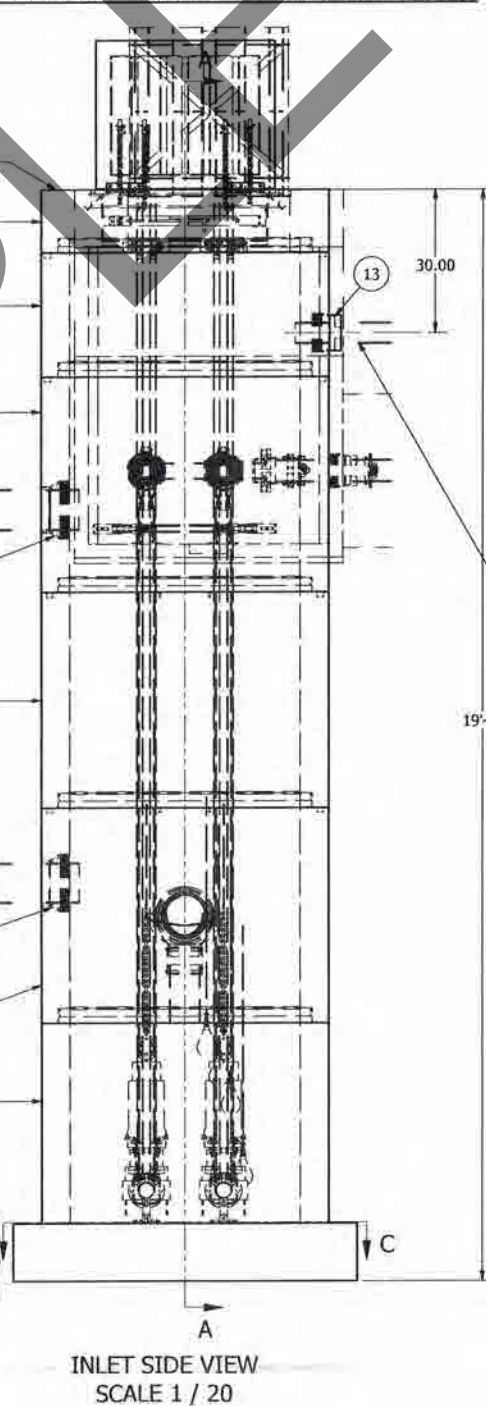
PROFILE VIEW
 SECTION A-A
 SCALE 1 / 20

NOTE:
 THE INSIDE OF THE
 WET WELL IS
 AMERON T-LOCK
 LINED.

INVERT ELEVATION: 10.00'
 OVERFLOW SEWER OUT (BY OTHERS)
 8" PVC

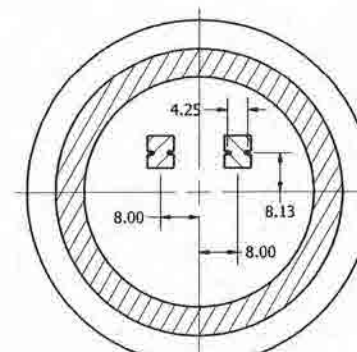
INVERT ELEVATION: 3.50'
 OVERFLOW SEWER IN (BY OTHERS)
 8" PVC

INVERT ELEVATION: 2.92'
 INFLUENT SEWER (BY OTHERS)
 8" PVC



INLET SIDE VIEW
 SCALE 1 / 20

NOTE: WET WELL IS AMERON T-LOCK (PVC) LINED
 NOTE: ACCESS HATCH MATERIAL IS ALUMINUM



ANCHOR BOLT LAYOUT
 SECTION C-C
 SCALE 1 / 20

NOTE: ALL DIMENSIONS AND ELEVATIONS SHOWN ARE NOMINAL DIMENSIONS. IT IS THE RESPONSIBILITY OF THE ON-SITE CONTRACTOR OR ROMTEC UTILITIES CUSTOMER (NOT ROMTEC UTILITIES) TO VERIFY THE ACCURACY OF ANY CRITICAL DIMENSIONS OR ELEVATIONS PRIOR TO SETTING OR INSTALLING ANY EQUIPMENT.

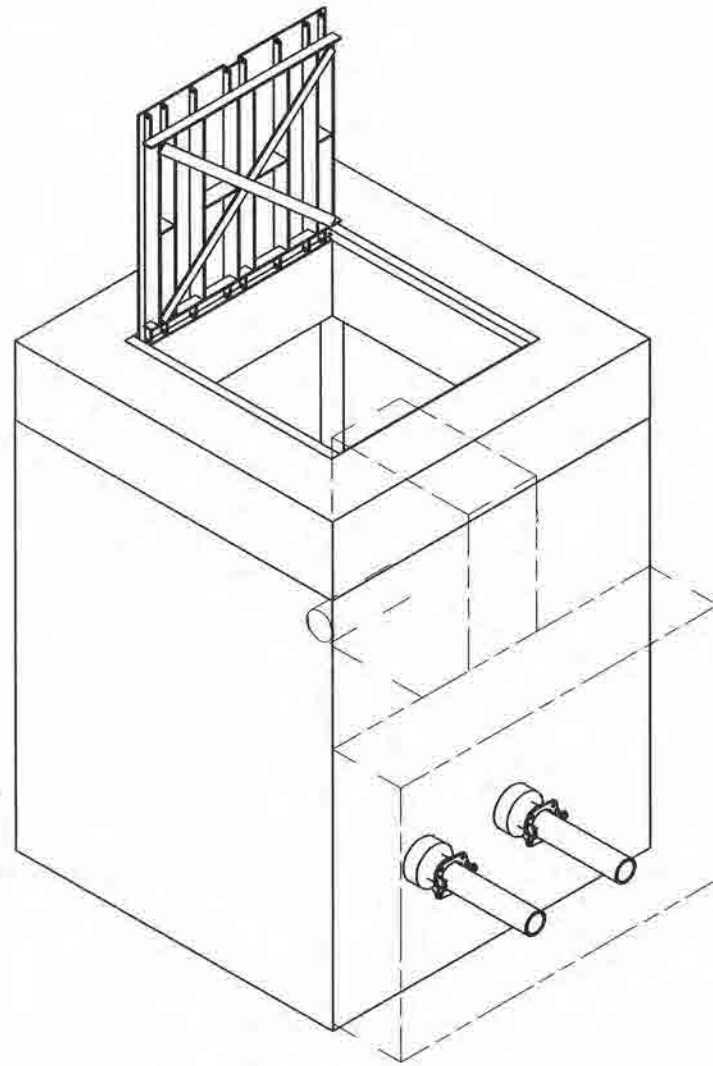
REV	DESCRIPTION	DATE	APPROV
0	INITIAL DESIGN	7-16-15	KB
1	PUMP CHANGE, ADD T-LOCK, REMOVE VENT	8-4-15	KB
2	PUMP CHANGE FOR 4in FM, ADD 1in BARREL, ADD INLET AND OUTLET PIPES FOR STORAGE	10-12-15	KB
3	POWER CHANGE TO 208V/3PHASE	12-23-15	AD
4	REVISED TO FLOOD TIGHT HATCH	5-23-16	AD
5	NEW RIM ELEV. PER COMMENTS 5-20-16	5-26-16	AD
6	CHANGES TO MATCH PRECASTER	5-26-16	AD

VERIFY SCALE
 1" = 1'-0"
 0
 1" = 1'-0"
 IN SET ONE INCH ON THIS SHEET, ADJUST SCALES ACCORDINGLY.
 DSN - KEVIN BOGAN
 DRN - KEVIN BOGAN
 CKD -
 DATE - 7-16-15

ROMTEC UTILITIES
 18240 NORTH BANK ROAD
 ROSEBURG, OREGON 97470
 (541) 496-9678
 FAX (541) 496-0804

FUSCOE ENGINEERING
 TREVOR DODSON
 CONDOMINIUMS AT DEL OBISPO
 WET WELL ASSEMBLY

SHEET
 1 OF 2
 JOB NUMBER
 RMTCT
 0000



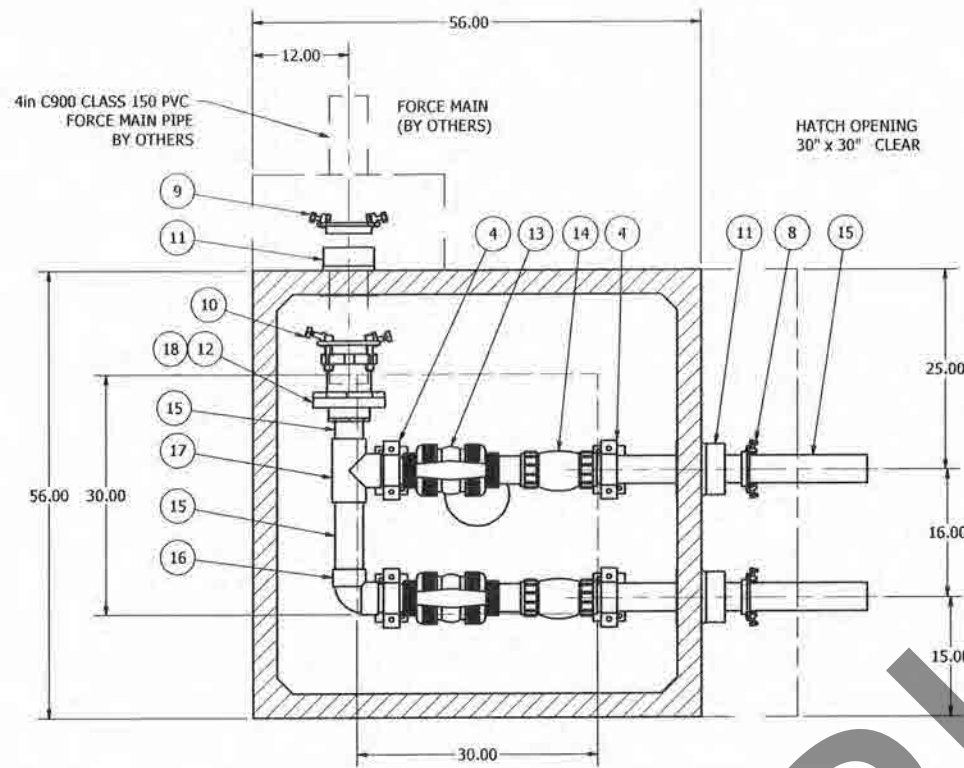
506 VALVE VAULT
3" PVC PIPING AND VALVES
4" OUTLET

PRECAST CONCRETE VAULT
 WITH EXTENSION(S)
 AS REQUIRED
 UTILITY VAULT MODEL 506

PRECAST LID WITH
 ALUMINUM VAULT HATCH

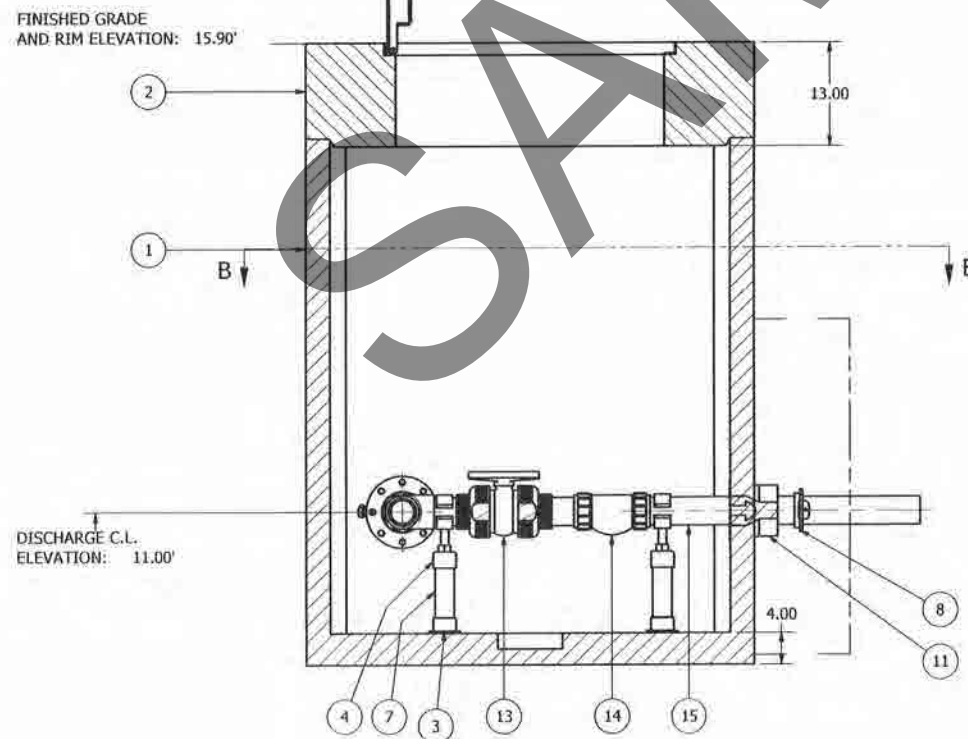
ALL MATERIALS SHOWN ON THIS SHEET WILL BE SUPPLIED BY ROMTEC UTILITIES AND DELIVERED TO THE SITE AFTER THE HOLE HAS BEEN EXCAVATED AND SHORED. THE CONTRACTOR SHALL SUPPLY A CRANE OF SUFFICIENT SIZE TO LOWER ALL THE CONCRETE PIECES INTO THE HOLE SAFELY. THE CONTRACTOR SHALL INSTALL THE WET WELL (AND VALVE VAULT AND METERING VAULT IF APPLICABLE). ROMTEC UTILITIES WILL PROVIDE A REPRESENTATIVE FOR TECHNICAL ASSISTANCE ON THE DAY OF INSTALLATION TO ANSWER ANY QUESTIONS THAT MAY ARISE. THE CONTRACTOR IS RESPONSIBLE FOR ALL PLUMBING AND ELECTRICAL CONNECTIONS AND INSTALLATION. ITEMS NOTED AS "BY OTHERS" WILL BE PROVIDED AND INSTALLED BY THE CONTRACTOR. ROMTEC UTILITIES WILL NOT INSTALL ANY OF THE COMPONENTS SHOWN ON THIS PAGE.

© 2015 ROMTEC INC. ALL RIGHTS RESERVED. THESE PLANS AND DRAWINGS MAY NOT BE REPRODUCED, ADAPTED, OR FURTHER DISTRIBUTED, AND NO COMPONENTS MAY BE CONSTRUCTED FROM THESE PLANS, WITHOUT WRITTEN PERMISSION OF ROMTEC, INC.



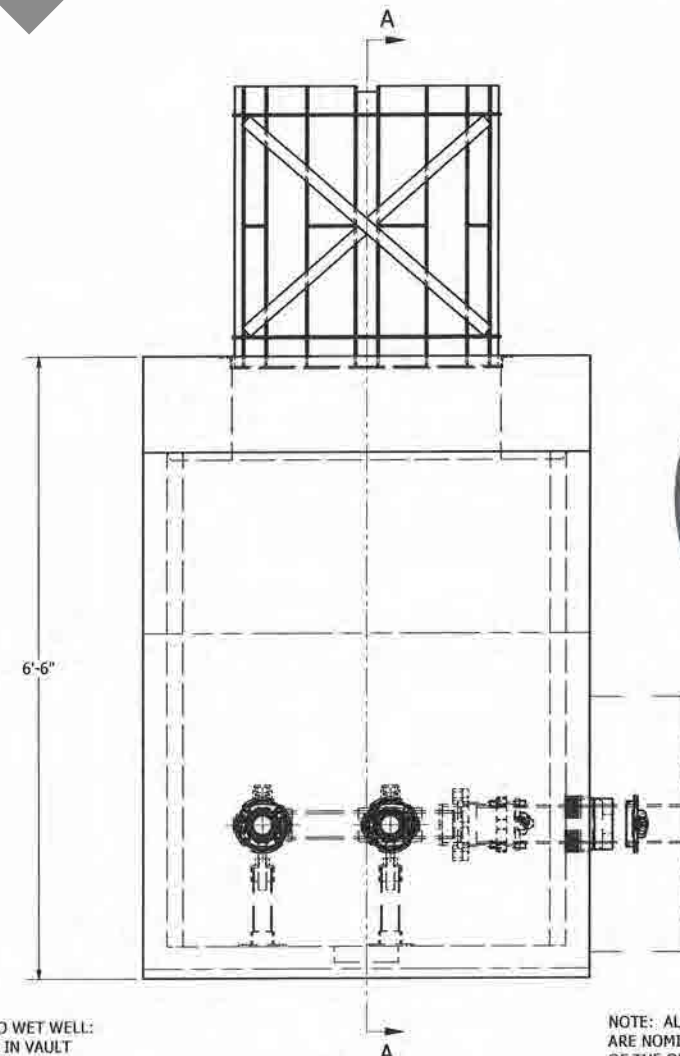
TOP VIEW
 SECTION B-B
 SCALE 1 / 12

NOTE: VAULT TOP SLAB IS H-20 OCCASIONAL RATED



PROFILE VIEW
 SECTION A-A
 SCALE 1 / 12

DRAIN BACK TO WET WELL:
 3" PLAIN HOLE IN VAULT (PROVIDED)
 2" PEE TRAP ON VAULT END WITH CHECK VALVE AT END OF PIPE IN WET WELL. (BY OTHERS) NOT ROMTEC UTILITIES



INLET SIDE VIEW
 SCALE 1 / 12

NOTE: ALL DIMENSIONS AND ELEVATIONS SHOWN ARE NOMINAL DIMENSIONS. IT IS THE RESPONSIBILITY OF THE ON-SITE CONTRACTOR OR ROMTEC UTILITIES CUSTOMER (NOT ROMTEC UTILITIES) TO VERIFY THE ACCURACY OF ANY CRITICAL DIMENSIONS OR ELEVATIONS PRIOR TO SETTING OR INSTALLING ANY EQUIPMENT.



12" THICK CAST IN PLACE
 CONCRETE THRUST RESTRAINT
 COLLAR.
 (BOTH ENDS - BY OTHERS)

FORCE MAIN
 (BY OTHERS)

VERIFY SCALE
 MATCH THE
 ORIGINAL DRAWING
 1"

0
 1
 2
 3
 4
 5
 6
 7
 8
 9
 10
 11
 12
 13
 14
 15
 16
 17
 18
 19
 20
 21
 22
 23
 24
 25
 26
 27
 28
 29
 30
 31
 32
 33
 34
 35
 36
 37
 38
 39
 40
 41
 42
 43
 44
 45
 46
 47
 48
 49
 50

COMPONENT
 DRAWING

ROMTEC UTILITIES
 18240 NORTH BANK ROAD
 ROSEBURG, OREGON 97470
 (541) 496-9678
 FAX (541) 496-0804

FUSCOE ENGINEERING
 TREVOR DODSON
 CONDOMINIUMS AT DEL OBISPO
 VALVE VAULT ASSEMBY

SHEET
 2 OF 2
 JOB NUMBER
 RMTCTC
 0000

REV	DATE	DESCRIPTION	DESIGNER	CHECKER	APPROVER
0	7-16-15	INITIAL DESIGN	KB	KB	AD
1	10-12-15	DISCH. ELEVATION, 4" FORCE MAIN	KB	KB	AD
2	12-23-15	REVISED OUTLET PIPE	KB	KB	AD
3	5-23-16	REVISED RIM ELEVATION	KB	KB	AD