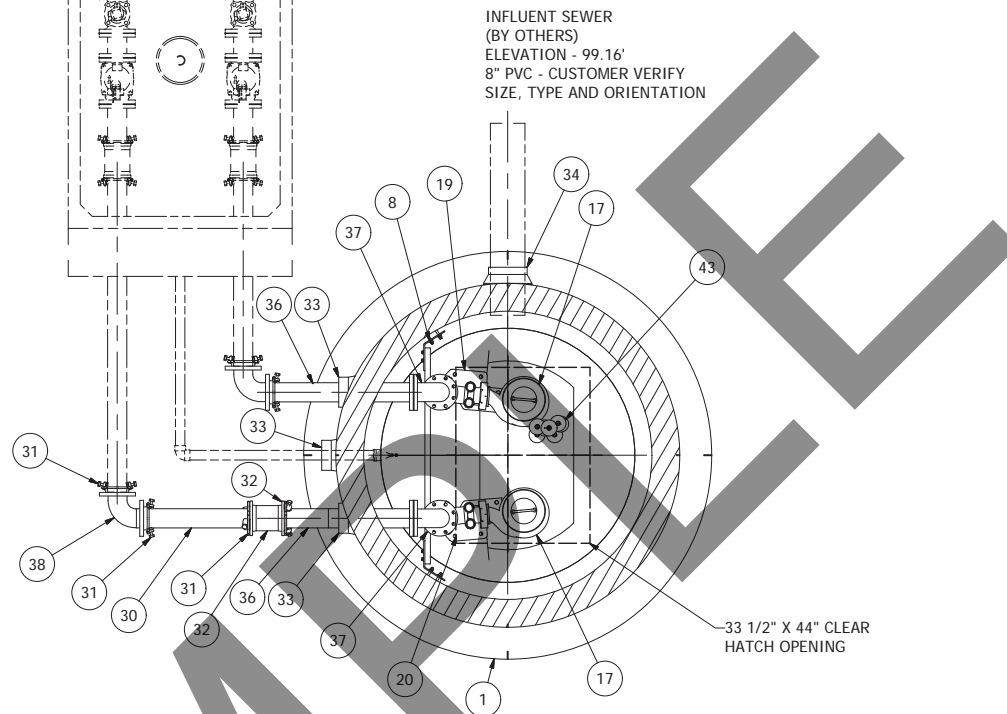


577 VALVE VAULT ASSEMBLY
SEE SHEET 2

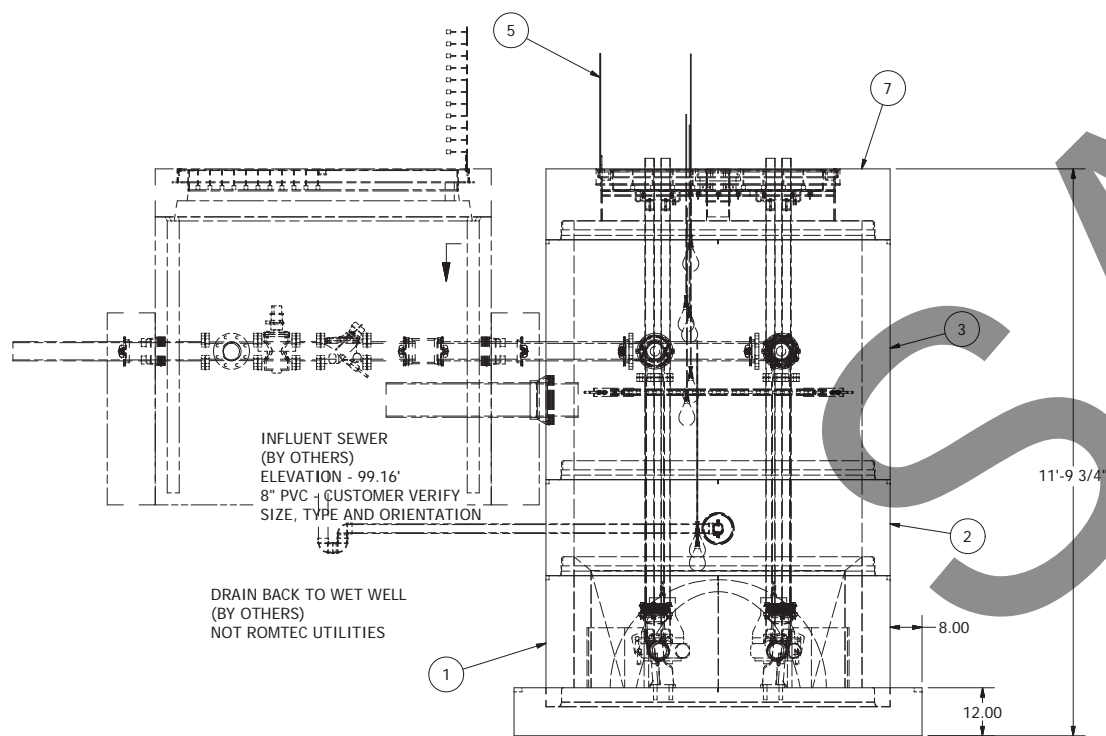
SENSOR AND ELEVATION TABLE		
LEVEL ELEVATION	DISTANCE BETWEEN POINTS	SET POINT DESCRIPTION
99.16		SEWER INVERT IN
98.26		HIGH LEVEL ALARM
	0.50	SENSOR SPACING
97.76		LAG PUMP START
	0.50	SENSOR SPACING
97.26		LEAD PUMP START
	1.00	SENSOR SPACING
96.26		PUMP STOP
	2.73	DISTANCE TO FLOOR
93.53		FLOOR ELEVATION



INFLUENT SEWER
(BY OTHERS)
ELEVATION - 99.16'
8" PVC - CUSTOMER VERIFY
SIZE, TYPE AND ORIENTATION

33 1/2" X 44" CLEAR
HATCH OPENING

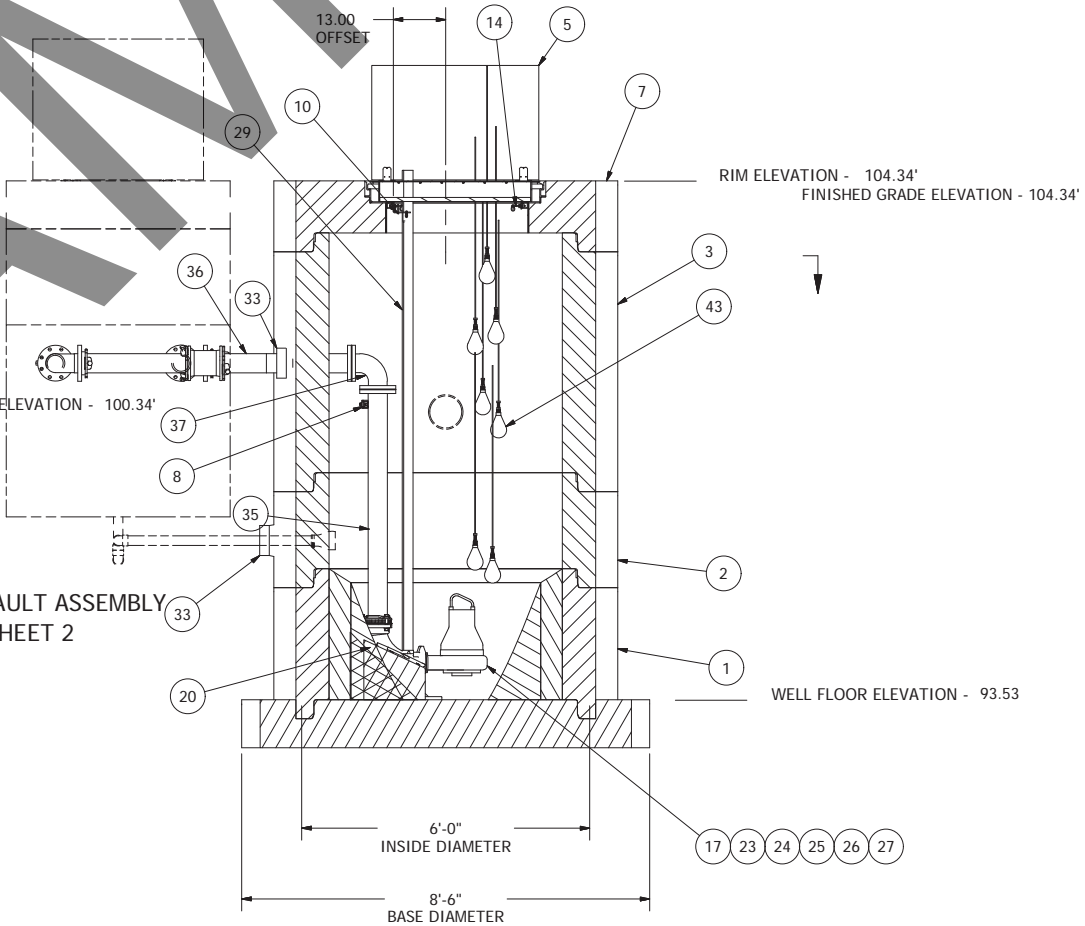
NOTE: WET WELL TOP SLAB IS H-20 OCCASIONAL TRAFFIC RATED



INFLUENT SEWER
(BY OTHERS)
ELEVATION - 99.16'
8" PVC - CUSTOMER VERIFY
SIZE, TYPE AND ORIENTATION

DRAIN BACK TO WET WELL
(BY OTHERS)
NOT ROMTEC UTILITIES

577 VALVE VAULT ASSEMBLY
SEE SHEET 2



RIM ELEVATION - 104.34'
FINISHED GRADE ELEVATION - 104.34'

WELL FLOOR ELEVATION - 93.53

6'-0" INSIDE DIAMETER
8'-6" BASE DIAMETER

6" DIAMETER WET WELL
4" DISCHARGE PIPING
NP3085 FLYGT PUMPS
4" 577 VALVE VAULT

ALL MATERIALS SHOWN ON THIS SHEET WILL BE SUPPLIED BY ROMTEC UTILITIES AND DELIVERED TO THE SITE AFTER THE HOLE HAS BEEN EXCAVATED AND SHORED. THE CONTRACTOR SHALL SUPPLY A CRANE OF SUFFICIENT SIZE TO LOWER ALL THE CONCRETE PIECES INTO THE HOLE SAFELY. THE CONTRACTOR SHALL INSTALL THE WET WELL (AND VALVE VAULT AND METERING VAULT IF APPLICABLE). ROMTEC UTILITIES WILL PROVIDE A REPRESENTATIVE FOR TECHNICAL ASSISTANCE ON THE DAY OF INSTALLATION TO ANSWER ANY QUESTIONS THAT MAY ARISE. THE CONTRACTOR IS RESPONSIBLE FOR ALL PLUMBING AND ELECTRICAL CONNECTIONS AND INSTALLATION. ITEMS NOTED AS "BY OTHERS" WILL BE PROVIDED AND INSTALLED BY THE CONTRACTOR. ROMTEC UTILITIES WILL NOT INSTALL ANY OF THE COMPONENTS SHOWN ON THIS PAGE.

© 2009 ROMTEC INC. ALL RIGHTS RESERVED. THESE PLANS AND DRAWINGS MAY NOT BE REPRODUCED, ADAPTED, OR FURTHER DISTRIBUTED, AND NO COMPONENTS MAY BE CONSTRUCTED FROM THESE PLANS, WITHOUT WRITTEN PERMISSION OF ROMTEC, INC.

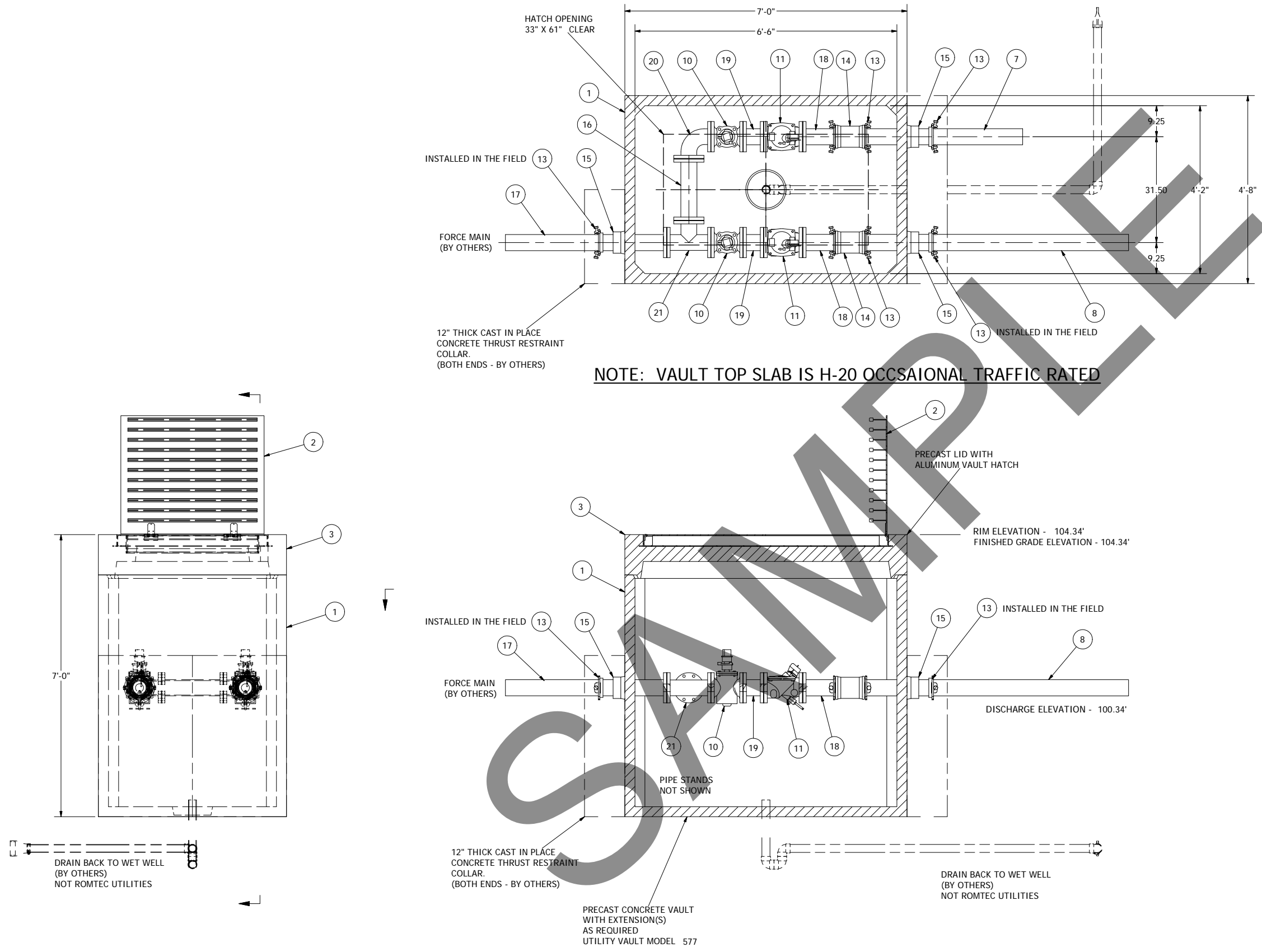
REV	DESCRIPTION	DATE	BY
4	MOVED DRAIN BACK HOLE	9-21-10	AD
4	UPDATE PER PRODUCTION LAUNCH	8-13-10	AD
3	ADDED MIXED FLUSH VALVE	08/27/09	AM
2	CHANGES PER SITE PLAN	08/14/09	AM
1	COMPONENT DRAWING	01/28/09	AM

COMPONENT
DRAWING

ROMTEC UTILITIES
18240 NORTH BANK ROAD
ROSEBURG, OREGON 97470
(541) 496-9678
FAX (541) 496-0804

BURBANK HOUSING DEVELOPMENT
JOHN KINCHELOE
HOLYHOCK SUBDIVISION
4" - 6" WET WELL

SHEET
1 OF 2
JOB NUMBER
RMTC
0000



NOTE: VAULT TOP SLAB IS H-20 OCCSAIONAL TRAFFIC RATED

**577 VALVE VAULT
4" PIPING AND VALVES**

© 2009 ROMTEC INC. ALL RIGHTS RESERVED. THESE PLANS AND DRAWINGS MAY NOT BE REPRODUCED, ADAPTED, OR FURTHER DISTRIBUTED, AND NO COMPONENTS MAY BE CONSTRUCTED FROM THESE PLANS, WITHOUT WRITTEN PERMISSION OF ROMTEC, INC.

REVISIONS	
REV	DESCRIPTION
1	COMPONENT DRAWING
2	UPDATED PER SITE PLAN
3	ADDED MECH INDICATOR AND BACKFLOW ACT
4	UPDATED PER PRODUCTION LAUNCH

COMPONENT DRAWING

ROMTEC UTILITIES
18240 NORTH BANK ROAD
ROSEBURG, OREGON 97470
(541) 496-9678
FAX (541) 496-0804

BURBANK HOUSING DEVELOPMENT
JOHN KINCHELOE
HOLYHOCK SUBDIVISION
4" 577 VALVE VAULT

SHEET
2 of 2
JOB NUMBER
RMTC 0000