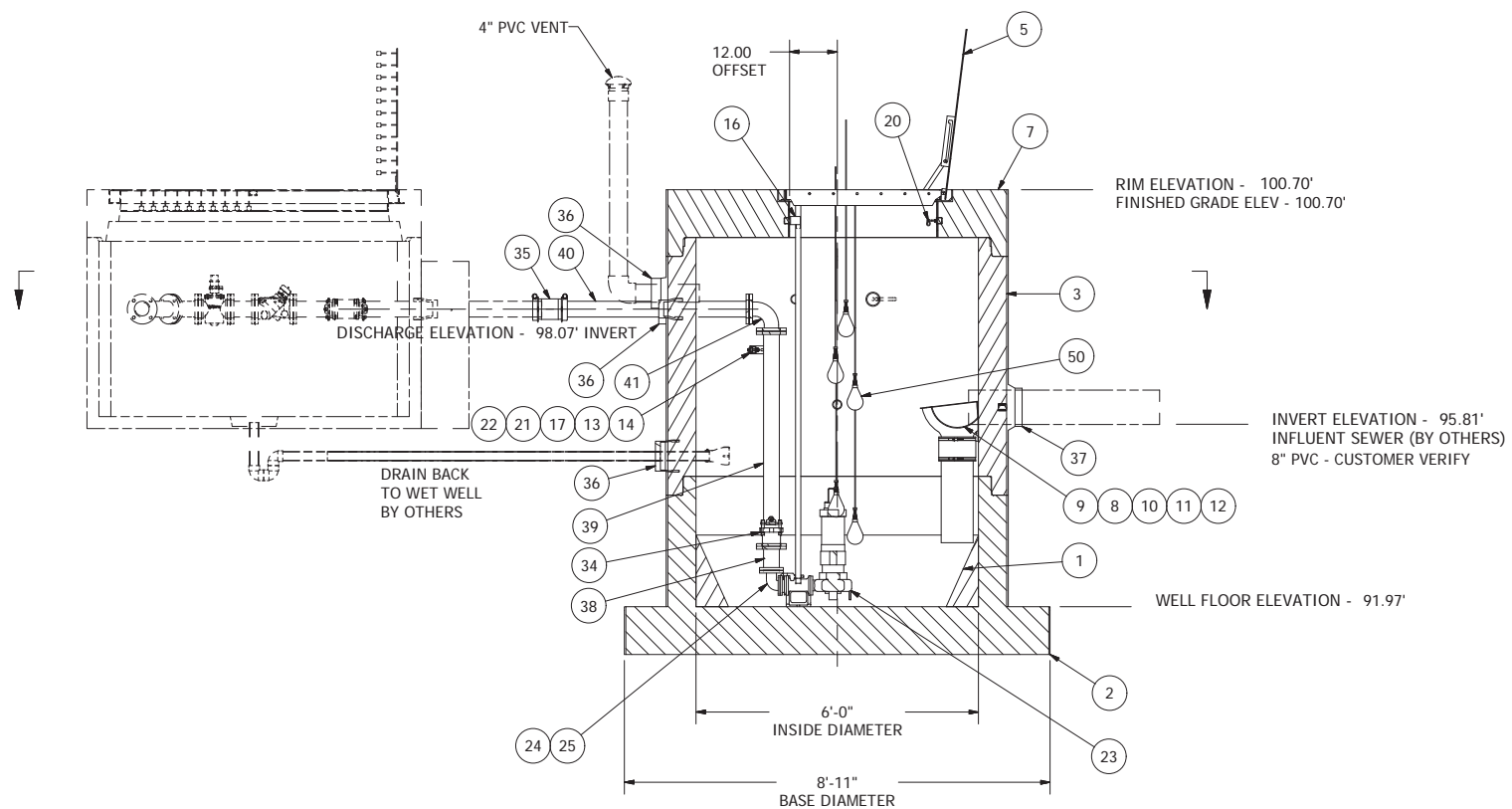
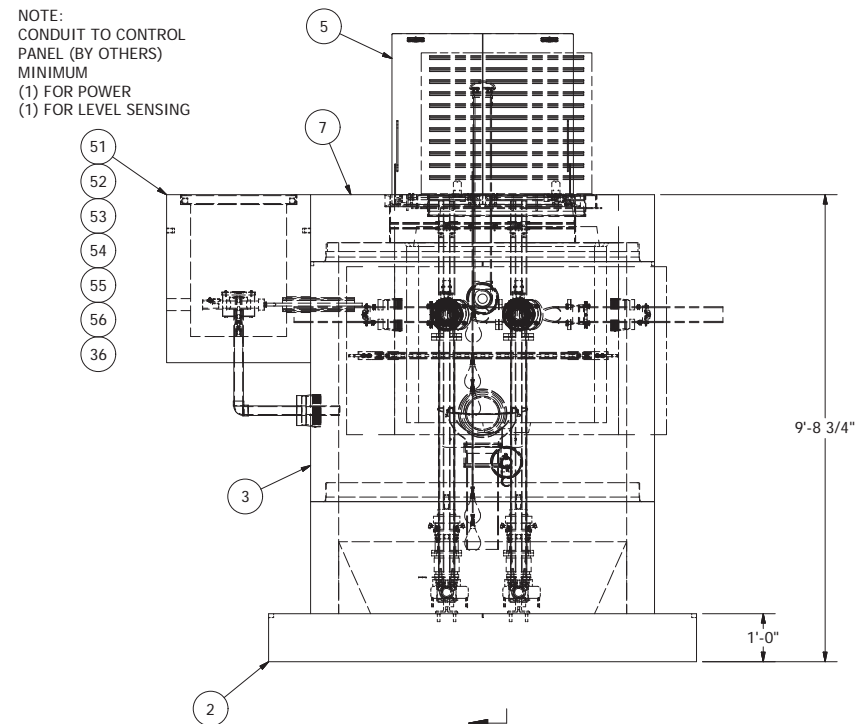


NOTE: WET WELL TOP SLAB IS H-20 TRAFFIC RATED



NOTE: ALL DIMENSIONS AND ELEVATIONS SHOWN ARE NOMINAL DIMENSIONS. IT IS THE RESPONSIBILITY OF THE ON-SITE CONTRACTOR OR ROMTEC UTILITIES CUSTOMER (NOT ROMTEC UTILITIES) TO VERIFY THE ACCURACY OF ANY CRITICAL DIMENSIONS OR ELEVATIONS PRIOR TO SETTING OR INSTALLING ANY EQUIPMENT.

© 2010 ROMTEC INC. ALL RIGHTS RESERVED. THESE PLANS AND DRAWINGS MAY NOT BE REPRODUCED, ADAPTED, OR FURTHER DISTRIBUTED, AND NO COMPONENTS MAY BE CONSTRUCTED FROM THESE PLANS, WITHOUT WRITTEN PERMISSION OF ROMTEC, INC.

REV	DESCRIPTION	DATE	APPROV
1	COMPONENT DRAWING	06/15/10	AM
2	PRODUCTION LAUNCH UPDATE	6/22/10	AD
3	REVISION PER 8/13/10 COMMENTS	8/13/10	AM
4	CHANGED HATCH TO OCCASIONAL	08/18/10	AM
5	SECOND PRODUCTION LAUNCH	8/26/10	AD
6	CHANGES PER 10/07/10 COMMENTS	11/08/10	AM

VERIFY SCALE
BAR IS ONE INCH ON
ORIGINAL DRAWING

1"
IF NOT ONE INCH ON
THIS SHEET, ADJUST
SCALE ACCORDINGLY

0

DSN - AM
DRN - AM
CKD -

DATE - 06/15/10

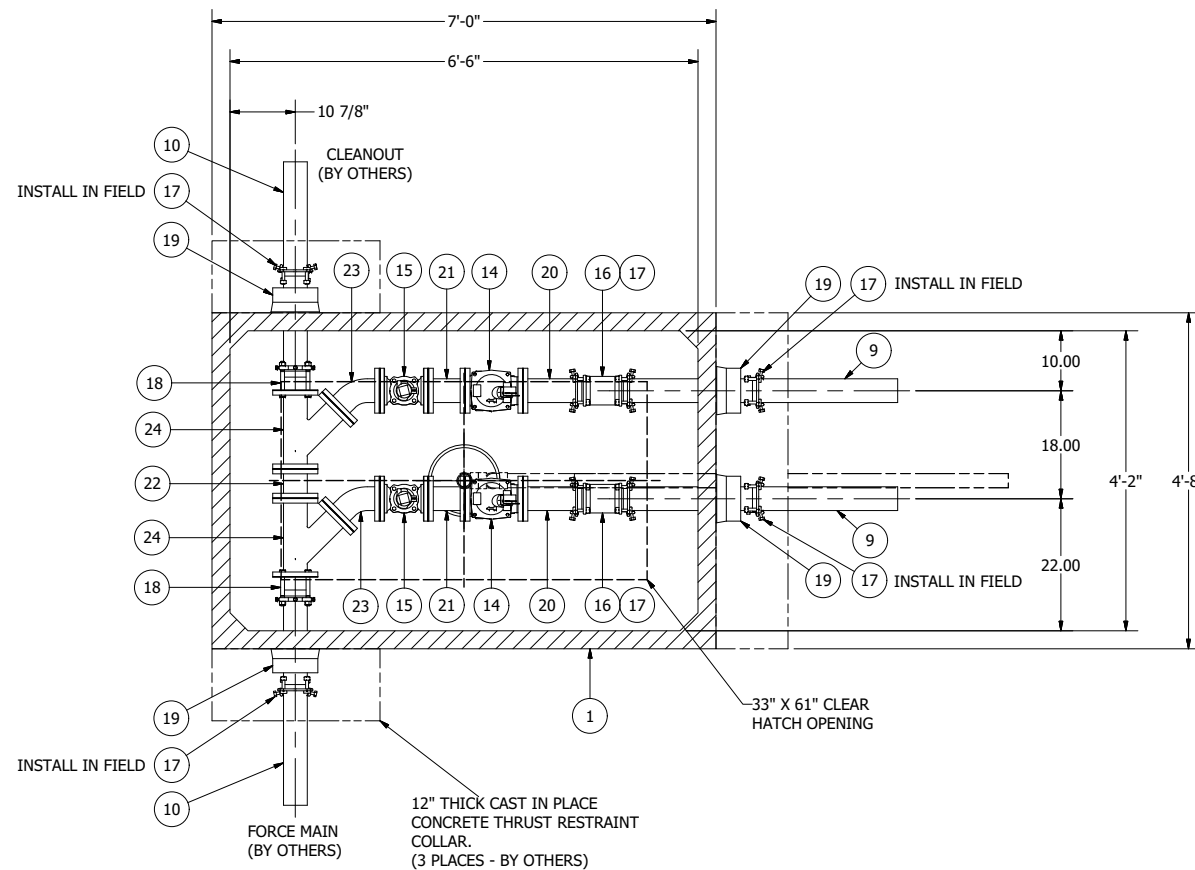
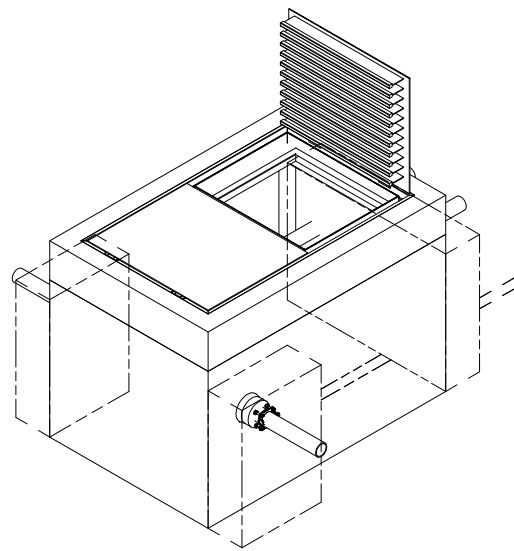
COMPONENT
DRAWING

**ROMTEC
UTILITIES**
18240 NORTH BANK ROAD
ROSEBURG, OREGON 97470
(541) 496-9678
FAX (541) 496-0804

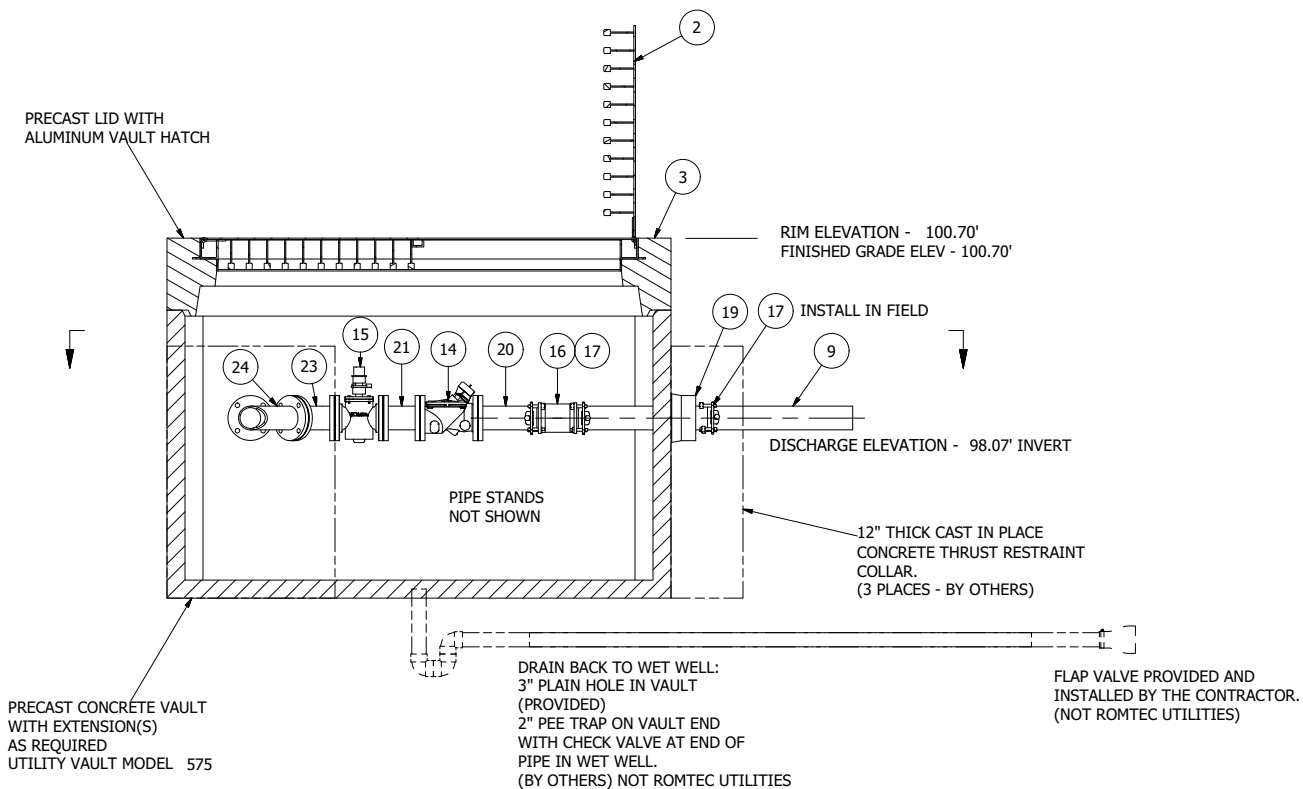
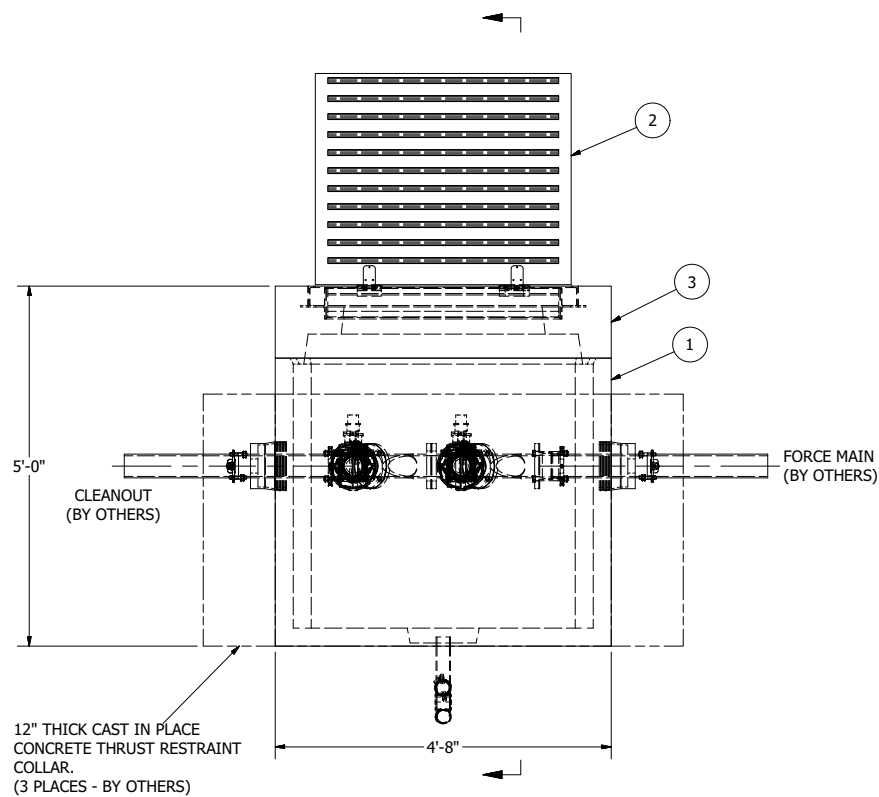
POST TREATMENT
3" - 6' DIA WET WELL

SHEET
1 OF 2

JOB NUMBER
RMTC
0000



NOTE: VAULT TOP SLAB IS H-20 TRAFFIC RATED



NOTE: ALL DIMENSIONS AND ELEVATIONS SHOWN ARE NOMINAL DIMENSIONS. IT IS THE RESPONSIBILITY OF THE ON-SITE CONTRACTOR OR ROMTEC UTILITIES CUSTOMER (NOT ROMTEC UTILITIES) TO VERIFY THE ACCURACY OF ANY CRITICAL DIMENSIONS OR ELEVATIONS PRIOR TO SETTING OR INSTALLING ANY EQUIPMENT.

**575 VALVE VAULT
3" PIPING AND VALVES
DUAL FORCE MAIN**

© 2010 ROMTEC INC. ALL RIGHTS RESERVED. THESE PLANS AND DRAWINGS MAY NOT BE REPRODUCED, ADAPTED, OR FURTHER DISTRIBUTED, AND NO COMPONENTS MAY BE CONSTRUCTED FROM THESE PLANS, WITHOUT WRITTEN PERMISSION OF ROMTEC, INC.

VERIFY SCALE
BAR IS ONE INCH ON ORIGINAL DRAWING
1"
0 IF NOT ONE INCH ON THIS SHEET, ADJUST SIZES PROPORTIONALLY

COMPONENT DRAWING

ROMTEC UTILITIES
18240 NORTH BANK ROAD
ROSEBURG, OREGON 97470
(541) 496-9678
FAX (541) 496-0804

POST TREATMENT
3" - 575 VALVE VAULT

SHEET
2 OF 2
JOB NUMBER
**RMTC
0000**

REV	DESCRIPTION	DATE	APPROV
2	CHANGES PER 10-07-10 COMMENTS	11/08/10	AM
1	COMPONENT DRAWING	06/15/10	AM
0			

REVISION HISTORY