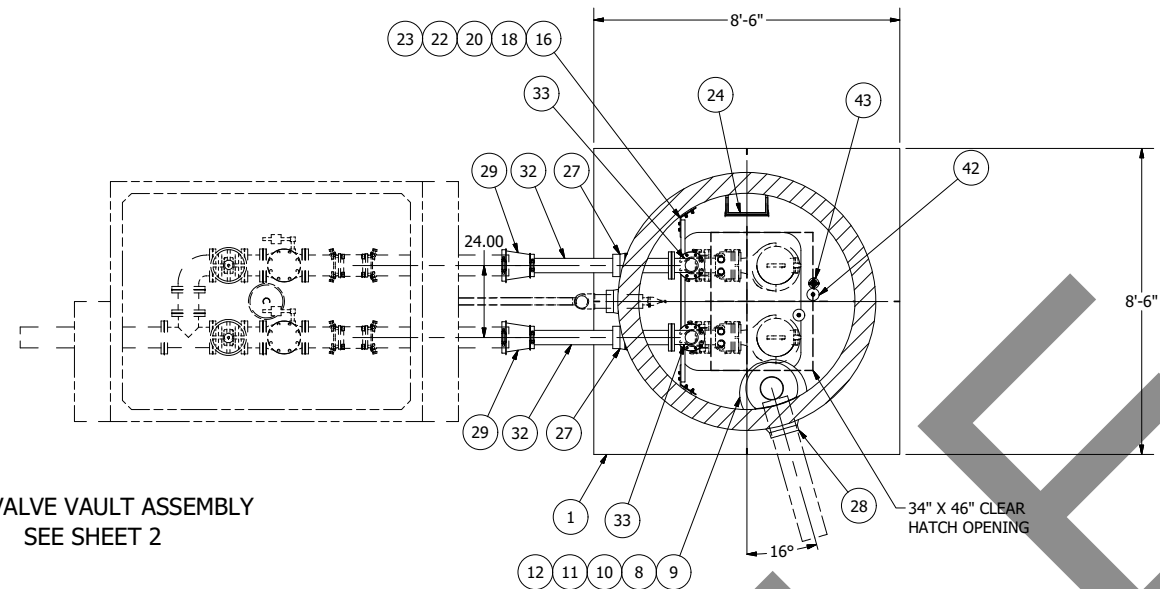
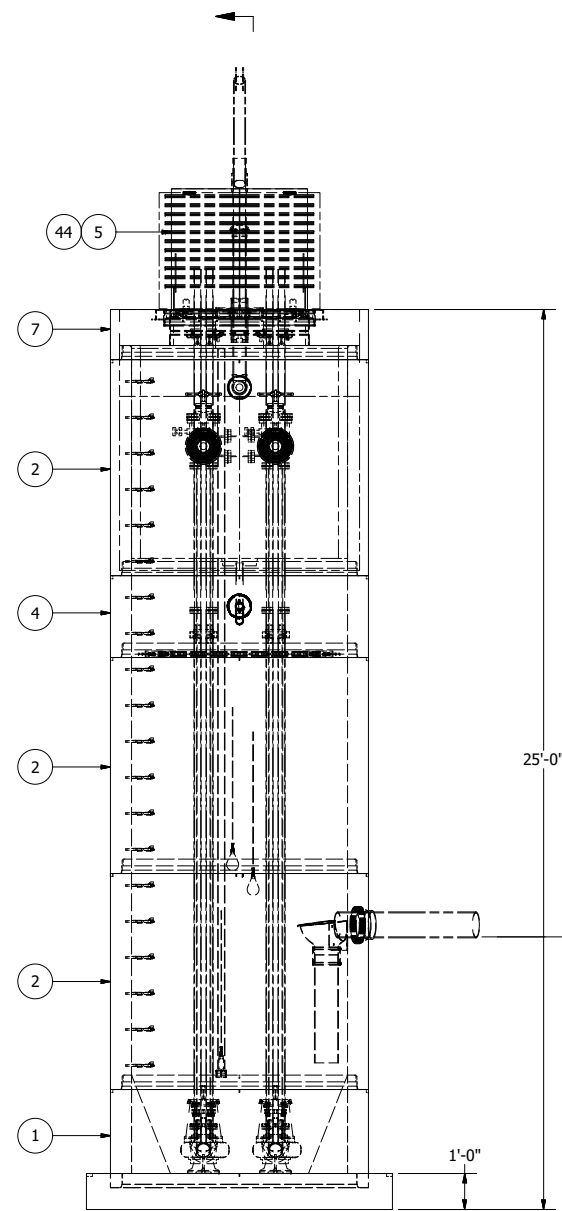


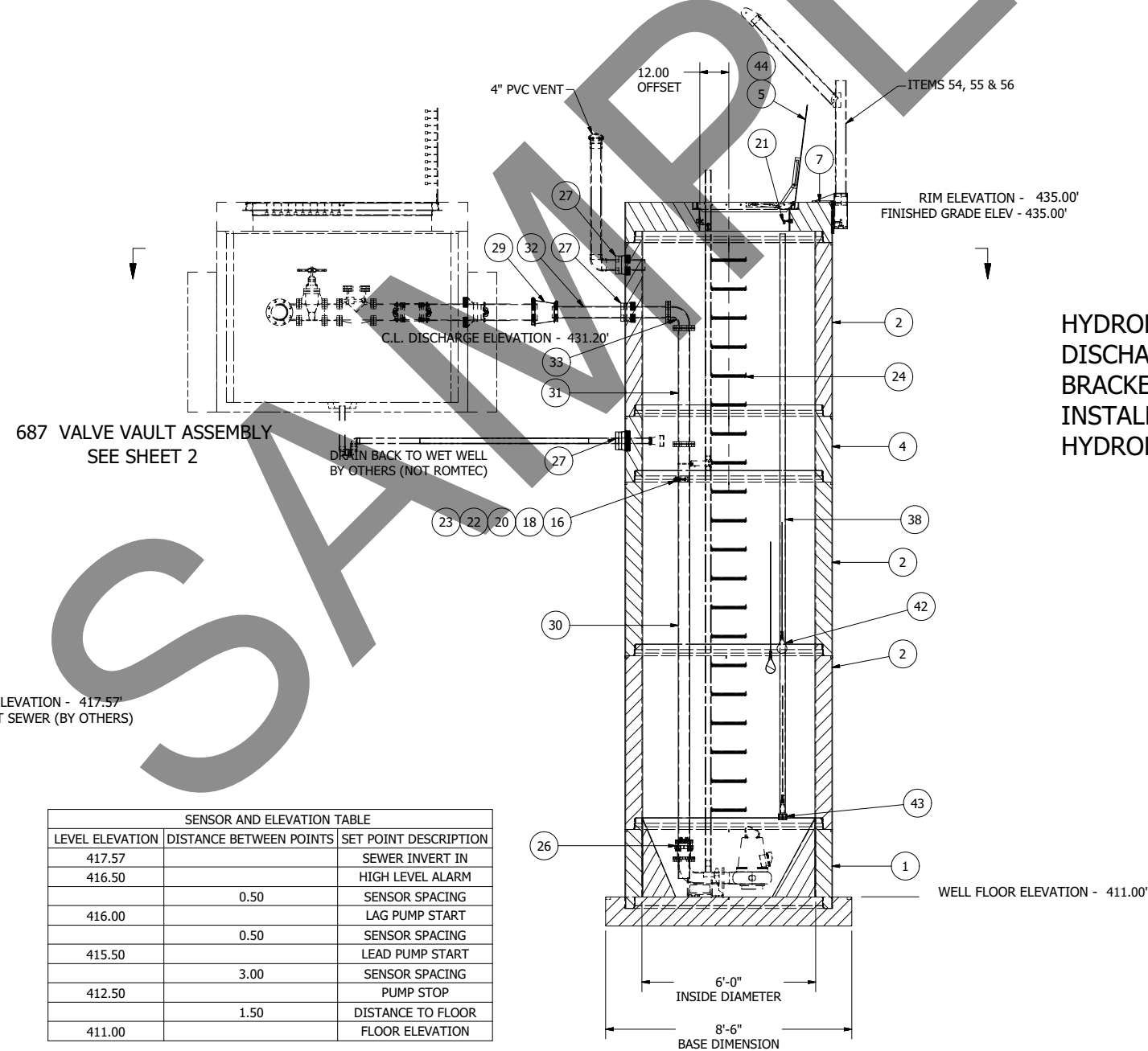
687 VALVE VAULT ASSEMBLY
SEE SHEET 2



NOTE: WET WELL TOP SLAB IS H-20 OCCASIONAL TRAFFIC RATED



INVERT ELEVATION - 417.57'
INFLUENT SEWER (BY OTHERS)
8" PVC



687 VALVE VAULT ASSEMBLY
SEE SHEET 2

DRAIN BACK TO WET WELL
BY OTHERS (NOT ROMTEC)

HYDROMATIC PUMPS, PUMP ACCESSORIES,
DISCHARGE ELBOWS, GUIDE RAILS AND GUIDE RAIL
BRACKETS ARE SUPPLIED BY THE CONTRACTOR,
INSTALLED BY ROMTEC UTILITIES.
HYDROMATIC PUMP - H4HX-1000 - 10HP

NOTE: ALL DIMENSIONS AND ELEVATIONS SHOWN
ARE NOMINAL DIMENSIONS. IT IS THE RESPONSIBILITY
OF THE ON-SITE CONTRACTOR OR ROMTEC UTILITIES
CUSTOMER (NOT ROMTEC UTILITIES) TO VERIFY THE
ACCURACY OF ANY CRITICAL DIMENSIONS OR ELEVATIONS
PRIOR TO SETTING OR INSTALLING ANY EQUIPMENT.

**6' DIAMETER WET WELL
4" DISCHARGE PIPING
HYDROMATIC PUMPS
6" - 687 VALVE VAULT**

ALL MATERIALS SHOWN ON THIS SHEET WILL BE
SUPPLIED BY ROMTEC UTILITIES AND DELIVERED TO
THE SITE AFTER THE HOLE HAS BEEN EXCAVATED
AND SHORED. THE CONTRACTOR SHALL SUPPLY A
CRANE OF SUFFICIENT SIZE TO LOWER ALL THE
CONCRETE PIECES INTO THE HOLE SAFELY. THE
CONTRACTOR SHALL INSTALL THE WET WELL
(AND VALVE VAULT AND METERING VAULT IF
APPLICABLE). ROMTEC UTILITIES WILL PROVIDE A
REPRESENTATIVE FOR TECHNICAL ASSISTANCE ON
THE DAY OF INSTALLATION TO ANSWER ANY QUESTIONS
THAT MAY ARISE. THE CONTRACTOR IS RESPONSIBLE
FOR ALL PLUMBING AND ELECTRICAL CONNECTIONS
AND INSTALLATION. ITEMS NOTED AS "BY OTHERS"
WILL BE PROVIDED AND INSTALLED BY THE CONTRACTOR.
ROMTEC UTILITIES WILL NOT INSTALL ANY OF THE
COMPONENTS SHOWN ON THIS PAGE.

SENSOR AND ELEVATION TABLE		
LEVEL ELEVATION	DISTANCE BETWEEN POINTS	SET POINT DESCRIPTION
417.57		SEWER INVERT IN
416.50		HIGH LEVEL ALARM
416.00	0.50	SENSOR SPACING
415.50	0.50	LAG PUMP START
415.00	0.50	SENSOR SPACING
414.50	0.50	LEAD PUMP START
414.00	3.00	SENSOR SPACING
413.50	0.50	PUMP STOP
412.50	1.50	DISTANCE TO FLOOR
411.00		FLOOR ELEVATION

© 2011 ROMTEC INC. ALL RIGHTS RESERVED. THESE
PLANS AND DRAWINGS MAY NOT BE REPRODUCED,
ADAPTED, OR FURTHER DISTRIBUTED, AND NO
COMPONENTS MAY BE CONSTRUCTED FROM THESE
PLANS, WITHOUT WRITTEN PERMISSION OF ROMTEC, INC.

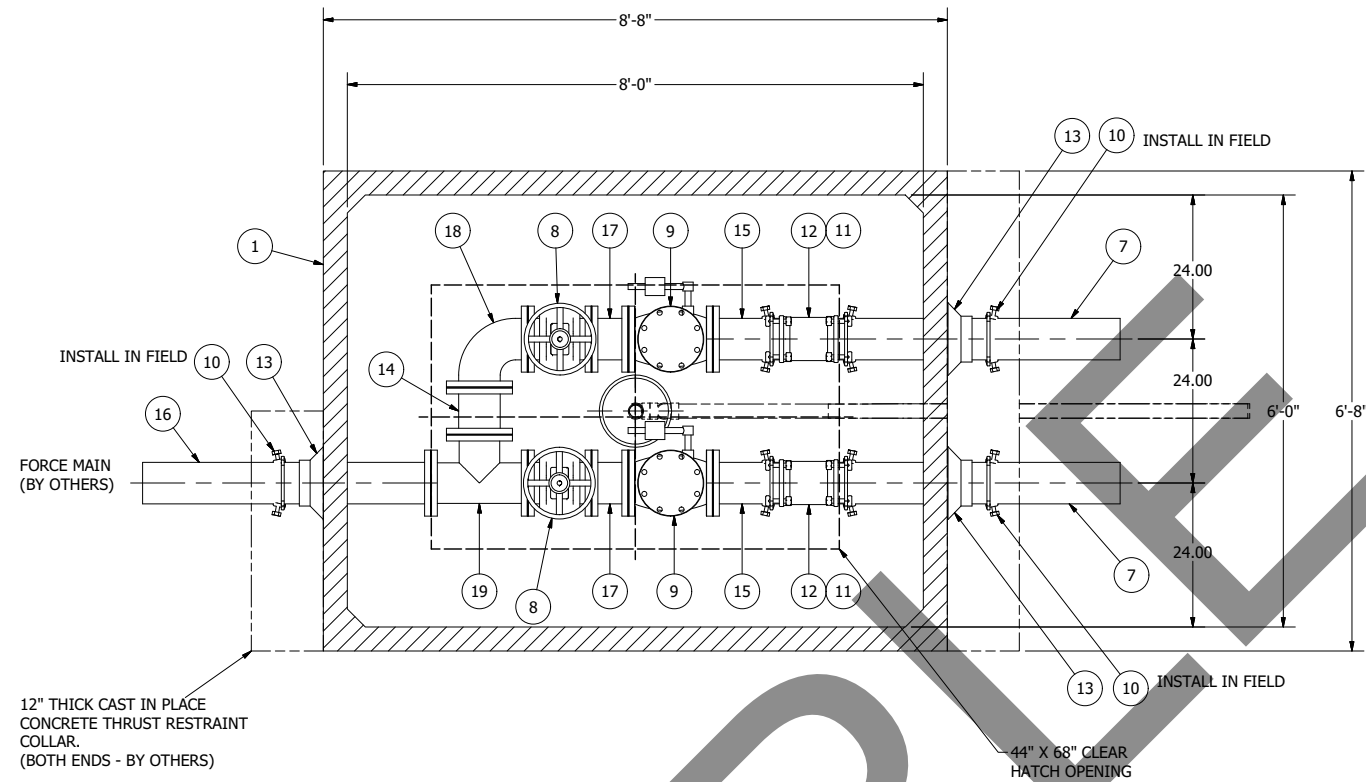
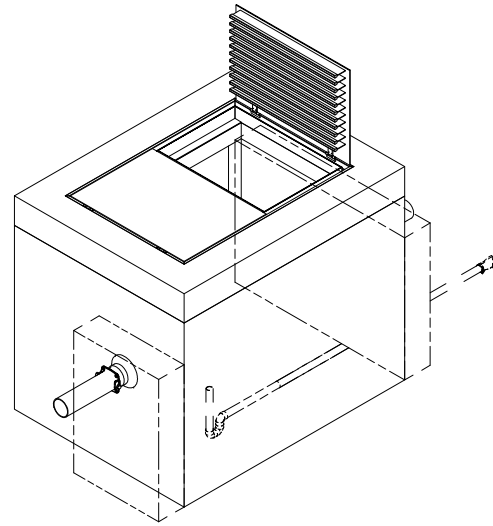
REV	DESCRIPTION	DATE	APPROV
1	COMPONENT DRAWING	03/29/11	AM
2	ADDED CRANE	04/01/11	AM
3	ADDED INTRUSION ALARM SWITCH TO WET WELL HATCH	05/13/11	AD
4	PUMP EQUIPMENT BY OTHERS	06/01/11	AD
5	CHANGED INLET ORIENTATION TO MATCH SITE PLAN	06/22/11	AD
6	UPDATED PER LAUNCH MEETING UPDATED FOR PRODUCTION LAUNCH, 6/27/11	06/27/11	AD

**COMPONENT
DRAWING**

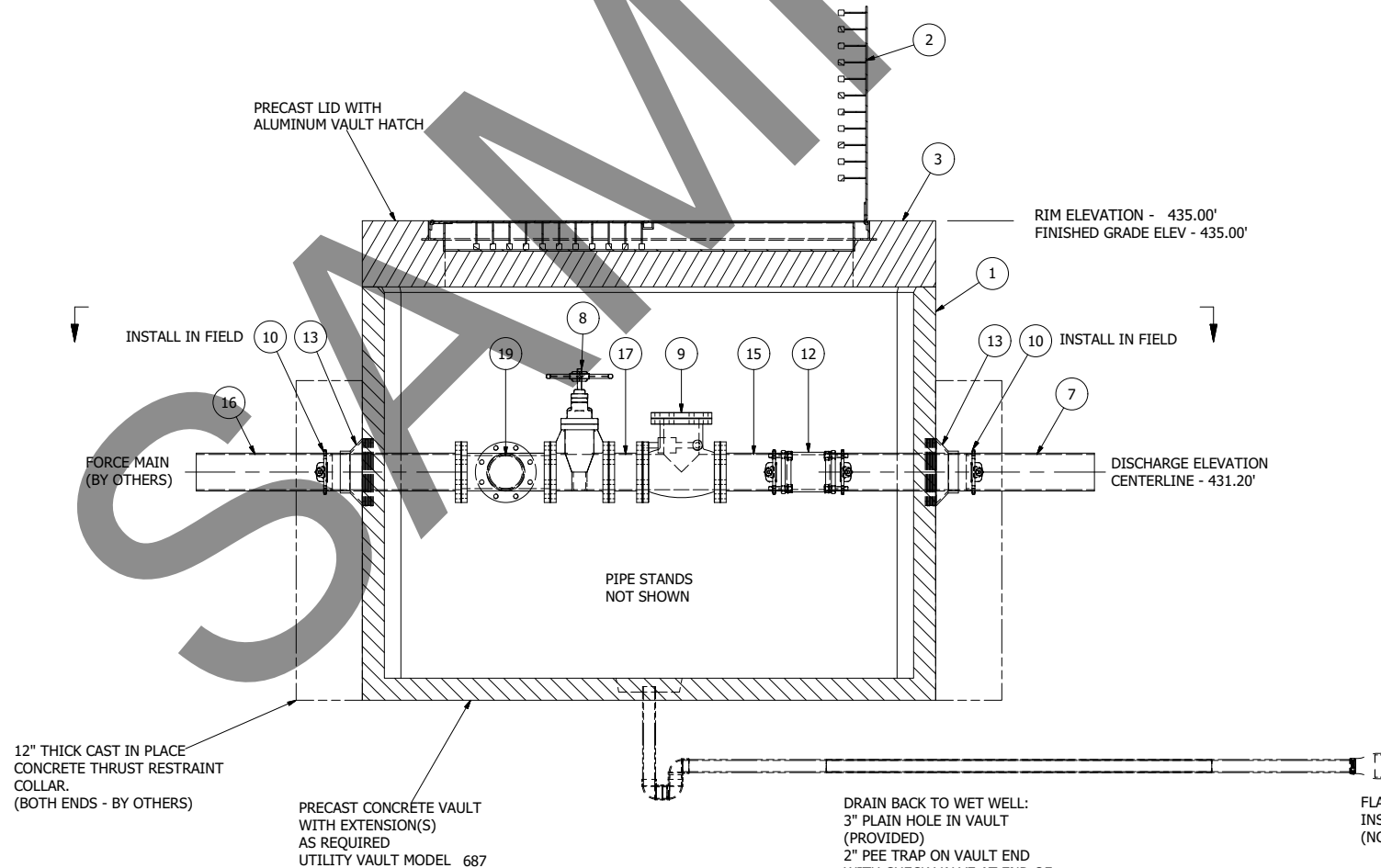
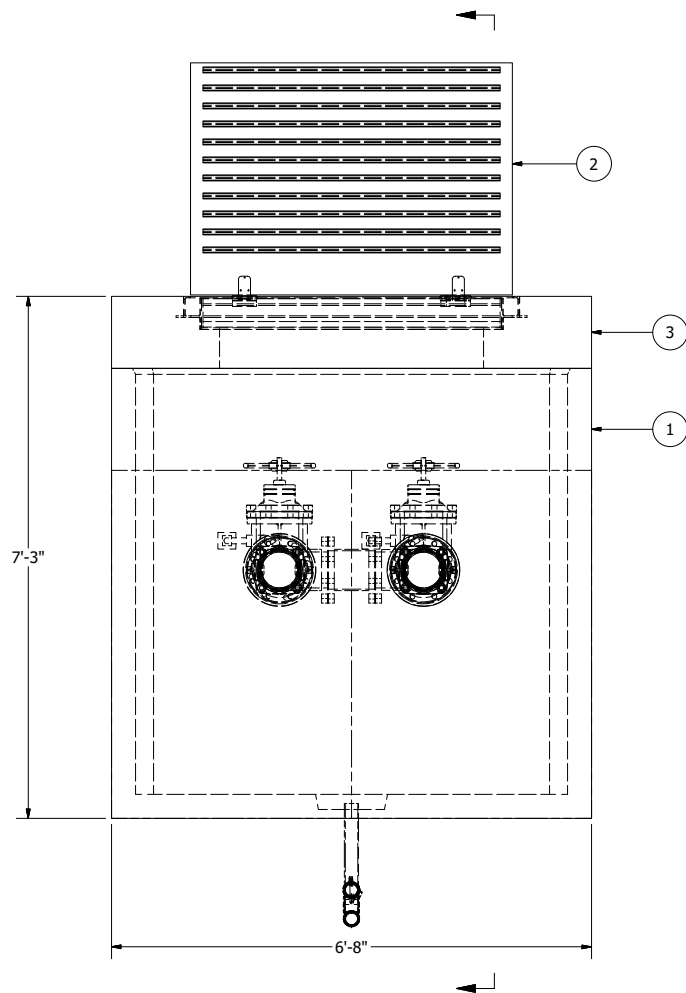
**ROMTEC
UTILITIES**
18240 NORTH BANK ROAD
ROSEBURG, OREGON 97470
(541) 496-9678
FAX (541) 496-0804

**MCCORMICK NORTH - PHASE 2
4" - 6' DIA WET WELL**

SHEET
1 OF 1
JOB NUMBER
**RMTC
0000**



NOTE: VAULT TOP SLAB IS H-20 OCCASIONAL RATED



NOTE: ALL DIMENSIONS AND ELEVATIONS SHOWN ARE NOMINAL DIMENSIONS. IT IS THE RESPONSIBILITY OF THE ON-SITE CONTRACTOR OR ROMTEC UTILITIES CUSTOMER (NOT ROMTEC UTILITIES) TO VERIFY THE ACCURACY OF ANY CRITICAL DIMENSIONS OR ELEVATIONS PRIOR TO SETTING OR INSTALLING ANY EQUIPMENT.

**687 VALVE VAULT
6" PIPING AND VALVES**

© 2011 ROMTEC INC. ALL RIGHTS RESERVED. THESE PLANS AND DRAWINGS MAY NOT BE REPRODUCED, ADAPTED, OR FURTHER DISTRIBUTED, AND NO COMPONENTS MAY BE CONSTRUCTED FROM THESE PLANS, WITHOUT WRITTEN PERMISSION OF ROMTEC, INC.

REV	DESCRIPTION	DATE	APPROV
3	UPDATED PER LAUNCH MEETING	6/27/11	AD
2	REVISED WITH GATE VALVES AND UPDATED FOR PRODUCTION LAUNCH	6/22/11	AD
1	COMPONENT DRAWING	03/29/11	AM

DRAWING GEOMETRY IS ACCURATE AND CREATED AT 1:1 AND DO NOT SCALE THIS DRAWING
 DSN - AM
 DRN - AM
 CKD - DATE - 03/29/11

COMPONENT DRAWING

ROMTEC UTILITIES
 18240 NORTH BANK ROAD
 ROSEBURG, OREGON 97470
 (541) 496-9678
 FAX (541) 496-0804

**MCCORMICK NORTH - PHASE 2
6" - 687 VALVE VAULT**

SHEET
2 OF 2

JOB NUMBER
**RMTC
0000**