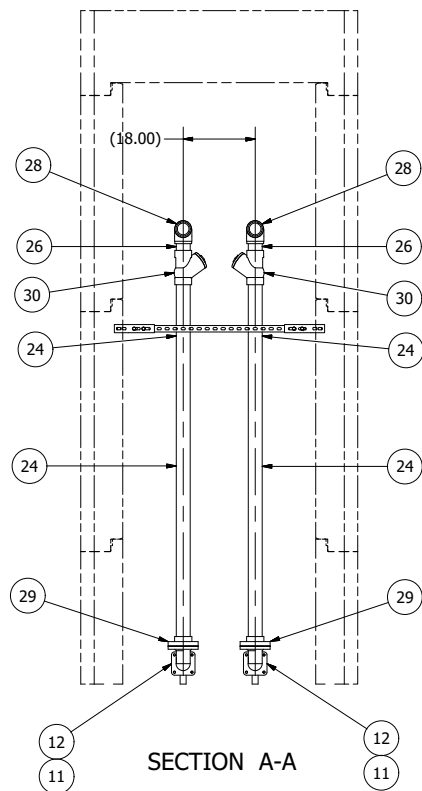
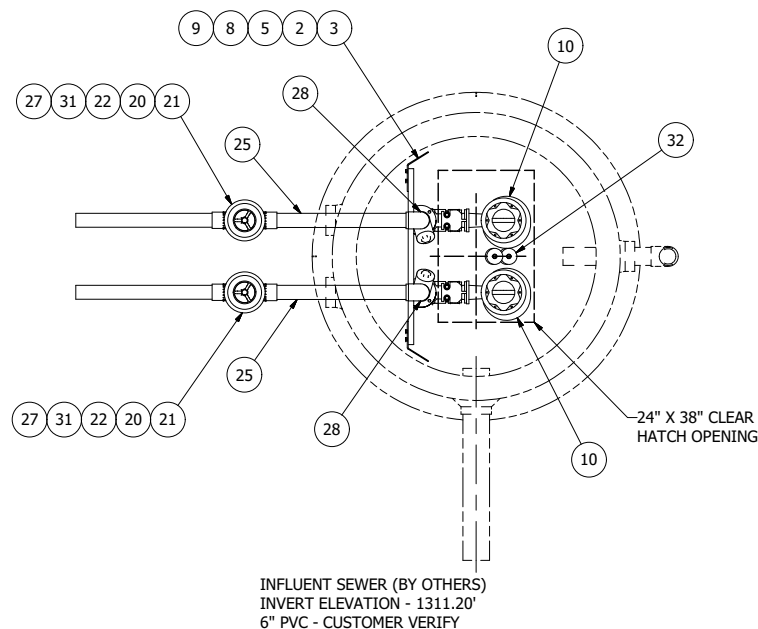


ANCHOR BOLT LAYOUT

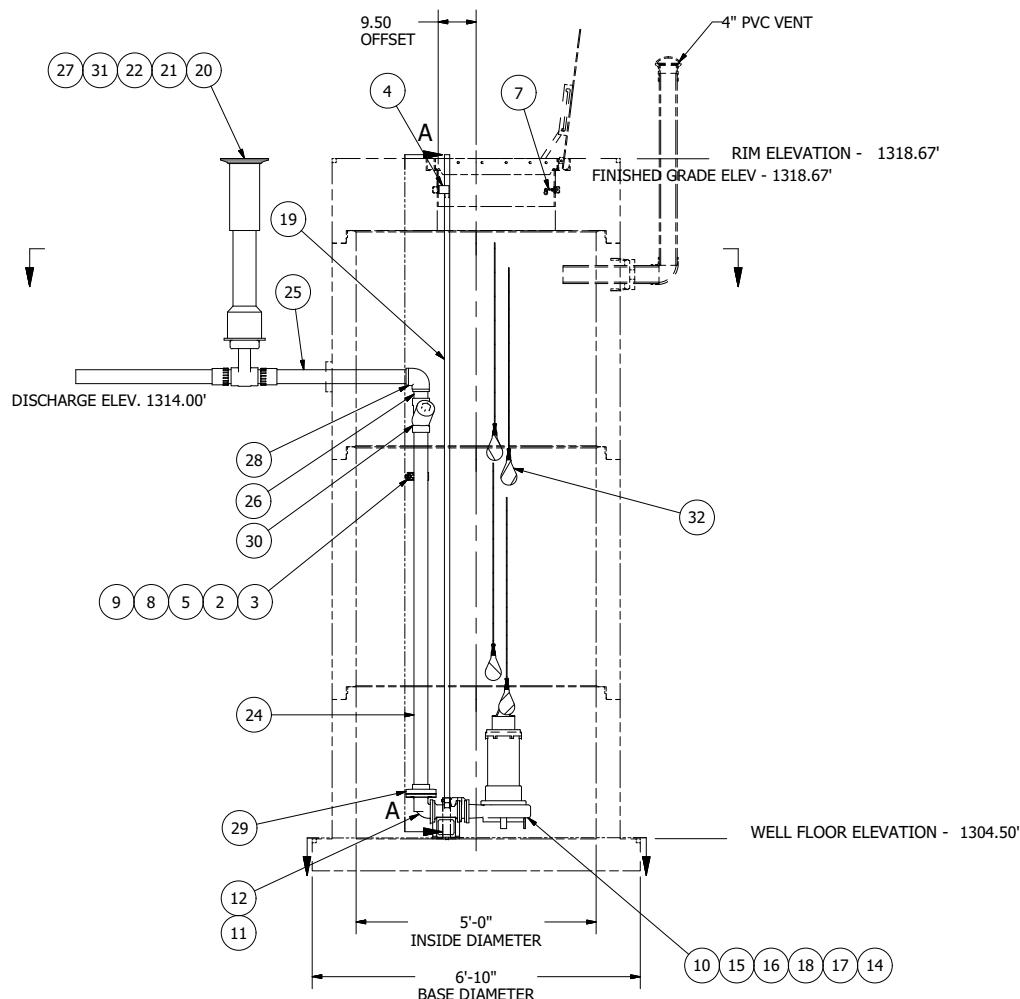


SECTION A-A

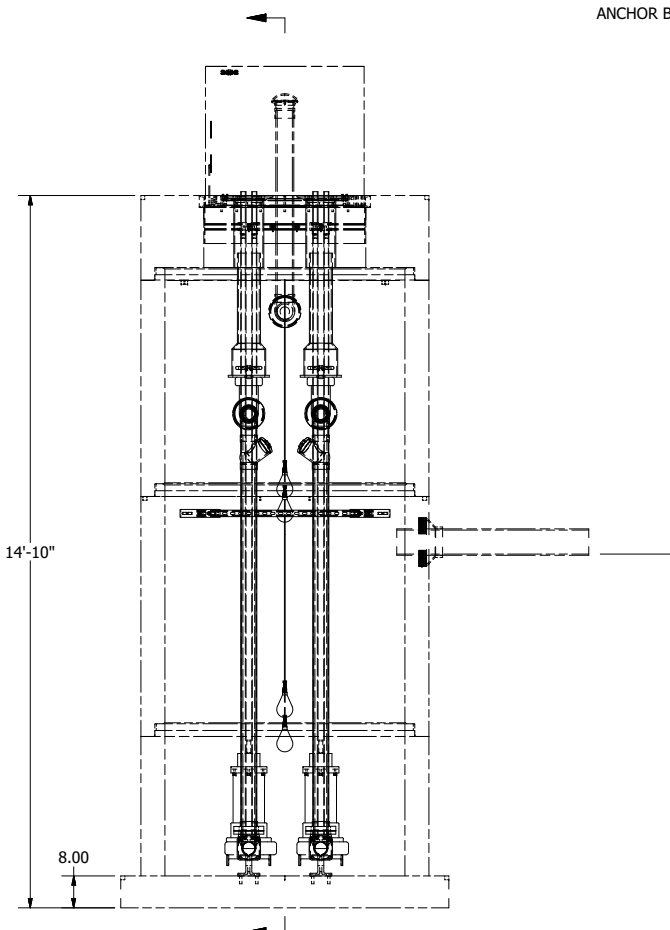


INFLUENT SEWER (BY OTHERS)
INVERT ELEVATION - 1311.20'
6" PVC - CUSTOMER VERIFY

NOTE: WET WELL TOP SLAB IS AIRCRAFT RATED



WELL FLOOR ELEVATION - 1304.50'



INVERT ELEVATION - 1311.20'
INFLUENT SEWER (BY OTHERS)
6" PVC - CUSTOMER VERIFY

SENSOR AND ELEVATION TABLE		
LEVEL ELEVATION	DISTANCE BETWEEN POINTS	SET POINT DESCRIPTION
1311.20		SEWER INVERT IN
1309.50		HIGH LEVEL ALARM
	0.50	SENSOR SPACING
1309.00		LAG PUMP START
	0.50	SENSOR SPACING
1308.50		LEAD PUMP START
	2.00	SENSOR SPACING
1306.50		PUMP STOP
	2.00	DISTANCE TO FLOOR
1304.50		FLOOR ELEVATION

© 2012 ROMTEC INC. ALL RIGHTS RESERVED. THESE PLANS AND DRAWINGS MAY NOT BE REPRODUCED, ADAPTED, OR FURTHER DISTRIBUTED, AND NO COMPONENTS MAY BE CONSTRUCTED FROM THESE PLANS, WITHOUT WRITTEN PERMISSION OF ROMTEC, INC.

NOTE: ALL DIMENSIONS AND ELEVATIONS SHOWN ARE NOMINAL DIMENSIONS. IT IS THE RESPONSIBILITY OF THE ON-SITE CONTRACTOR OR ROMTEC UTILITIES CUSTOMER (NOT ROMTEC UTILITIES) TO VERIFY THE ACCURACY OF ANY CRITICAL DIMENSIONS OR ELEVATIONS PRIOR TO SETTING OR INSTALLING ANY EQUIPMENT.

**5' DIAMETER WET WELL
3" DISCHARGE PIPING
EBARA PUMPS
EXTERNAL SHUTOFF**

ALL MATERIALS SHOWN ON THIS SHEET WILL BE SUPPLIED BY ROMTEC UTILITIES AND DELIVERED TO THE SITE AFTER THE HOLE HAS BEEN EXCAVATED AND SHORED. THE CONTRACTOR SHALL SUPPLY A CRANE OF SUFFICIENT SIZE TO LOWER ALL THE CONCRETE PIECES INTO THE HOLE SAFELY. THE CONTRACTOR SHALL INSTALL THE WET WELL (AND VALVE VAULT AND METERING VAULT IF APPLICABLE). ROMTEC UTILITIES WILL PROVIDE A REPRESENTATIVE FOR TECHNICAL ASSISTANCE ON THE DAY OF INSTALLATION TO ANSWER ANY QUESTIONS THAT MAY ARISE. THE CONTRACTOR IS RESPONSIBLE FOR ALL PLUMBING AND ELECTRICAL CONNECTIONS AND INSTALLATION. ITEMS NOTED AS "BY OTHERS" WILL BE PROVIDED AND INSTALLED BY THE CONTRACTOR. ROMTEC UTILITIES WILL NOT INSTALL ANY OF THE COMPONENTS SHOWN ON THIS PAGE.

REV	DESCRIPTION	DATE	APPROV
1	COMPONENT DRAWING	4/11/12	AD

VERIFY SCALE
BAR IS ONE INCH ON ORIGINAL DRAWING
1"
0
IF NOT ONE INCH ON THIS SHEET, ADJUST SCALES ACCORDINGLY
DSN - AD
DRN - AD
CKD - AD
DATE - 4/11/12

COMPONENT DRAWING

ROMTEC UTILITIES
18240 NORTH BANK ROAD
ROSEBURG, OREGON 97470
(541) 496-9678
FAX (541) 496-0804

M+H US, INC.
TATYANA SIVAK
**MICROSOFT C03.1.1
3" - 5' DIA WET WELL**