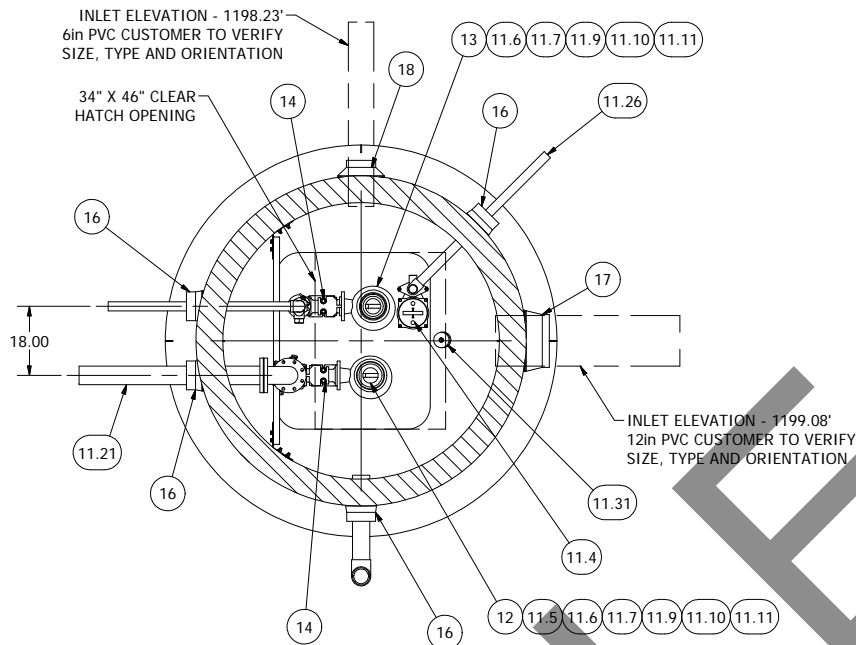
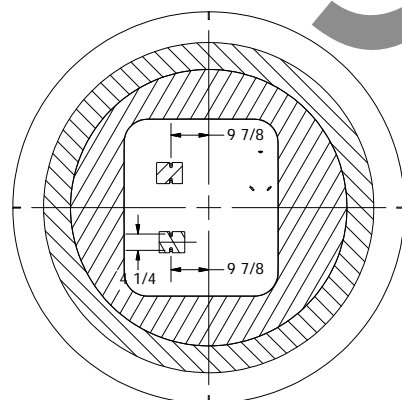
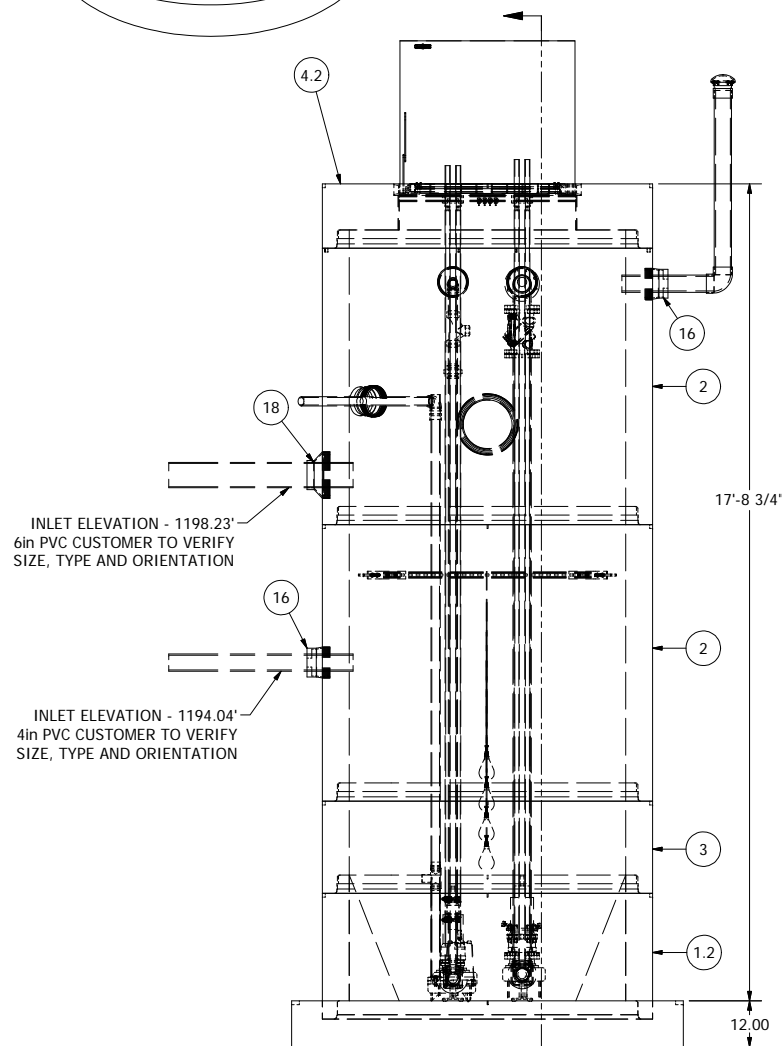


SENSOR AND ELEVATION TABLE		
LEVEL ELEVATION	DISTANCE BETWEEN POINTS	SET POINT DESCRIPTION
1199.08		12in INVERT IN
1198.23		6in INVERT IN
1194.04		4in INVERT IN
1193.70		HIGH LEVEL ALARM
	0.50	SENSOR SPACING
1193.20		LARGE PUMP START
	1.20	SENSOR SPACING
1192.00		SMALL PUMP START
	2.50	SENSOR SPACING
1189.50		PUMP STOP
	2.43	DISTANCE TO FLOOR
1187.07		FLOOR ELEVATION

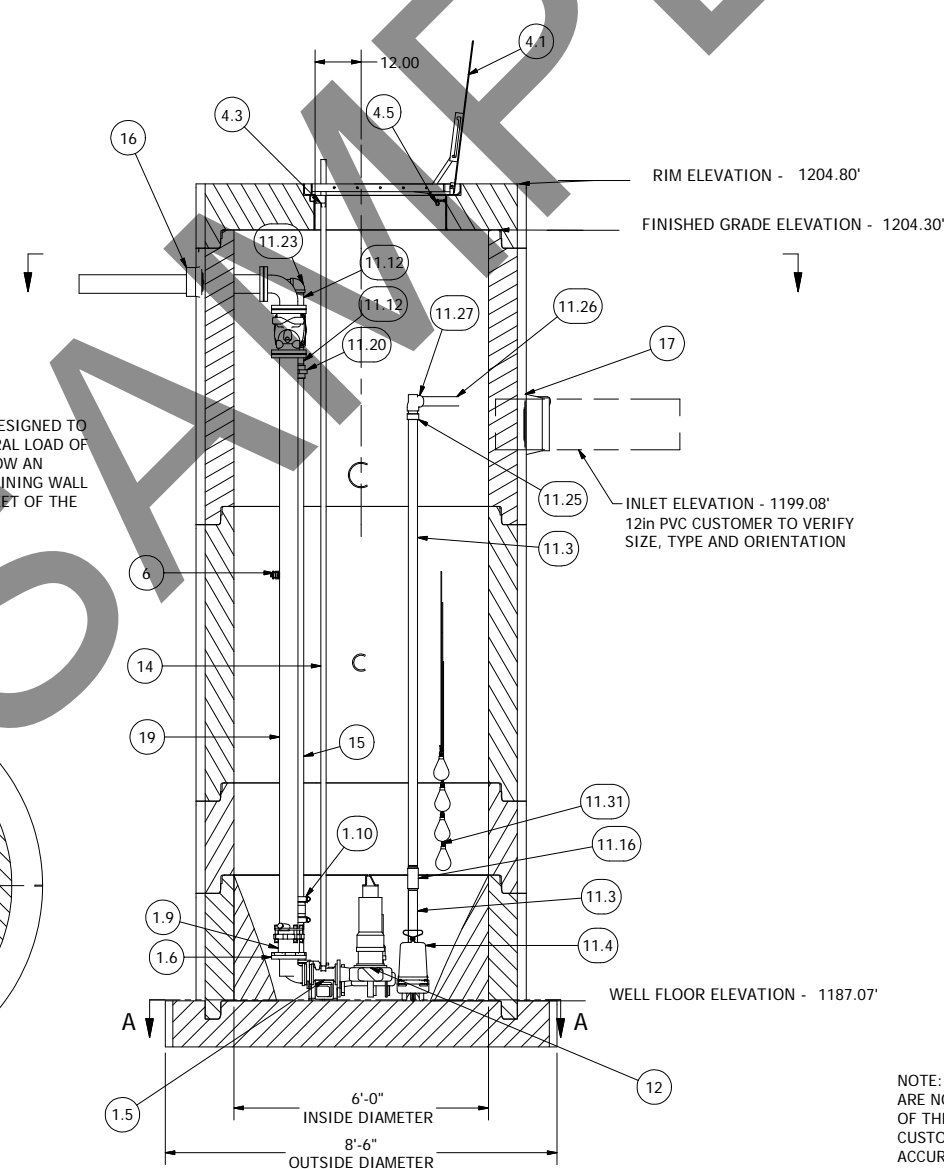


NOTE: WET WELL TOP SLAB IS PEDESTRIAN RATED



SECTION A-A  
ANCHOR BOLT LAYOUT

NOTE:  
THE PRECAST WET WELL SHALL BE DESIGNED TO ACCOMMODATE AN ADDITIONAL LATERAL LOAD OF 500 POUNDS PER SQUARE FOOT BELOW AN ELEVATION OF 1191.00 FROM A RETAINING WALL 4'-0" FROM THE VAULT. BOTTOM 5 FEET OF THE VAULT WILL BE AFFECTED.



**6' DIAMETER WET WELL  
3" DISCHARGE PIPING  
EBARA PUMPS**

NOTE: ALL DIMENSIONS AND ELEVATIONS SHOWN ARE NOMINAL DIMENSIONS. IT IS THE RESPONSIBILITY OF THE ON-SITE CONTRACTOR OR ROMTEC UTILITIES CUSTOMER (NOT ROMTEC UTILITIES) TO VERIFY THE ACCURACY OF ANY CRITICAL DIMENSIONS OR ELEVATIONS PRIOR TO SETTING OR INSTALLING ANY EQUIPMENT.

ALL MATERIALS SHOWN ON THIS SHEET WILL BE SUPPLIED BY ROMTEC UTILITIES AND DELIVERED TO THE SITE AFTER THE HOLE HAS BEEN EXCAVATED AND SHORED. THE CONTRACTOR SHALL SUPPLY A CRANE OF SUFFICIENT SIZE TO LOWER ALL THE CONCRETE PIECES INTO THE HOLE SAFELY. THE CONTRACTOR SHALL INSTALL THE WET WELL (AND VALVE VAULT AND METERING VAULT IF APPLICABLE). ROMTEC UTILITIES WILL PROVIDE A REPRESENTATIVE FOR TECHNICAL ASSISTANCE ON THE DAY OF INSTALLATION TO ANSWER ANY QUESTIONS THAT MAY ARISE. THE CONTRACTOR IS RESPONSIBLE FOR ALL PLUMBING AND ELECTRICAL CONNECTIONS AND INSTALLATION. ITEMS NOTED AS "BY OTHERS" WILL BE PROVIDED AND INSTALLED BY THE CONTRACTOR. ROMTEC UTILITIES WILL NOT INSTALL ANY OF THE COMPONENTS SHOWN ON THIS PAGE.

© 2013 ROMTEC INC. ALL RIGHTS RESERVED. THESE PLANS AND DRAWINGS MAY NOT BE REPRODUCED, ADAPTED, OR FURTHER DISTRIBUTED, AND NO COMPONENTS MAY BE CONSTRUCTED FROM THESE PLANS, WITHOUT WRITTEN PERMISSION OF ROMTEC, INC.

VERIFY SCALE  
BAR IS ONE INCH ON ORIGINAL DRAWING  
1"  
IF NOT ONE INCH ON THIS SHEET, ADJUST SCALES PROPORTIONALLY  
0

COMPONENT DRAWING

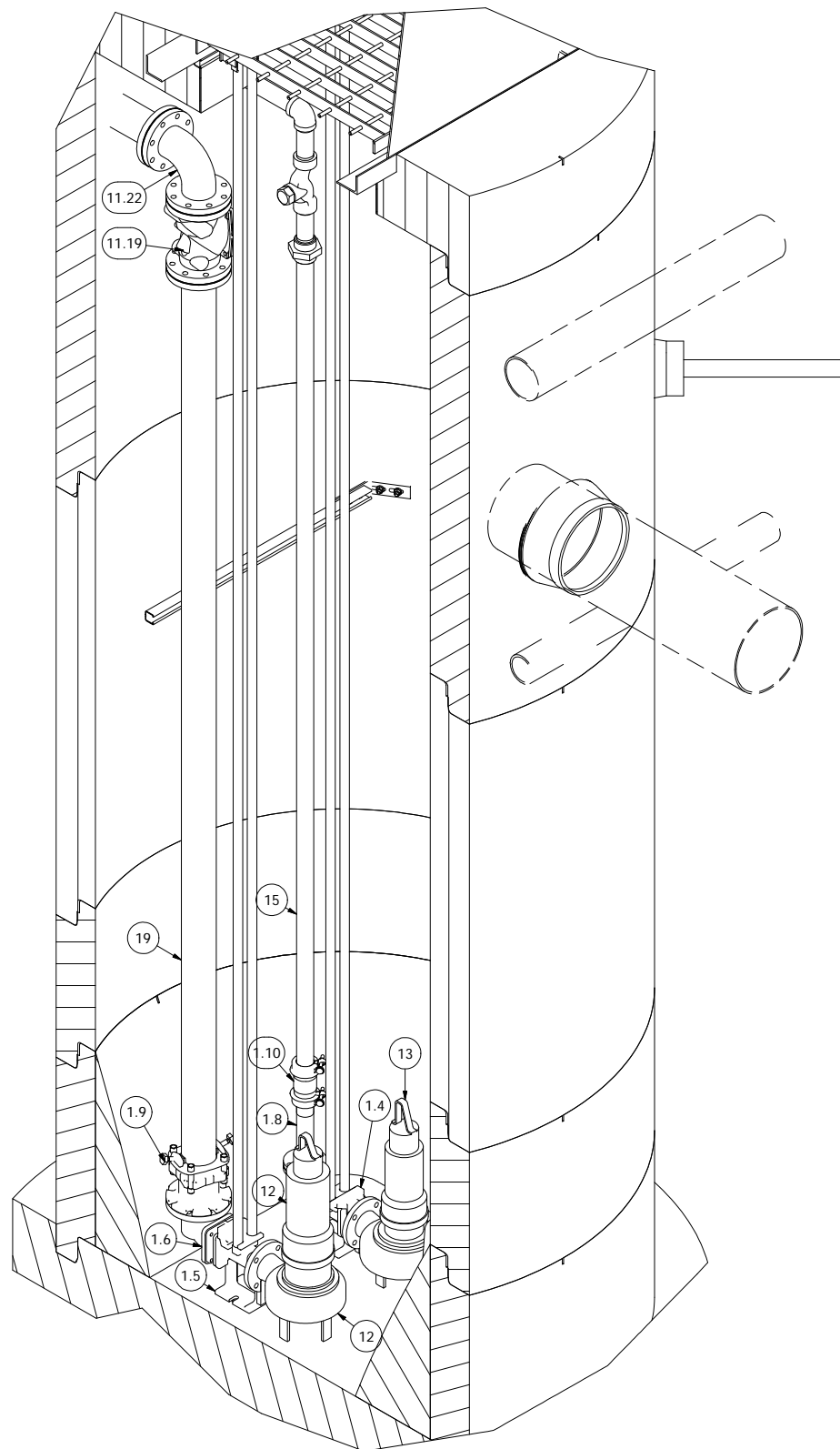
**ROMTEC UTILITIES**  
18240 NORTH BANK ROAD  
ROSEBURG, OREGON 97470  
(541) 496-9678  
FAX (541) 496-0804

MILLIKAN STORMWATER  
3" - 6' DIA WET WELL

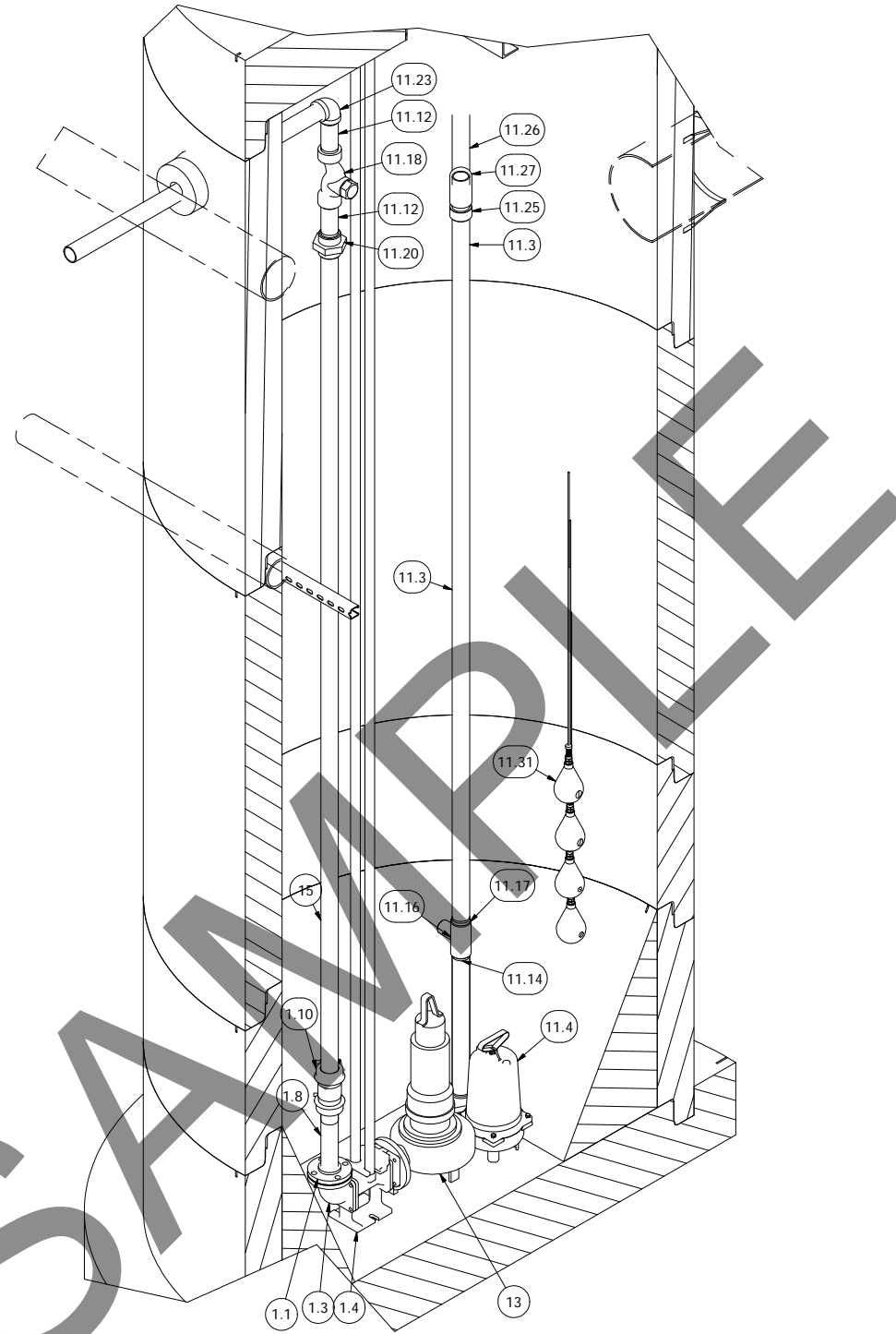
SHEET  
**1 OF 2**  
JOB NUMBER  
RMTC  
0000

REV	DESCRIPTION	DATE	APPROV
4	REVISED PIPING AND PUMP SELECTION PER COMMENTS	12-19-13	AD
3	REVISED FOR PRODUCTION LAUNCH	12-13-13	AD
2	REVISED PER LATEST COMMENTS	12-11-13	AD
1	REVISED WET WELL HEIGHT TO MATCH PLANS	11-14-13	AD

REVISION HISTORY



DETAIL C  
SCALE 1 / 12



DETAIL F  
SCALE 1 / 12

VERIFY SCALE  
BAR IS ONE INCH ON  
ORIGINAL DRAWING

0 1"  
IF NOT ONE INCH ON  
THIS SHEET ADJUST  
SPACES PROPORTIONALLY

DSN - AD  
DRN - AD  
CKD - AD  
DATE - 12-17-13

**ROMTEC**  
**UTILITIES**

18240 NORTH BANK ROAD  
ROSEBURG, OREGON 97470  
(541) 496-9678  
FAX (541) 496-0804

MILLIKAN STORMWATER  
3D DETAIL

SHEET  
2 OF 2

JOB NUMBER  
RMTC  
0000