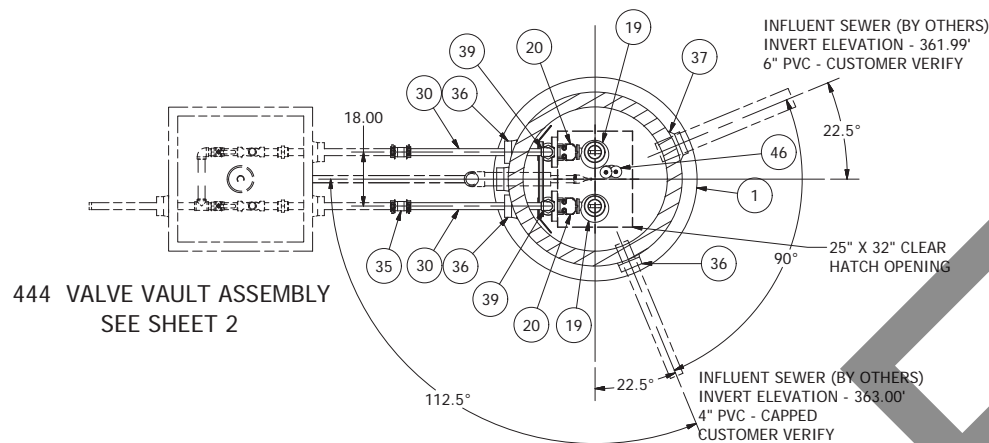
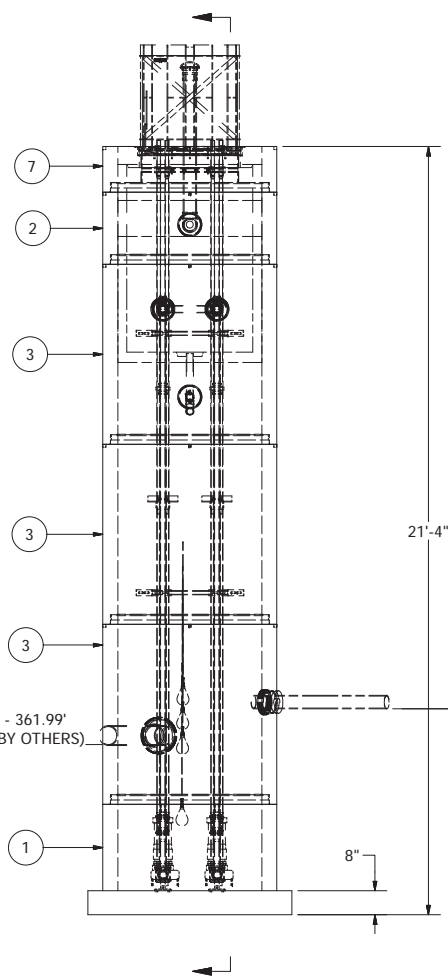


SENSOR AND ELEVATION TABLE		
LEVEL ELEVATION	DISTANCE BETWEEN POINTS	SET POINT DESCRIPTION
361.99		SEWER INVERT IN
361.93		HIGH LEVEL ALARM
	0.50	SENSOR SPACING
361.43		LAG PUMP START
	0.50	SENSOR SPACING
360.93		LEAD PUMP START
	1.00	SENSOR SPACING
359.93		PUMP STOP
	2.00	DISTANCE TO FLOOR
357.93		FLOOR ELEVATION

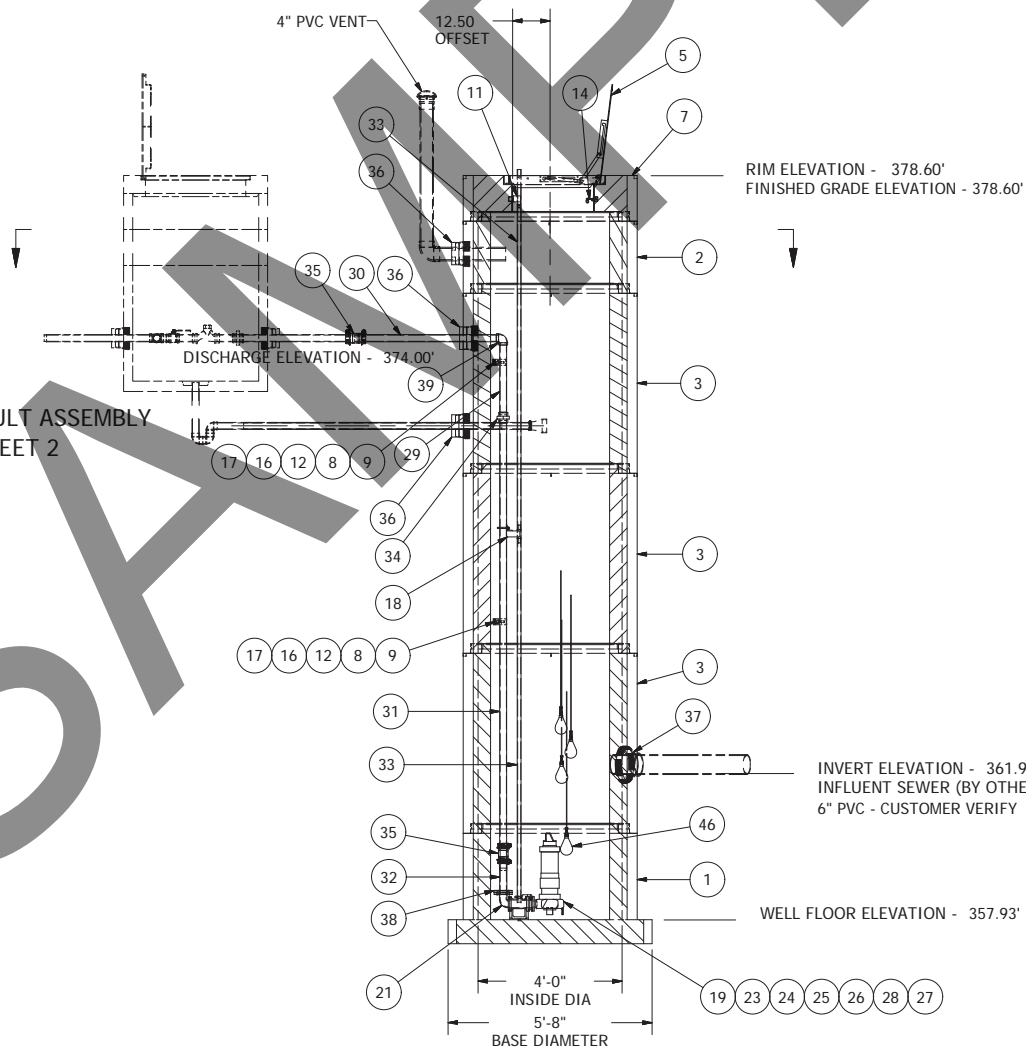


444 VALVE VAULT ASSEMBLY
SEE SHEET 2

NOTE: WET WELL TOP SLAB IS H-20 OCCASIONAL TRAFFIC RATED



444 VALVE VAULT ASSEMBLY
SEE SHEET 2



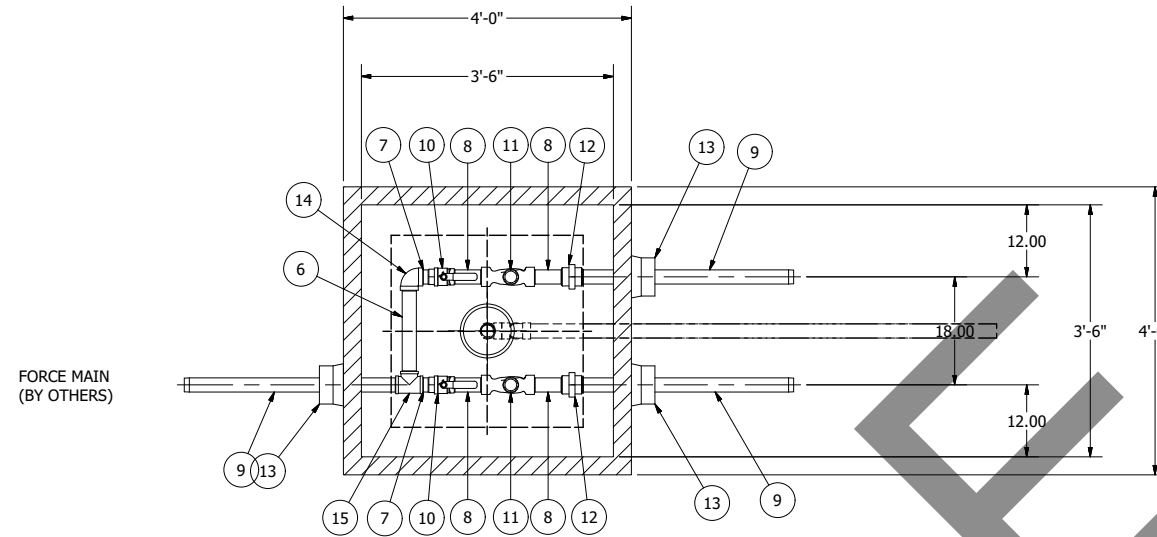
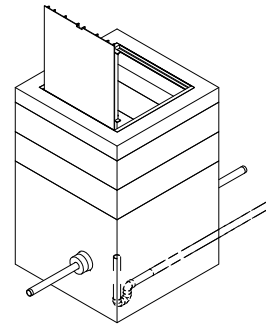
NOTE: ALL DIMENSIONS AND ELEVATIONS SHOWN ARE NOMINAL DIMENSIONS. IT IS THE RESPONSIBILITY OF THE ON-SITE CONTRACTOR OR ROMTEC UTILITIES CUSTOMER (NOT ROMTEC UTILITIES) TO VERIFY THE ACCURACY OF ANY CRITICAL DIMENSIONS OR ELEVATIONS PRIOR TO SETTING OR INSTALLING ANY EQUIPMENT.

**4' DIAMETER WET WELL
2" DISCHARGE PIPING
EBARA PUMPS
2" - 444 VALVE VAULT**

ALL MATERIALS SHOWN ON THIS SHEET WILL BE SUPPLIED BY ROMTEC UTILITIES AND DELIVERED TO THE SITE AFTER THE HOLE HAS BEEN EXCAVATED AND SHORED. THE CONTRACTOR SHALL SUPPLY A CRANE OF SUFFICIENT SIZE TO LOWER ALL THE CONCRETE PIECES INTO THE HOLE SAFELY. THE CONTRACTOR SHALL INSTALL THE WET WELL (AND VALVE VAULT AND METERING VAULT IF APPLICABLE). ROMTEC UTILITIES WILL PROVIDE A REPRESENTATIVE FOR TECHNICAL ASSISTANCE ON THE DAY OF INSTALLATION TO ANSWER ANY QUESTIONS THAT MAY ARISE. THE CONTRACTOR IS RESPONSIBLE FOR ALL PLUMBING AND ELECTRICAL CONNECTIONS AND INSTALLATION. ITEMS NOTED AS "BY OTHERS" WILL BE PROVIDED AND INSTALLED BY THE CONTRACTOR. ROMTEC UTILITIES WILL NOT INSTALL ANY OF THE COMPONENTS SHOWN ON THIS PAGE.

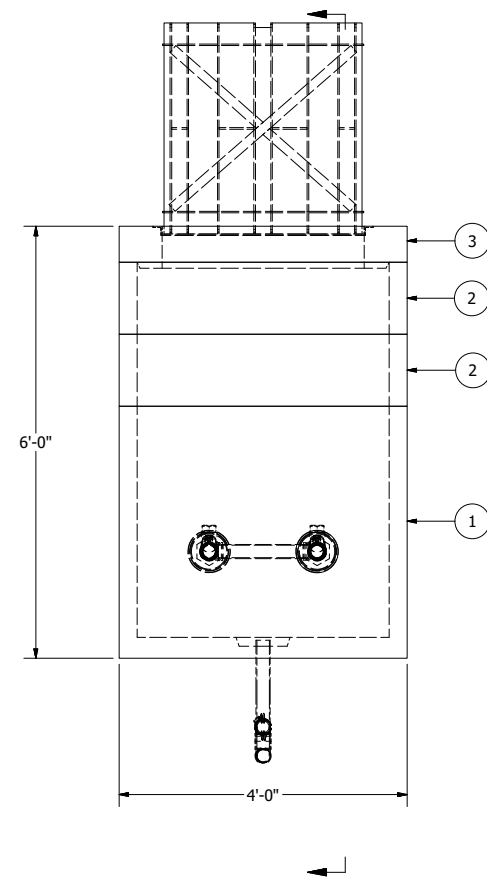
© 2011 ROMTEC INC. ALL RIGHTS RESERVED. THESE PLANS AND DRAWINGS MAY NOT BE REPRODUCED, ADAPTED, OR FURTHER DISTRIBUTED, AND NO COMPONENTS MAY BE CONSTRUCTED FROM THESE PLANS, WITHOUT WRITTEN PERMISSION OF ROMTEC, INC.

VERIFY SCALE BAR IS ONE INCH ON ORIGINAL DRAWING 0 IF NOT ONE INCH ON THIS SHEET, ADJUST SCALES ACCORDINGLY DSN - AM DRN - AM CKD - DATE - 01/10/11	8	PRODUCTION CHANGE	6/3/11	AD
	7	UPDATED PER FULL LAUNCH MEETING	6/2/11	AD
	6	ADDED 4" STUB PIPE AND CHANGED ORIENTATION PER COMMENTS	5/11/11	AD
	5	UPDATED PUMPS PER NEW DUTY POINT	4/25/11	AD
	4	PER PRODUCTION LAUNCH	3/22/11	AD
	3	REVISED PER 3/11/11 COMMENTS	3/16/11	AD
	2	REVISE PER 02/17/11 EMAIL AND DWG COMPONENT DRAWING	02/18/11	AM
	1	COMPONENT DRAWING	01/10/11	AM
COMPONENT DRAWING		ROMTEC UTILITIES 18240 NORTH BANK ROAD ROSEBURG, OREGON 97470 (541) 496-9678 FAX (541) 496-0804		
NEW CONTINUATION HS 2" - 4' DIA WET WELL		SHEET 1 OF 2		
JOB NUMBER RMTC 0000		APPROV HISTORY DATE APPROV		

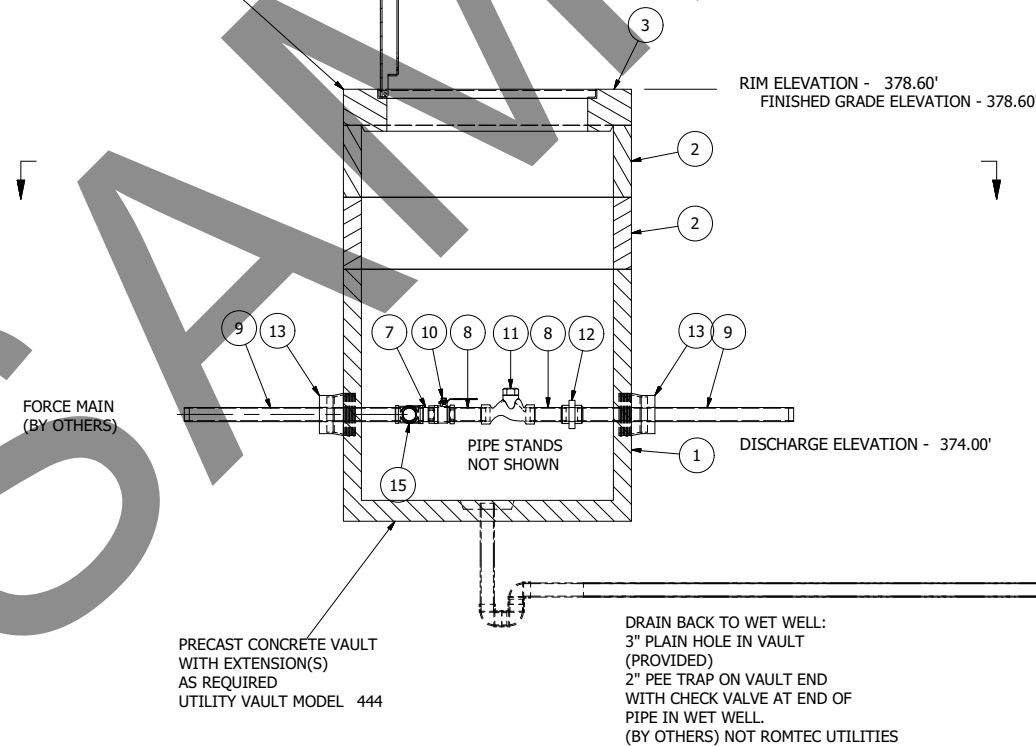


FORCE MAIN
(BY OTHERS)

NOTE: VAULT TOP SLAB IS H-20 OCCASIONAL RATED



PRECAST LID WITH
ALUMINUM VAULT HATCH



FORCE MAIN
(BY OTHERS)

PRECAST CONCRETE VAULT
WITH EXTENSION(S)
AS REQUIRED
UTILITY VAULT MODEL 444

DRAIN BACK TO WET WELL:
3" PLAIN HOLE IN VAULT
(PROVIDED)
2" PEE TRAP ON VAULT END
WITH CHECK VALVE AT END OF
PIPE IN WET WELL.
(BY OTHERS) NOT ROMTEC UTILITIES

FLAP VALVE PROVIDED AND
INSTALLED BY THE CONTRACTOR.
(NOT ROMTEC UTILITIES)

NOTE: ALL DIMENSIONS AND ELEVATIONS SHOWN ARE NOMINAL DIMENSIONS. IT IS THE RESPONSIBILITY OF THE ON-SITE CONTRACTOR OR ROMTEC UTILITIES CUSTOMER (NOT ROMTEC UTILITIES) TO VERIFY THE ACCURACY OF ANY CRITICAL DIMENSIONS OR ELEVATIONS PRIOR TO SETTING OR INSTALLING ANY EQUIPMENT.

**444 VALVE VAULT
2" PIPING AND VALVES**

VERIFY SCALE
BAR IS ONE INCH ON
ORIGINAL DRAWING
1"
0 IF NOT ONE INCH ON
THIS SHEET, ADJUST
SCALE ACCORDINGLY
DSN - AM
DRN - AM
CKD - REV
DATE - 01/10/11

**COMPONENT
DRAWING**

**ROMTEC
UTILITIES**
18240 NORTH BANK ROAD
ROSEBURG, OREGON 97470
(541) 496-9678
FAX (541) 496-0804

MCINTOSH & ASSOC
JUSTIN GOLLIER
**NEW CONTINUATION HS
2" - 444 VALVE VAULT**

SHEET
2 OF 2

JOB NUMBER
**RMTC
0000**

REV	DESCRIPTION	DATE	APPROV
3	REVISED PER LAUNCH MEETING	3/22/11	AD
2	REVISE PER 02/17/11 EMAIL AND DWG	02/18/11	AM
1	COMPONENT DRAWING	01/10/11	AM
0			