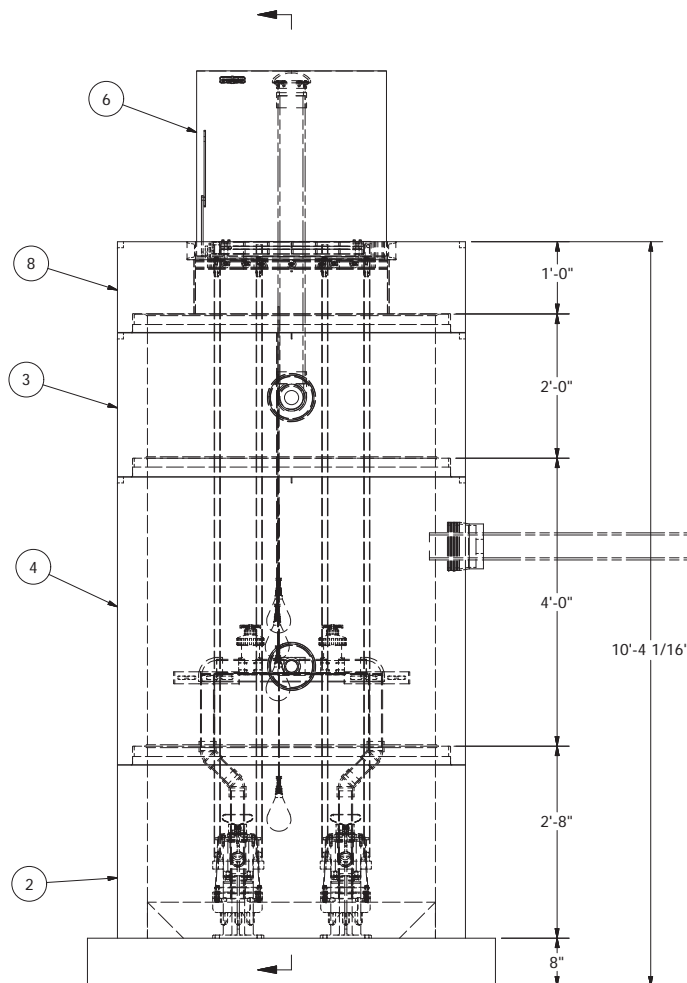
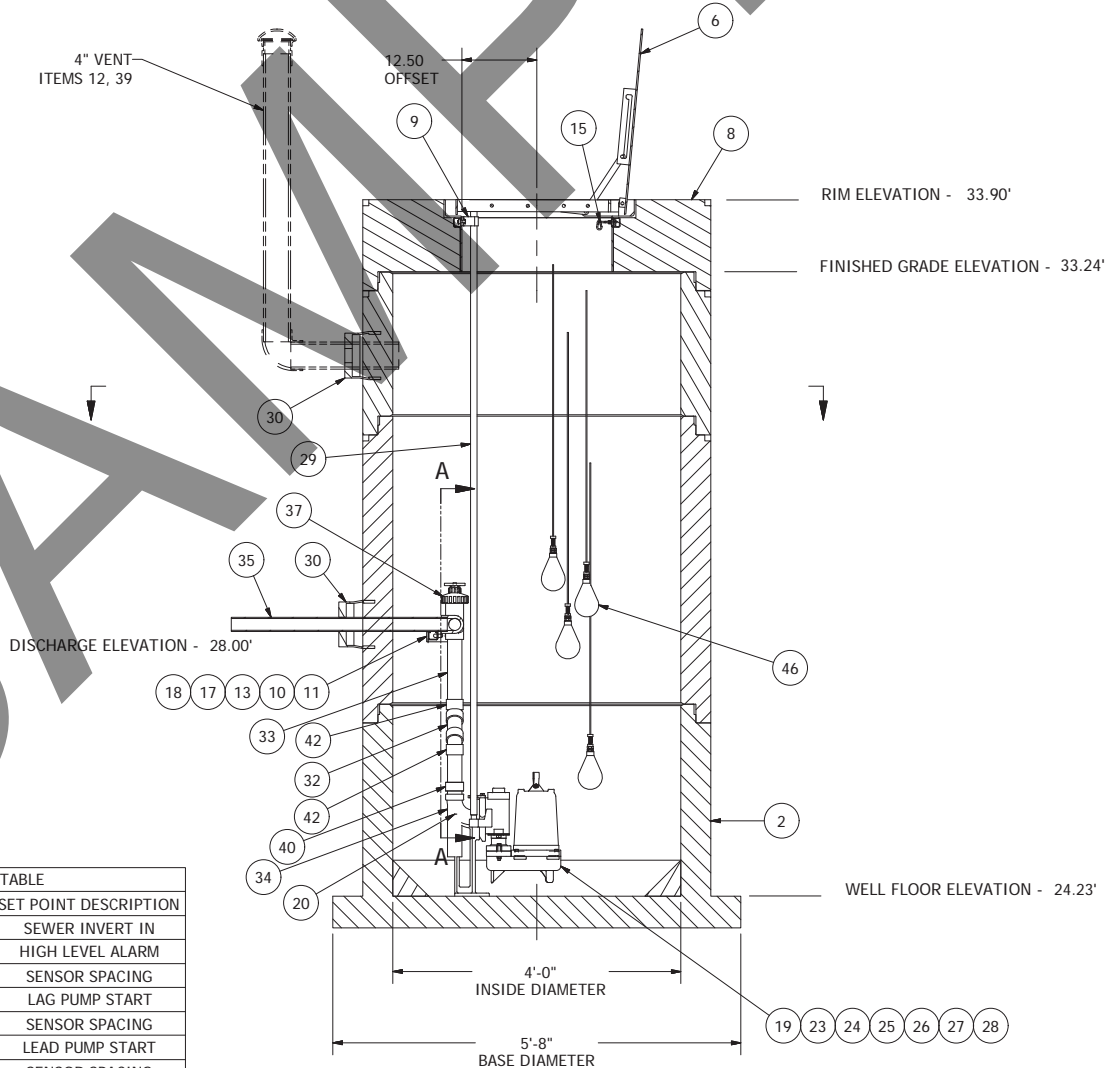


NOTE: WET WELL TOP SLAB IS PEDESTRIAN RATED



INVERT ELEVATION - 29.50'  
INFLUENT SEWER (BY OTHERS)  
4\"/>



SENSOR AND ELEVATION TABLE		
LEVEL ELEVATION	DISTANCE BETWEEN POINTS	SET POINT DESCRIPTION
29.50		SEWER INVERT IN
28.23		HIGH LEVEL ALARM
	0.50	SENSOR SPACING
27.73		LAG PUMP START
	0.50	SENSOR SPACING
27.23		LEAD PUMP START
	1.00	SENSOR SPACING
26.23		PUMP STOP
	2.00	DISTANCE TO FLOOR
24.23		FLOOR ELEVATION

NOTE: ALL DIMENSIONS AND ELEVATIONS SHOWN ARE NOMINAL DIMENSIONS. IT IS THE RESPONSIBILITY OF THE ON-SITE CONTRACTOR OR ROMTEC UTILITIES CUSTOMER (NOT ROMTEC UTILITIES) TO VERIFY THE ACCURACY OF ANY CRITICAL DIMENSIONS OR ELEVATIONS PRIOR TO SETTING OR INSTALLING ANY EQUIPMENT.

**4\"/>**

ALL MATERIALS SHOWN ON THIS SHEET WILL BE SUPPLIED BY ROMTEC UTILITIES AND DELIVERED TO THE SITE AFTER THE HOLE HAS BEEN EXCAVATED AND SHORED. THE CONTRACTOR SHALL SUPPLY A CRANE OF SUFFICIENT SIZE TO LOWER ALL THE CONCRETE PIECES INTO THE HOLE SAFELY. THE CONTRACTOR SHALL INSTALL THE WET WELL (AND VALVE VAULT AND METERING VAULT IF APPLICABLE). ROMTEC UTILITIES WILL PROVIDE A REPRESENTATIVE FOR TECHNICAL ASSISTANCE ON THE DAY OF INSTALLATION TO ANSWER ANY QUESTIONS THAT MAY ARISE. THE CONTRACTOR IS RESPONSIBLE FOR ALL PLUMBING AND ELECTRICAL CONNECTIONS AND INSTALLATION. ITEMS NOTED AS "BY OTHERS" WILL BE PROVIDED AND INSTALLED BY THE CONTRACTOR. ROMTEC UTILITIES WILL NOT INSTALL ANY OF THE COMPONENTS SHOWN ON THIS PAGE.

VERIFY SCALE  
BAR IS ONE INCH ON ORIGINAL DRAWING  
1"  
IF NOT ONE INCH ON THIS SHEET, ADJUST SCALES PROPORTIONALLY  
0

COMPONENT DRAWING

**ROMTEC UTILITIES**  
18240 NORTH BANK ROAD  
ROSEBURG, OREGON 97470  
(541) 496-9678  
FAX (541) 496-0804

UNOCAL SHINGLE SPRINGS  
2\"/>

SHEET  
**1 OF 1**  
JOB NUMBER  
**RMTCC  
0000**

REV	DESCRIPTION	DATE	APPROV
2	CHANGED SYSTEM TO 2\"/>	7/23/10	AD
1	COMPONENT DRAWING	09/31/09	AJI
REV		DATE	APPROV

ATC DESIGN GROUP  
ERIC ANDERSON