

ISO VIEW  
SCALE 1 / 30

5' DIAMETER WET WELL  
3" DISCHARGE PIPING  
KEEN K3RN(X)

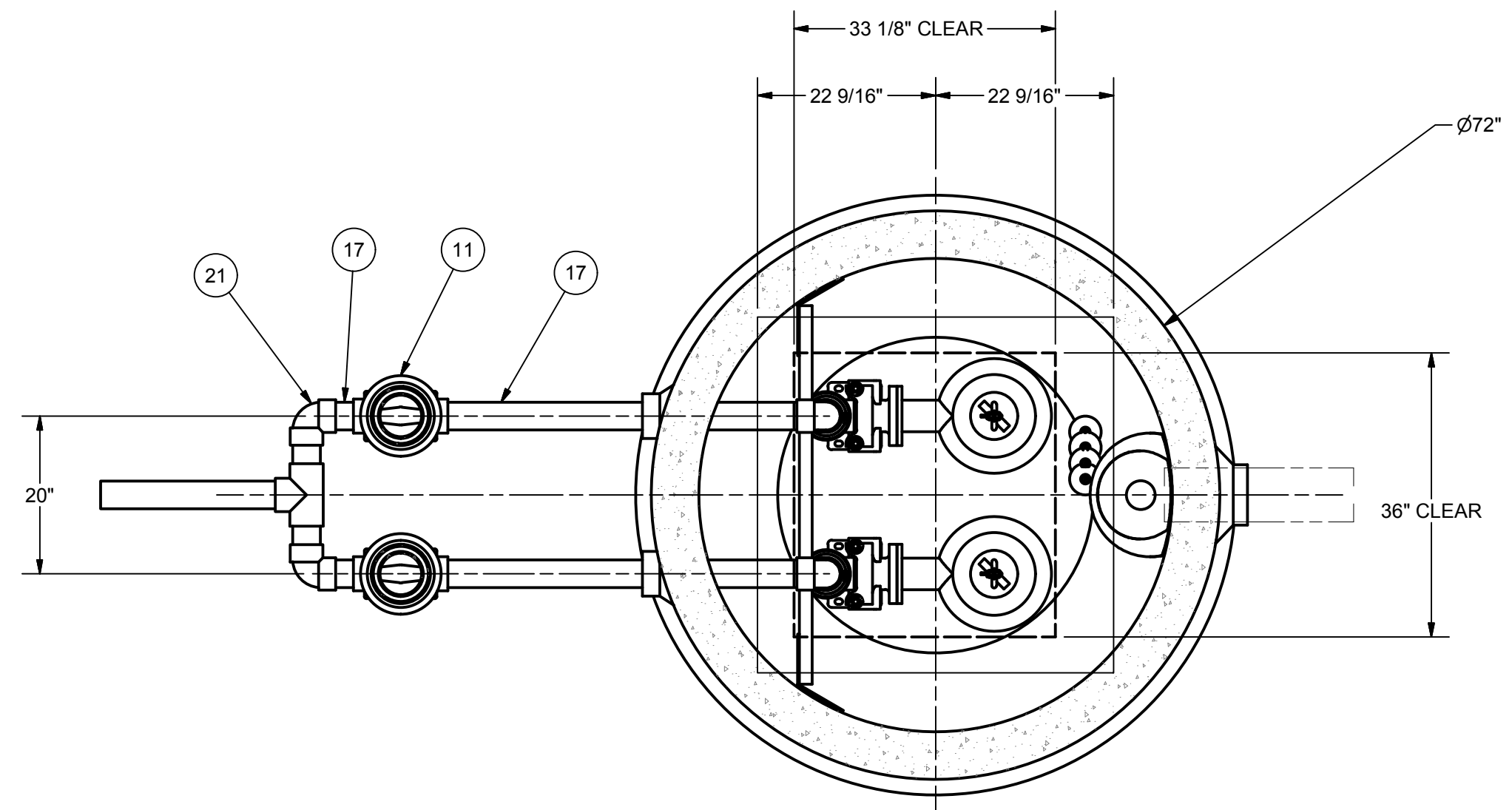
FG & RIM  
ELEVATION: 462.30'

DISCHARGE CL  
ELEVATION: 459.90'

NOTE:  
CONDUIT TO CONTROL PANEL (BY OTHERS)  
MINIMUM:  
(2) FOR POWER  
(1) FOR LEVEL SENSING

ALL MATERIALS SHOWN ON THIS SHEET WILL BE SUPPLIED BY ROMTEC UTILITIES AND DELIVERED TO THE SITE AFTER THE HOLE HAS BEEN EXCAVATED AND SHORED. THE CONTRACTOR SHALL SUPPLY A CRANE OF SUFFICIENT SIZE TO LOWER ALL THE CONCRETE PIECES INTO THE HOLE SAFELY. THE CONTRACTOR SHALL INSTALL THE WET WELL (AND VALVE VAULT AND METERING VAULT IF APPLICABLE). ROMTEC UTILITIES WILL PROVIDE A REPRESENTATIVE FOR TECHNICAL ASSISTANCE ON THE DAY OF INSTALLATION TO ANSWER ANY QUESTIONS THAT MAY ARISE. THE CONTRACTOR IS RESPONSIBLE FOR ALL PLUMBING AND ELECTRICAL CONNECTIONS AND INSTALLATION. ITEMS NOTED AS "BY OTHERS" WILL BE PROVIDED AND INSTALLED BY THE CONTRACTOR. ROMTEC UTILITIES WILL NOT INSTALL ANY OF THE COMPONENTS SHOWN ON THIS PAGE.

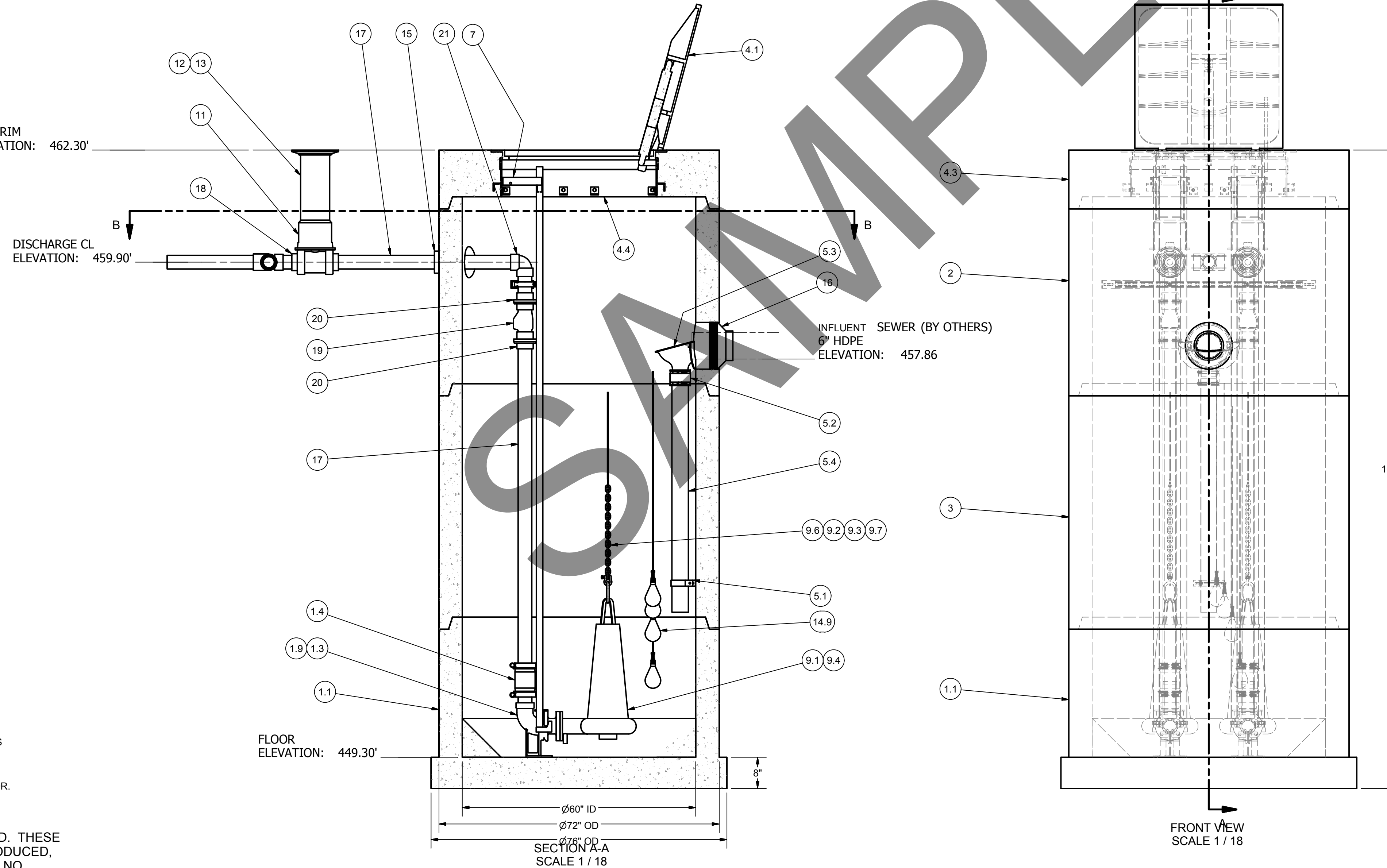
© 2018 ROMTEC INC. ALL RIGHTS RESERVED. THESE PLANS AND DRAWINGS MAY NOT BE REPRODUCED, ADAPTED, OR FURTHER DISTRIBUTED, AND NO COMPONENTS MAY BE CONSTRUCTED FROM THESE PLANS, WITHOUT WRITTEN PERMISSION OF ROMTEC, INC.



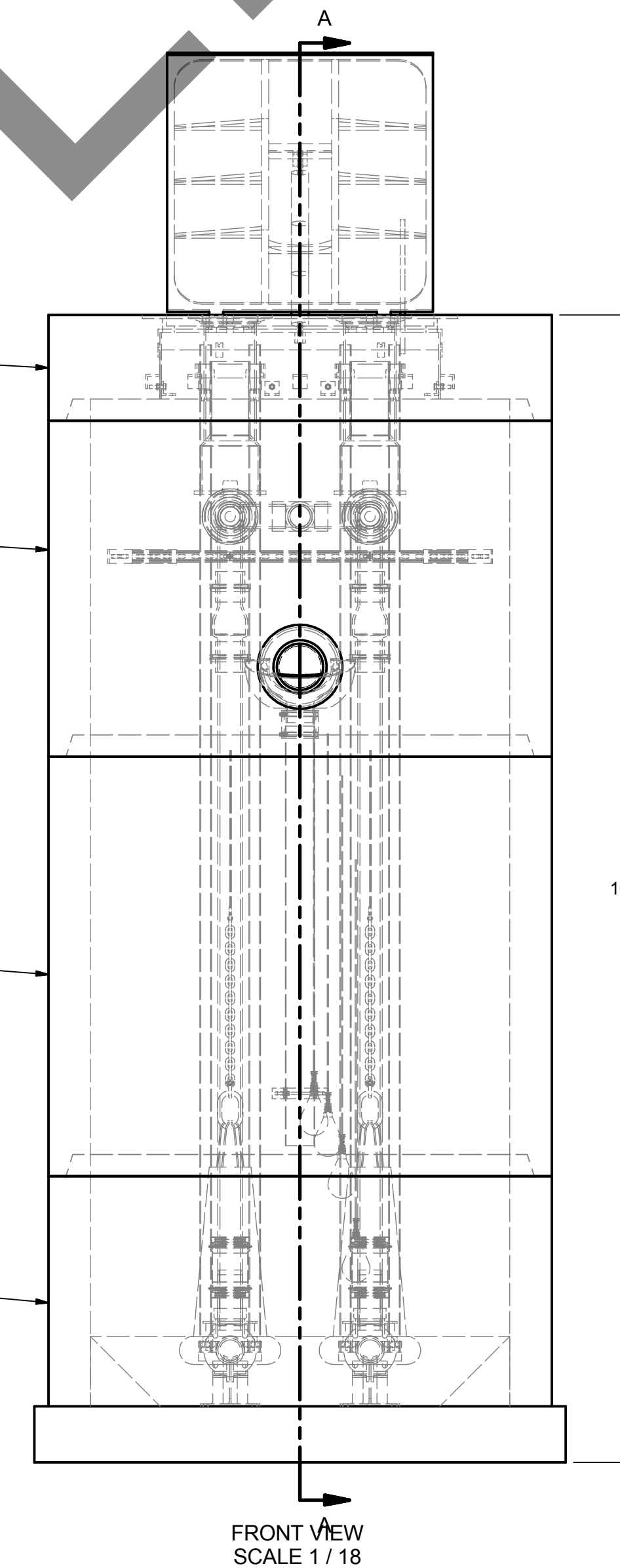
SECTION B-B  
SCALE 1 / 18

NOTE: TOP SLAB AND HATCH ARE  
AIRCRAFT RATED

PRIMARY SENSOR ELEVATION TABLE		
DESCRIPTION	ELEVATION	Δ
INFLUENT INVERT	457.86	4.81
HIGH LEVEL ALARM	453.05	0.25
LAG PUMP START	452.80	0.50
LEAD PUMP START	452.30	1.00
PUMP STOP	451.30	2.00
WELL FLOOR	449.30	



SECTION A-A  
SCALE 1 / 18



FRONT VIEW  
SCALE 1 / 18

NOTE: CONTRACTOR TO SEAL ALL CONCRETE JOINTS AND PIPE PENETRATIONS WITH NON-SHRINK GROUT

NOTE: ALL DIMENSIONS AND ELEVATIONS SHOWN ARE NOMINAL DIMENSIONS. IT IS THE RESPONSIBILITY OF THE ON-SITE CONTRACTOR OR ROMTEC UTILITIES CUSTOMER (NOT ROMTEC UTILITIES) TO VERIFY THE ACCURACY OF ANY CRITICAL DIMENSIONS OR ELEVATIONS PRIOR TO SETTING OR INSTALLING ANY EQUIPMENT.

REV	DATE	DESCRIPTION	BY
1	3/27/18	REMOVED CONTROLS AND LEVEL SENSING	AD
2	4/13/2018	PRODUCTION	KB
3	5/15/2018	REVISED HATCH BATTING TO AIRCRAFT RATED	AD
3	5/31/2018	ADDED HATCH SAFETY NET SKIRT	AD

VERIFY SCALE	1" = 16'
DSN: LS	
DRN: LS	
CKD: KB	
DATE:	3/19/18

**ROMTEC UTILITIES**  
18240 NORTH BANK ROAD  
ROSEBURG, OREGON 97470  
PHONE: (503) 686-9676  
WWW.ROMTECUTILITIES.COM

PG&E DANVILLE  
WET WELL ASSEMBLY  
COMPONENT DRAWING