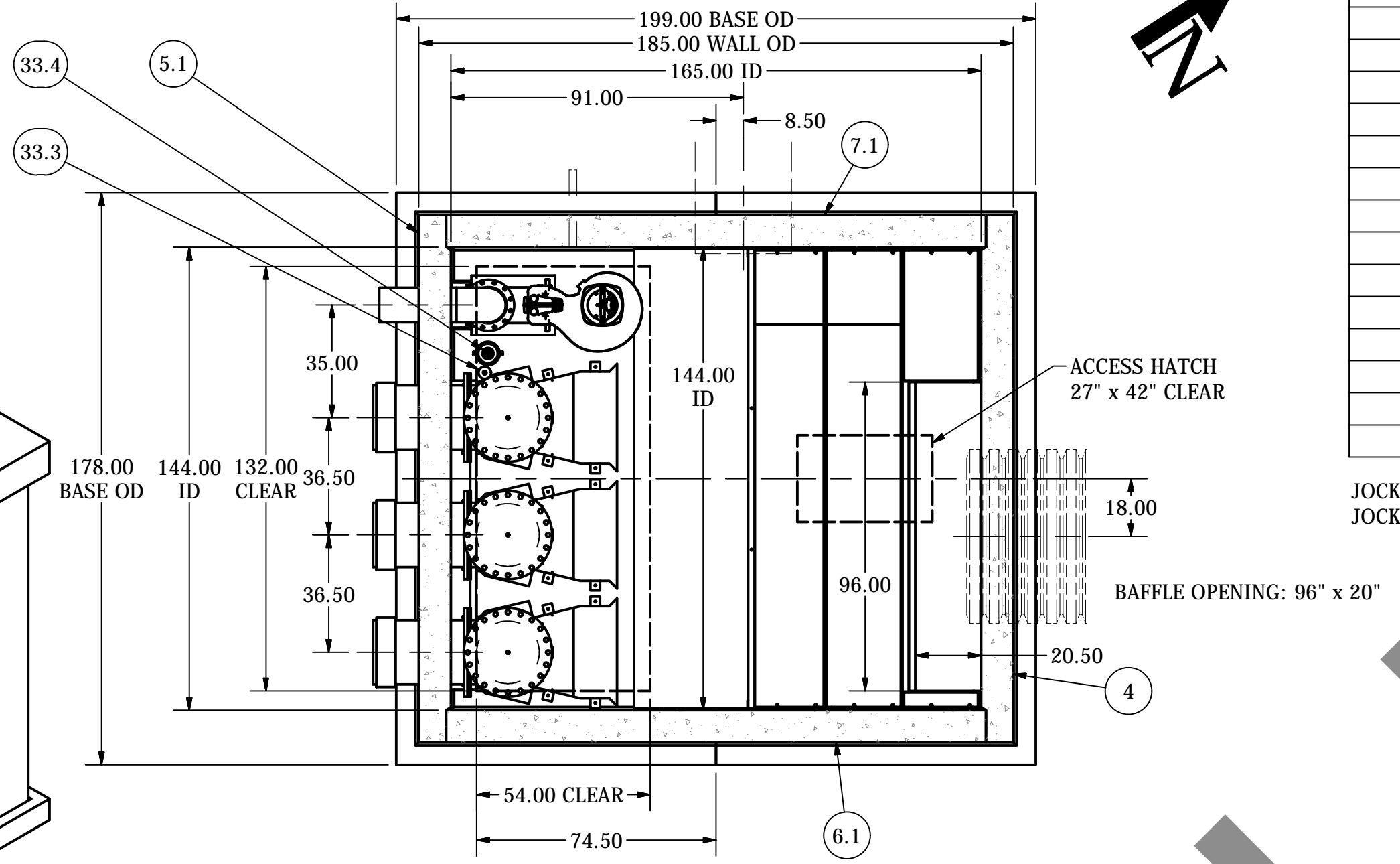


12' x 13'9" WET WELL  
 TRIPLEX 20", 10" JOCKEY PIPING  
 FLYGT PL7030 & NP3153LT  
 THREE 24" VALVE VAULTS

ISO VIEW  
 SCALE 1 / 60

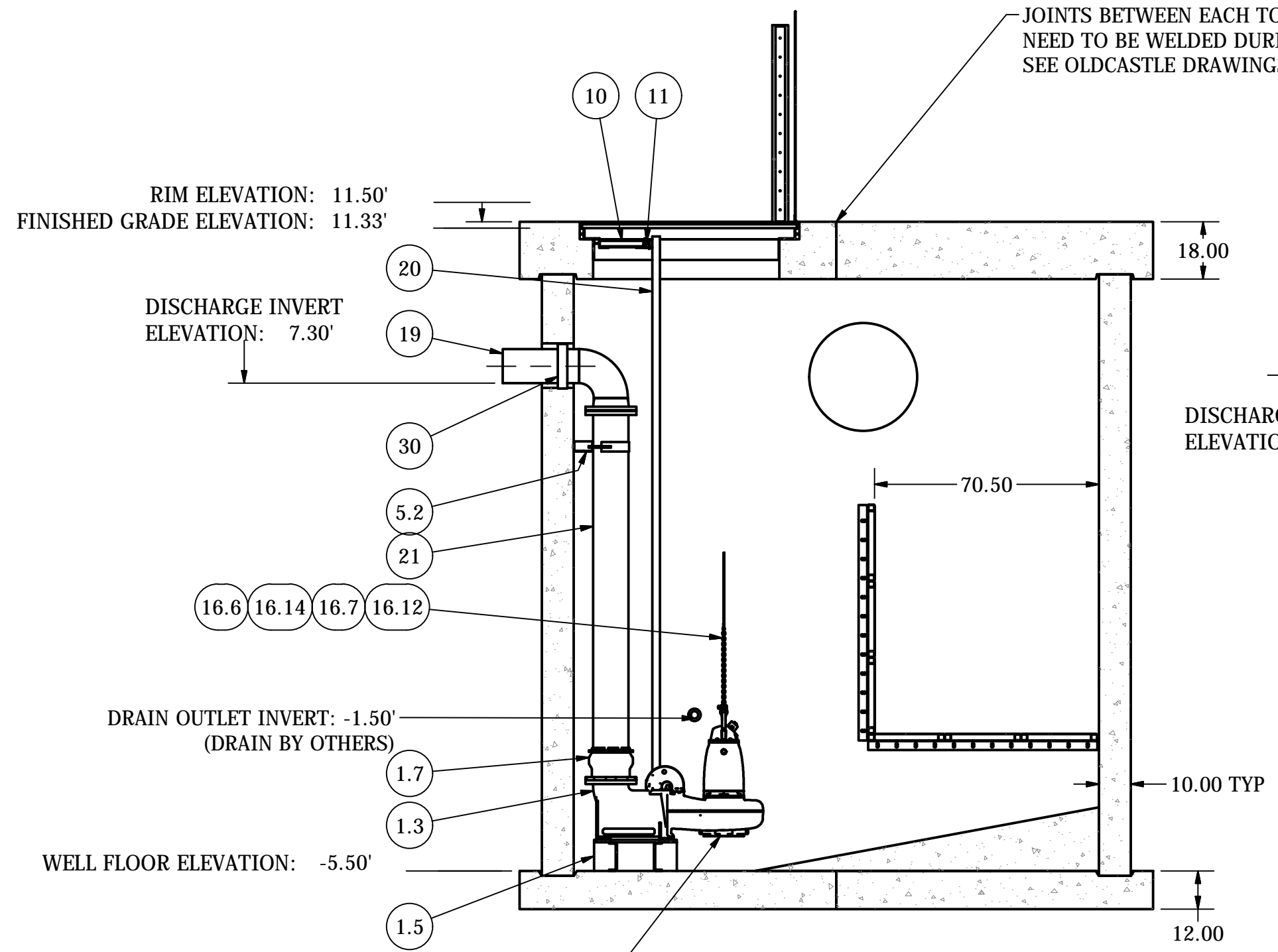


TOP VIEW  
 SECTION C-C  
 SCALE 1 / 40

SENSOR AND ELEVATION TABLE (PROPELLER PUMPS)		
LEVEL ELEVATION	DISTANCE BETWEEN POINTS	SET POINT DESCRIPTION
0.95'		INVERT IN
---		BACK UP PUMPS START
		SENSOR SPACING
---		BACK UP PUMPS STOP
		SENSOR SPACING
3.25'		BACK UP HL ALARM
3.00'		HIGH LEVEL ALARM
	0.25'	SENSOR SPACING
2.75'		LAG PUMP START
	1.00'	SENSOR SPACING
1.75'		LEAD PUMP START
	3.50'	SENSOR SPACING
-1.75'		PUMP STOP
	3.75'	DISTANCE TO FLOOR
-5.50'		FLOOR ELEVATION

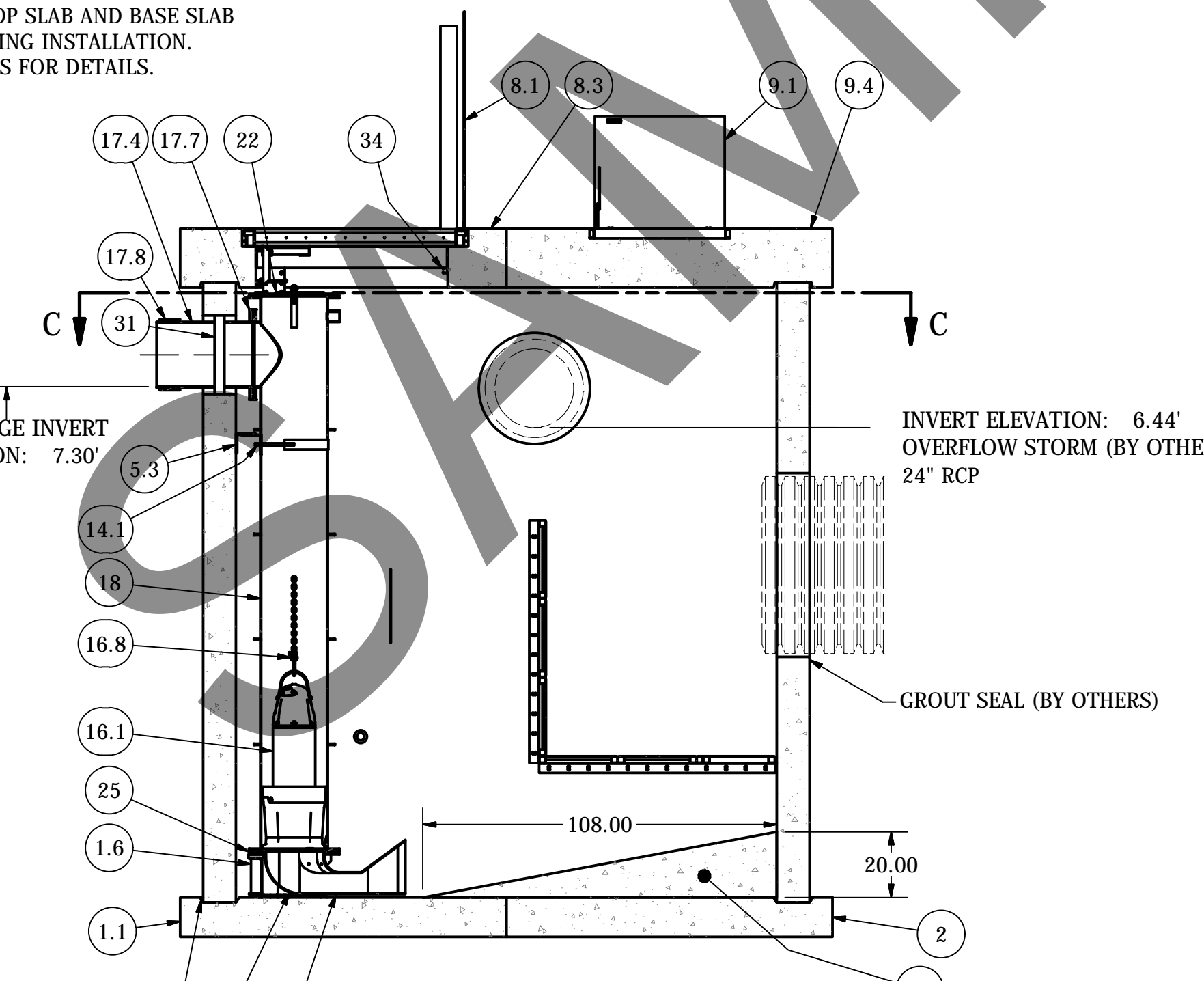
JOCKEY START: -1.75'  
 JOCKEY STOP: -3.50'

NOTE: WET WELL TOP SLAB IS H-10 OCCASIONAL TRAFFIC RATED



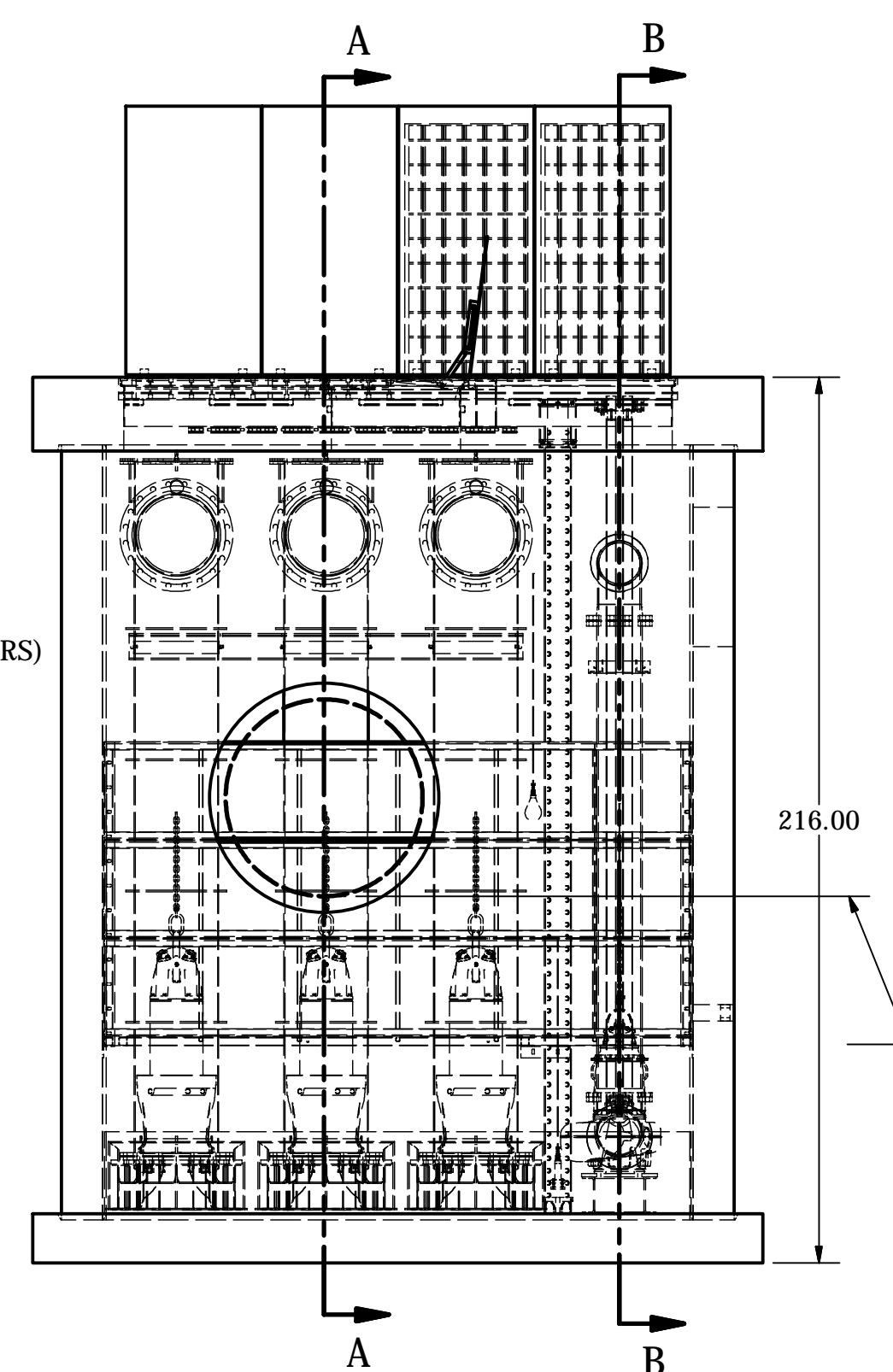
JOCKEY PUMP PROFILE  
 SECTION B-B  
 SCALE 1 / 40

NOTE:  
 CONDUIT TO CONTROL PANEL (BY OTHERS)  
 MINIMUM:  
 (4) FOR POWER CABLES  
 (1) FOR LEVEL SENSING



MAIN PUMP PROFILE  
 SECTION A-A  
 SCALE 1 / 40

GROUT SEAL ALL JOINTS  
 PRIOR TO BACKFILLING (BY OTHERS)  
 GROUT UNDER FORMED SUCTION INTAKES



INLET SIDE VIEW  
 SCALE 1 / 40

INVERT ELEVATION: 0.95'  
 INFLUENT STORM (BY OTHERS)  
 48" HDPE

ALL MATERIALS SHOWN ON THIS SHEET WILL BE SUPPLIED BY ROMTEC UTILITIES AND DELIVERED TO THE SITE AFTER THE HOLE HAS BEEN EXCAVATED AND SHORED. THE CONTRACTOR SHALL SUPPLY A CRANE OF SUFFICIENT SIZE TO LOWER ALL THE CONCRETE PIECES INTO THE HOLE SAFELY. THE CONTRACTOR SHALL INSTALL THE WET WELL (AND VALVE VAULT AND METERING VAULT IF APPLICABLE). ROMTEC UTILITIES WILL PROVIDE A REPRESENTATIVE FOR TECHNICAL ASSISTANCE ON THE DAY OF INSTALLATION TO ANSWER ANY QUESTIONS THAT MAY ARISE. THE CONTRACTOR IS RESPONSIBLE FOR ALL PLUMBING AND ELECTRICAL CONNECTIONS AND INSTALLATION. ITEMS NOTED AS "BY OTHERS" WILL BE PROVIDED AND INSTALLED BY THE CONTRACTOR. ROMTEC UTILITIES WILL NOT INSTALL ANY OF THE COMPONENTS SHOWN ON THIS PAGE.

© 2017 ROMTEC INC. ALL RIGHTS RESERVED. THESE PLANS AND DRAWINGS MAY NOT BE REPRODUCED, ADAPTED, OR FURTHER DISTRIBUTED, AND NO COMPONENTS MAY BE CONSTRUCTED FROM THESE PLANS, WITHOUT WRITTEN PERMISSION OF ROMTEC, INC.

NOTE: ALL DIMENSIONS AND ELEVATIONS SHOWN ARE NOMINAL DIMENSIONS. IT IS THE RESPONSIBILITY OF THE ON-SITE CONTRACTOR OR ROMTEC UTILITIES CUSTOMER (NOT ROMTEC UTILITIES) TO VERIFY THE ACCURACY OF ANY CRITICAL DIMENSIONS OR ELEVATIONS PRIOR TO SETTING OR INSTALLING ANY EQUIPMENT.

NOTE: NON-STAINLESS STEEL COMPONENTS TO HAVE TNEMEC 61 COATING & LINING.  
 THE FORMED SUCTION INTAKES TO HAVE COAL TAR EPOXY COATING & LINING

REV	DESCRIPTION	DATE	APPROV
1	PUMP CONFIG, CONCRETE DIMS, ACCT EDITS	2-8-17	KB
2	MINOR DISCHARGE ELEVATION CHANGES	3-3-17	KB
3	RECONFIG PARTS LIST, LAUNCH, TOP SLAB THICKNESS	8-8-17	KB
4	PRE-INSTALLATION PACKAGE	10-4-17	KB
5	AS BUILT, OVERFLOW PIPE, NEW COLUMNS	1-9-18	KB

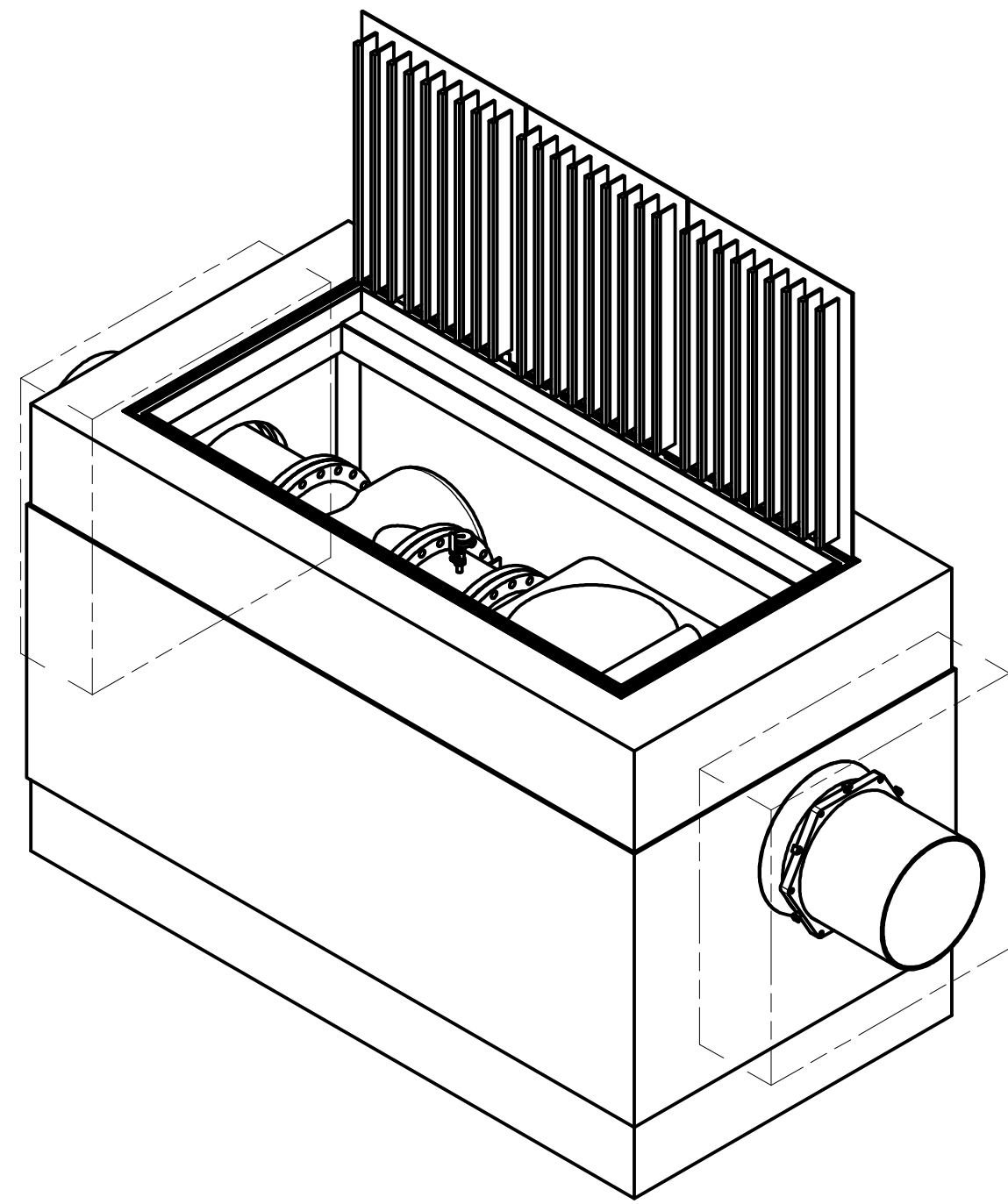
COMPONENT  
 DRAWING

ROMTEC UTILITIES  
 18240 NORTH BANK ROAD  
 ROSEBURG, OREGON 97470  
 (541) 496-9678  
 FAX (541) 496-0804

RUNWAY 3-21  
 WET WELL ASSEMBLY

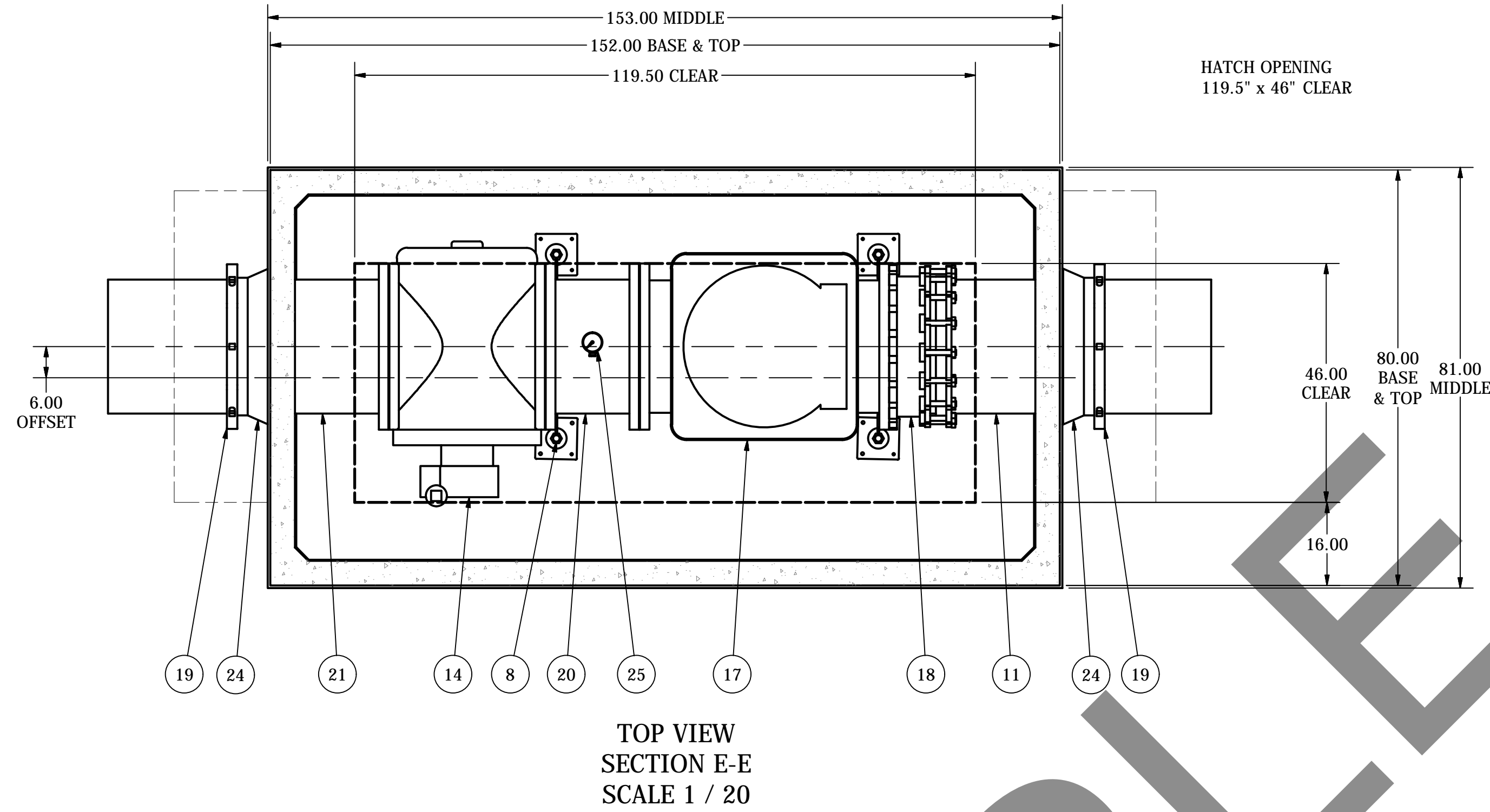
SHEET  
 1 OF 2  
 JOB NUMBER  
 RMT  
 0000





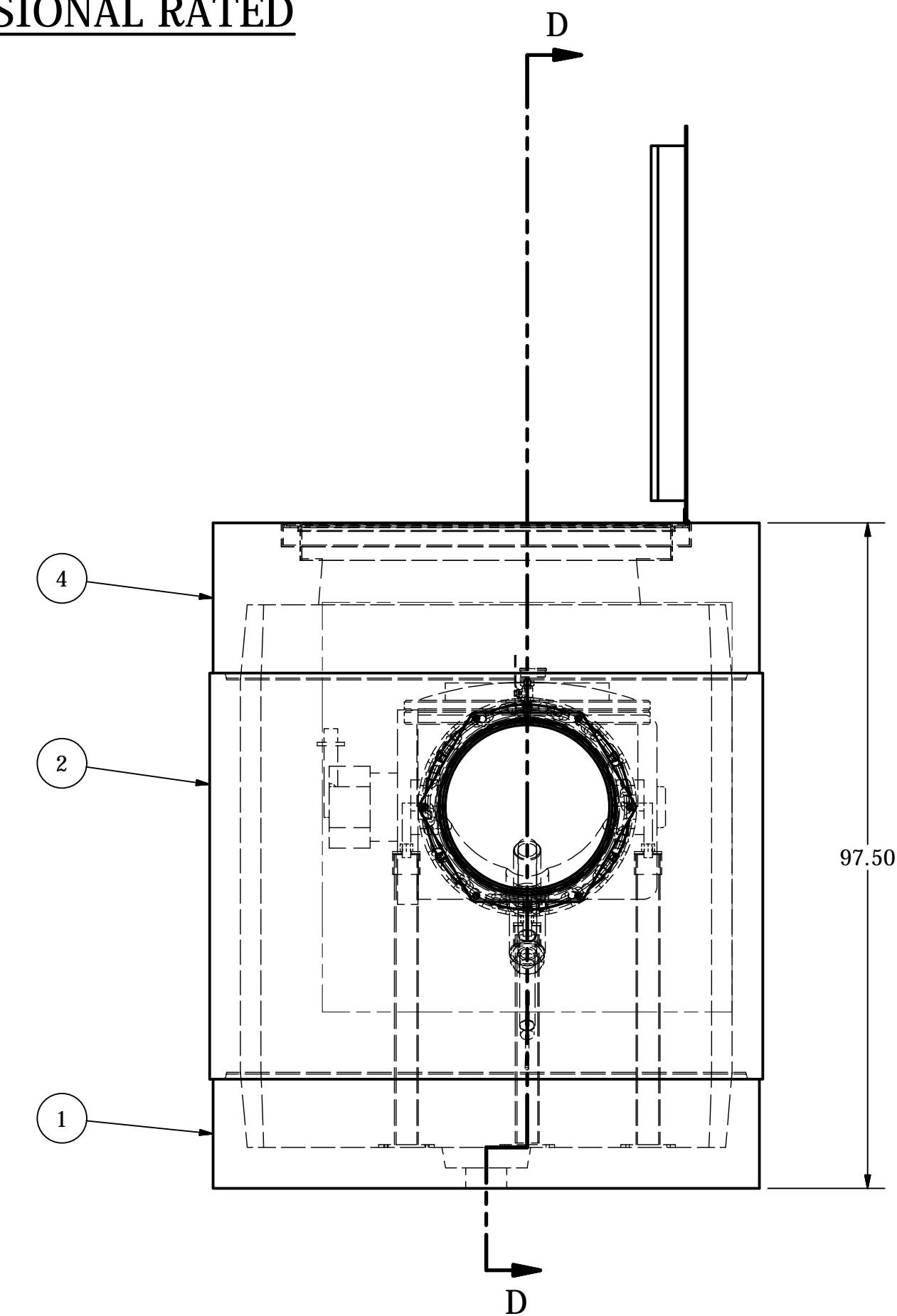
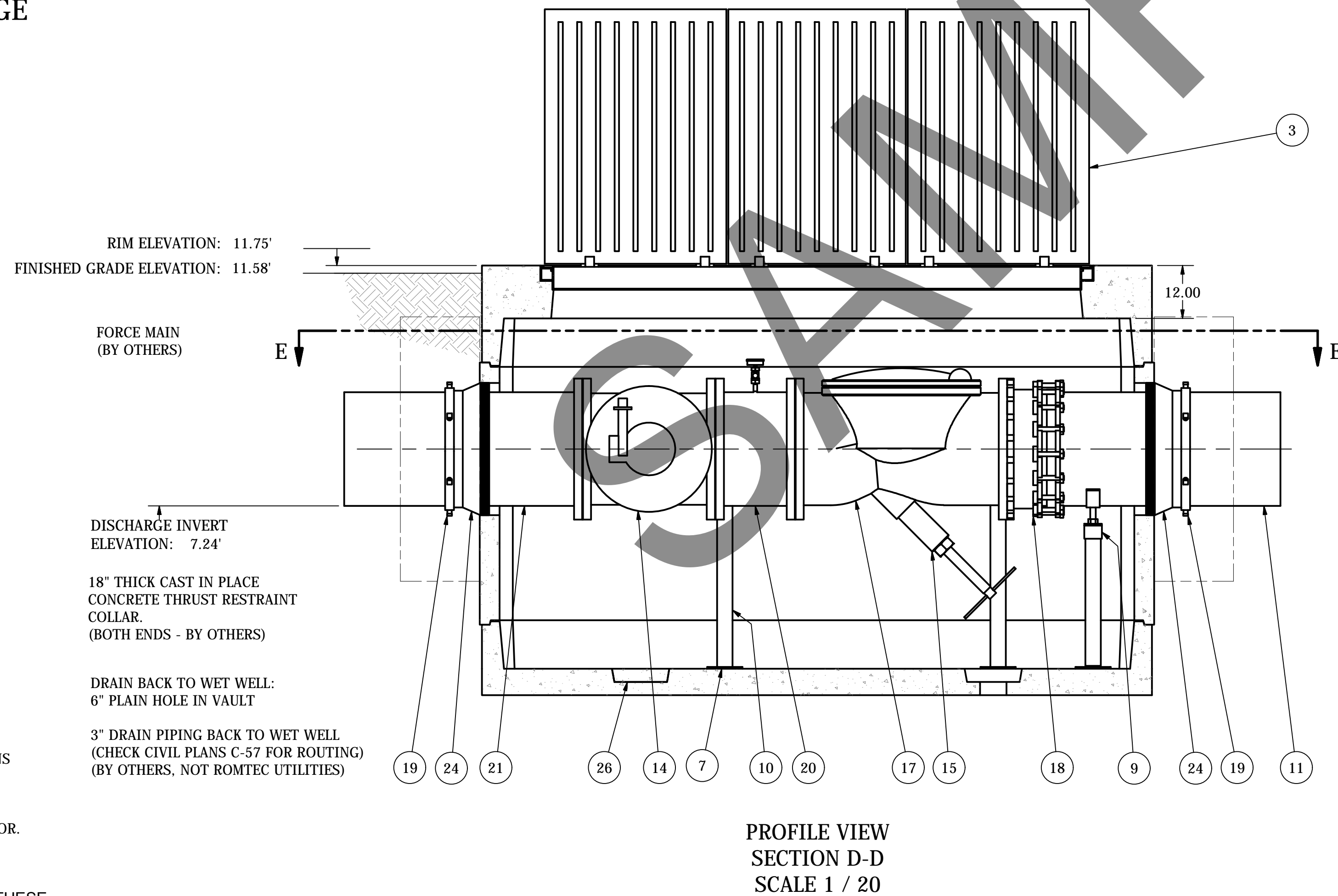
ISO VIEW  
SCALE 1 / 30

612 VALVE VAULT  
24" PIPING AND VALVES  
W/ PRESSURE GAUGE



NOTE: THIS PARTS LIST IS FOR A SINGLE VAULT  
A TOTAL OF THREE VAULTS WILL BE PROVIDED

NOTE: VAULT TOP SLAB IS H-20 OCCASIONAL RATED



ALL MATERIALS SHOWN ON THIS SHEET WILL BE SUPPLIED BY ROMTEC UTILITIES AND DELIVERED TO THE SITE AFTER THE HOLE HAS BEEN EXCAVATED AND SHORED. THE CONTRACTOR SHALL SUPPLY A CRANE OF SUFFICIENT SIZE TO LOWER ALL THE CONCRETE PIECES INTO THE HOLE SAFELY. THE CONTRACTOR SHALL INSTALL THE WET WELL (AND VALVE VAULT AND METERING VAULT IF APPLICABLE). ROMTEC UTILITIES WILL PROVIDE A REPRESENTATIVE FOR TECHNICAL ASSISTANCE ON THE DAY OF INSTALLATION TO ANSWER ANY QUESTIONS THAT MAY ARISE. THE CONTRACTOR IS RESPONSIBLE FOR ALL PLUMBING AND ELECTRICAL CONNECTIONS AND INSTALLATION. ITEMS NOTED AS "BY OTHERS" WILL BE PROVIDED AND INSTALLED BY THE CONTRACTOR. ROMTEC UTILITIES WILL NOT INSTALL ANY OF THE COMPONENTS SHOWN ON THIS PAGE.

© 2017 ROMTEC INC. ALL RIGHTS RESERVED. THESE PLANS AND DRAWINGS MAY NOT BE REPRODUCED, ADAPTED, OR FURTHER DISTRIBUTED, AND NO COMPONENTS MAY BE CONSTRUCTED FROM THESE PLANS, WITHOUT WRITTEN PERMISSION OF ROMTEC, INC.

NOTE: ALL DIMENSIONS AND ELEVATIONS SHOWN ARE NOMINAL DIMENSIONS. IT IS THE RESPONSIBILITY OF THE ON-SITE CONTRACTOR OR ROMTEC UTILITIES CUSTOMER (NOT ROMTEC UTILITIES) TO VERIFY THE ACCURACY OF ANY CRITICAL DIMENSIONS OR ELEVATIONS PRIOR TO SETTING OR INSTALLING ANY EQUIPMENT.

REV	DESCRIPTION	DATE	APPROV
3.1	SHOW REAR SUMP FILLED IN / AS BUILT	11/22/2017	KB
3	PIPE STAND ARRANGEMENT / AS BUILT	10/4/2017	KB
2	ELEVATIONS UPDATE, MINOR NOTE EDITS	3-3-17	KB
1	3-PIECE, ELEVATIONS, OFFSET	2-9-17	KB
	REVISION HISTORY		

VERIFY SCALE  
BASE IS ONE INCH ON ORIGINAL DRAWING  
IF NOT ONE INCH ON SCALES ACCORDINGLY  
0 1"

DATE - 1-25-17

DRW - KEVIN BOGAN  
CKD -  
DATE - 1-25-17

COMPONENT DRAWING

**ROMTEC UTILITIES**  
18240 NORTH BANK ROAD  
ROSEBURG, OREGON 97470  
(541) 496-9678  
FAX (541) 496-0804

RUNWAY 3-21  
VALVE VAULT ASSEMBLY