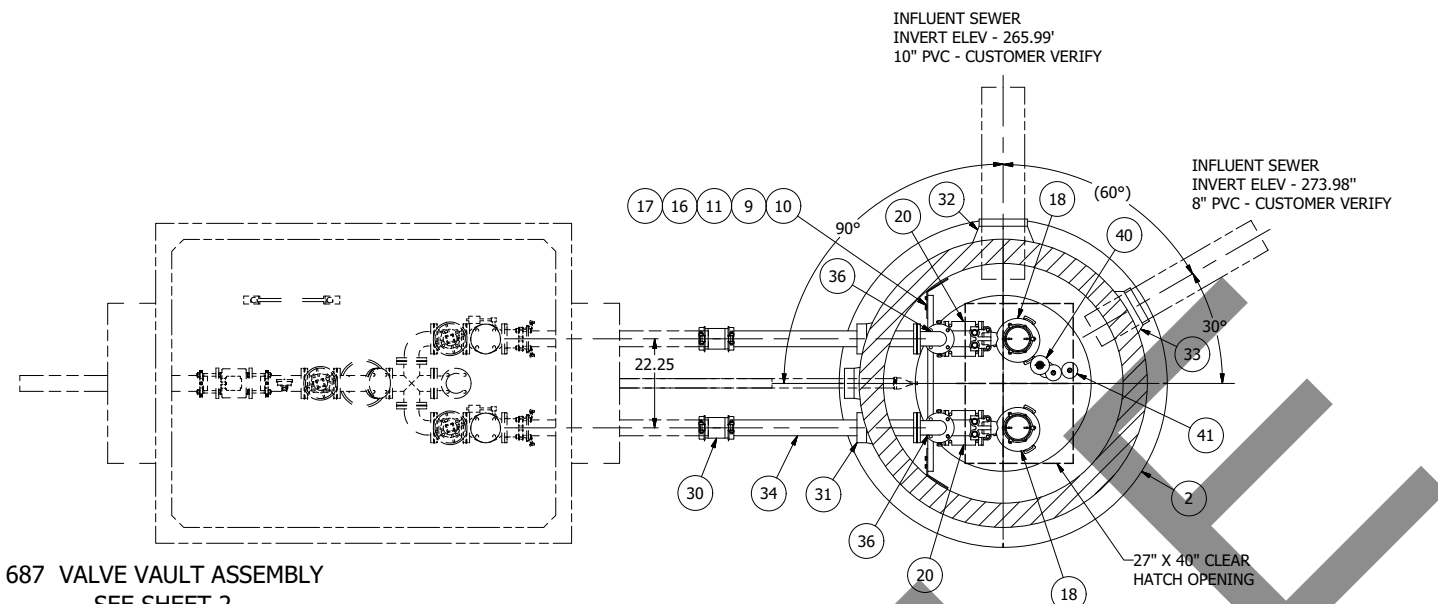
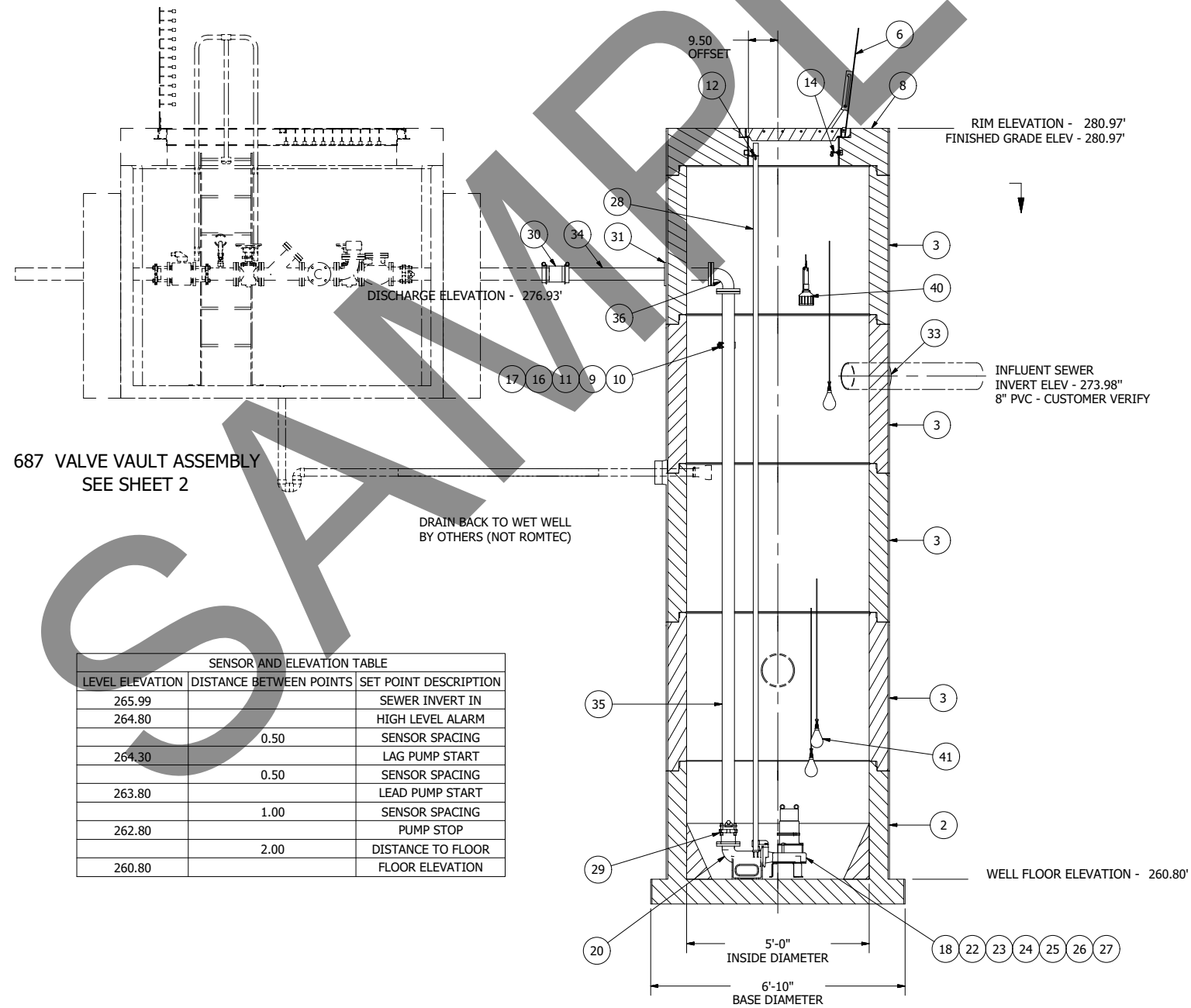


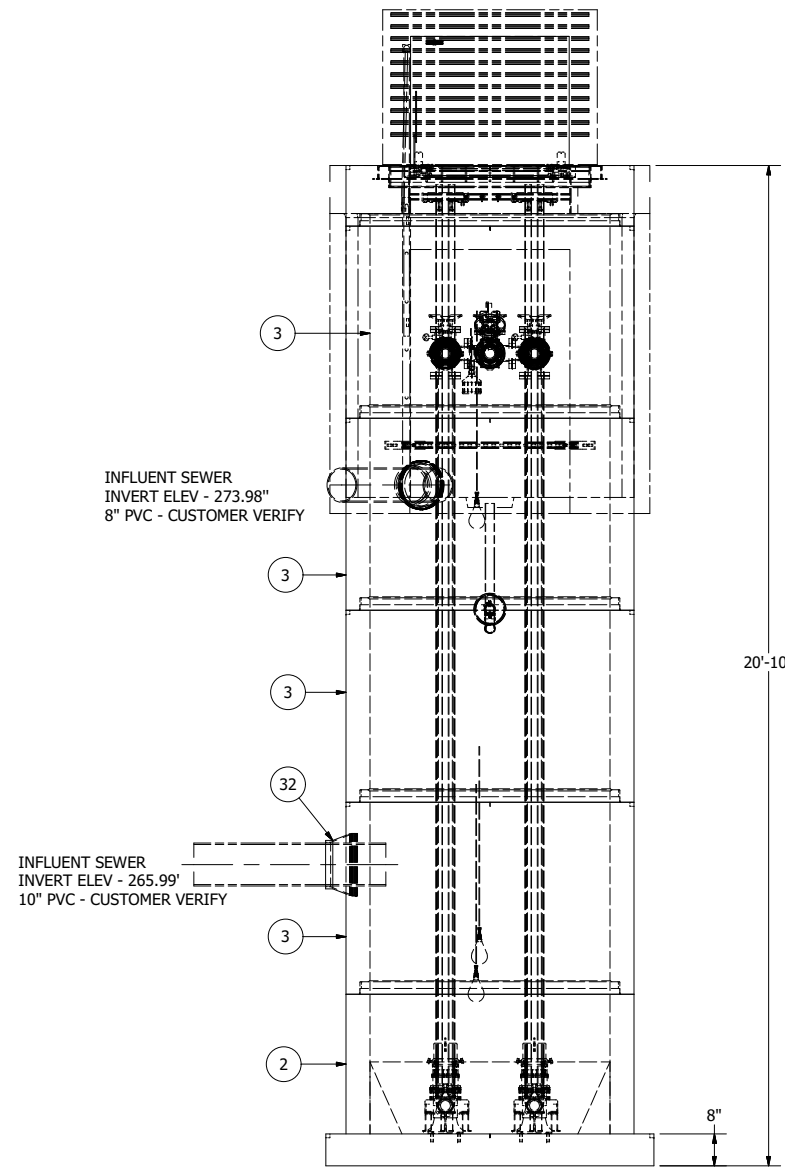
687 VALVE VAULT ASSEMBLY  
SEE SHEET 2



NOTE: WET WELL TOP SLAB IS H-20 OCCASIONAL TRAFFIC RATED



687 VALVE VAULT ASSEMBLY  
SEE SHEET 2



© 2010 ROMTEC INC. ALL RIGHTS RESERVED. THESE PLANS AND DRAWINGS MAY NOT BE REPRODUCED, ADAPTED, OR FURTHER DISTRIBUTED, AND NO COMPONENTS MAY BE CONSTRUCTED FROM THESE PLANS, WITHOUT WRITTEN PERMISSION OF ROMTEC, INC.

SENSOR AND ELEVATION TABLE		
LEVEL ELEVATION	DISTANCE BETWEEN POINTS	SET POINT DESCRIPTION
265.99		SEWER INVERT IN
264.80		HIGH LEVEL ALARM
	0.50	SENSOR SPACING
264.30		LAG PUMP START
	0.50	SENSOR SPACING
263.80		LEAD PUMP START
	1.00	SENSOR SPACING
262.80		PUMP STOP
	2.00	DISTANCE TO FLOOR
260.80		FLOOR ELEVATION

NOTE: ALL DIMENSIONS AND ELEVATIONS SHOWN ARE NOMINAL DIMENSIONS. IT IS THE RESPONSIBILITY OF THE ON-SITE CONTRACTOR OR ROMTEC UTILITIES CUSTOMER (NOT ROMTEC UTILITIES) TO VERIFY THE ACCURACY OF ANY CRITICAL DIMENSIONS OR ELEVATIONS PRIOR TO SETTING OR INSTALLING ANY EQUIPMENT.

**5' DIAMETER WET WELL  
3" DISCHARGE PIPING  
TSURUMI PUMPS  
3" - 687 VALVE VAULT**

ALL MATERIALS SHOWN ON THIS SHEET WILL BE SUPPLIED BY ROMTEC UTILITIES AND DELIVERED TO THE SITE AFTER THE HOLE HAS BEEN EXCAVATED AND SHORED. THE CONTRACTOR SHALL SUPPLY A CRANE OF SUFFICIENT SIZE TO LOWER ALL THE CONCRETE PIECES INTO THE HOLE SAFELY. THE CONTRACTOR SHALL INSTALL THE WET WELL (AND VALVE VAULT AND METERING VAULT IF APPLICABLE). ROMTEC UTILITIES WILL PROVIDE A REPRESENTATIVE FOR TECHNICAL ASSISTANCE ON THE DAY OF INSTALLATION TO ANSWER ANY QUESTIONS THAT MAY ARISE. THE CONTRACTOR IS RESPONSIBLE FOR ALL PLUMBING AND ELECTRICAL CONNECTIONS AND INSTALLATION. ITEMS NOTED AS "BY OTHERS" WILL BE PROVIDED AND INSTALLED BY THE CONTRACTOR. ROMTEC UTILITIES WILL NOT INSTALL ANY OF THE COMPONENTS SHOWN ON THIS PAGE.

**ROMTEC UTILITIES**  
18240 NORTH BANK ROAD  
ROSEBURG, OREGON 97470  
(541) 496-9678  
FAX (541) 496-0804

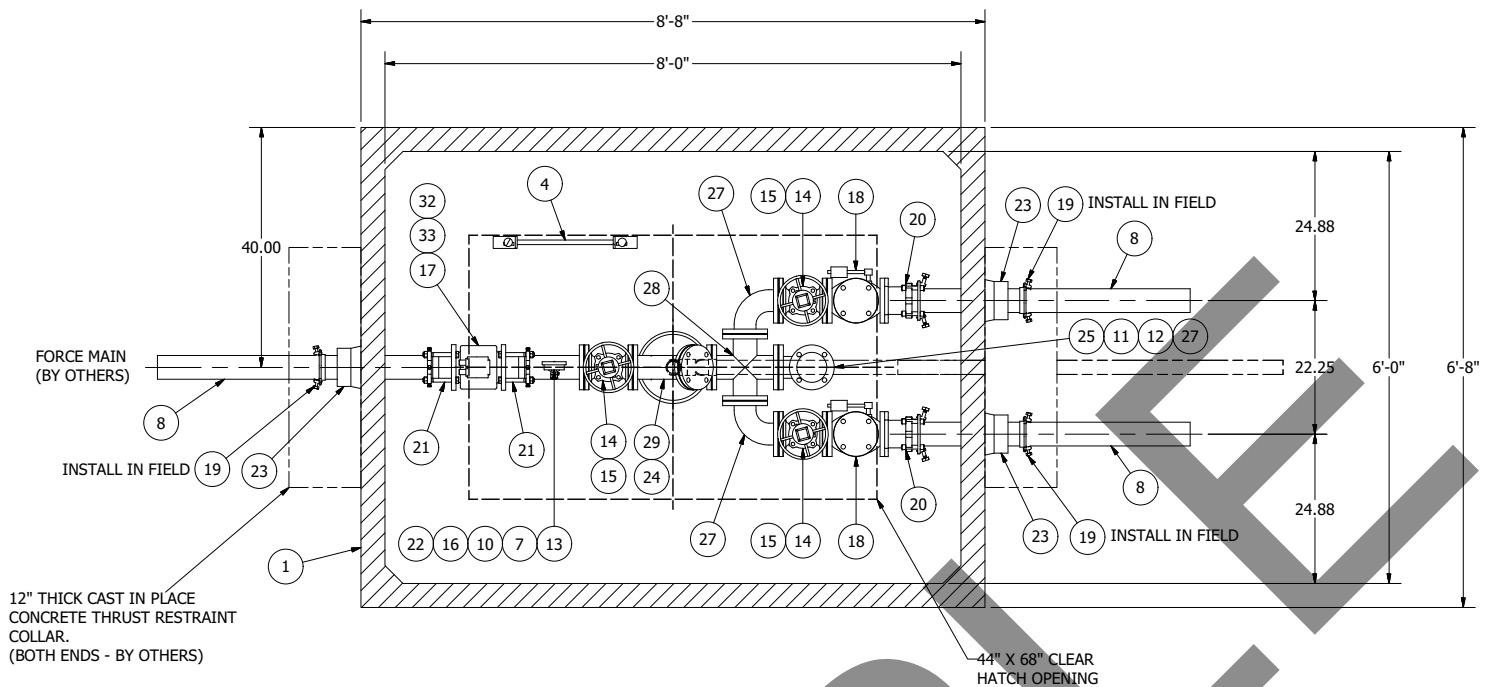
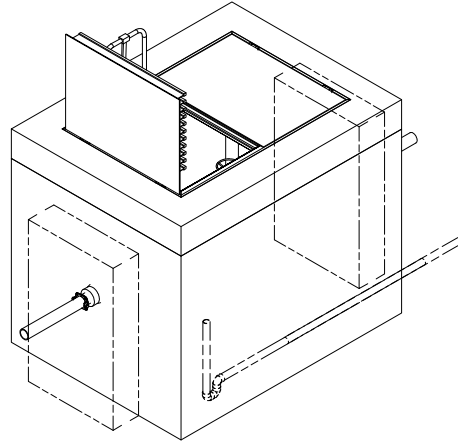
OLSON ENGINEERING  
JEFF WHITMAN

**PRAIRIE HIGH SCHOOL  
3" - 5' DIA WET WELL**

VERIFY SCALE BAR IS ONE INCH ON ORIGINAL DRAWING	1"
0 IF NOT ONE INCH ON THIS SHEET, ADJUST SIZES PROPORTIONALLY	
DSN - AM	7/28/10
DRN - AM	07/22/10
CKD - REV	DATE
DATE - 07/22/10	REVISION HISTORY

SHEET  
**1 OF 2**

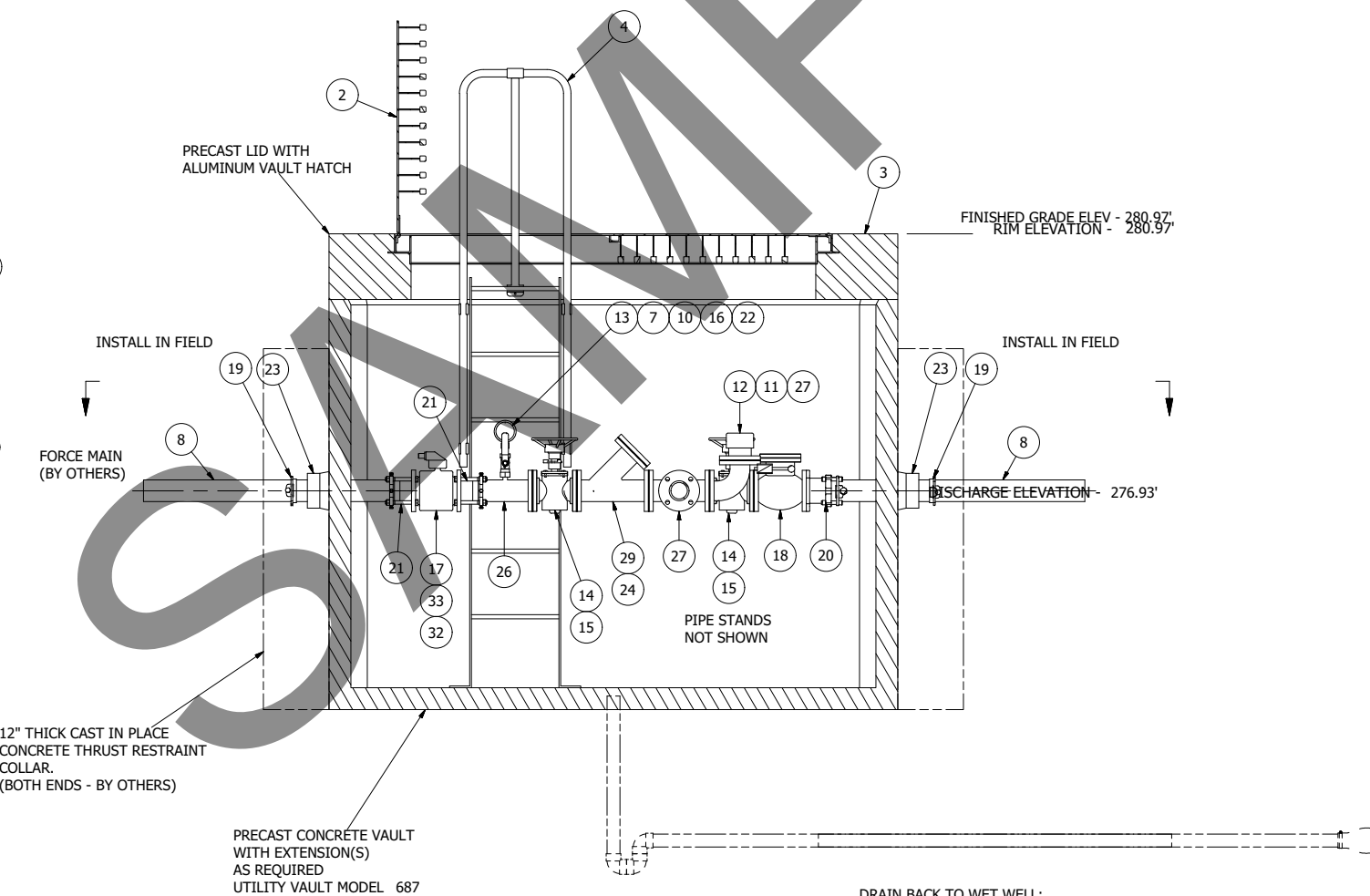
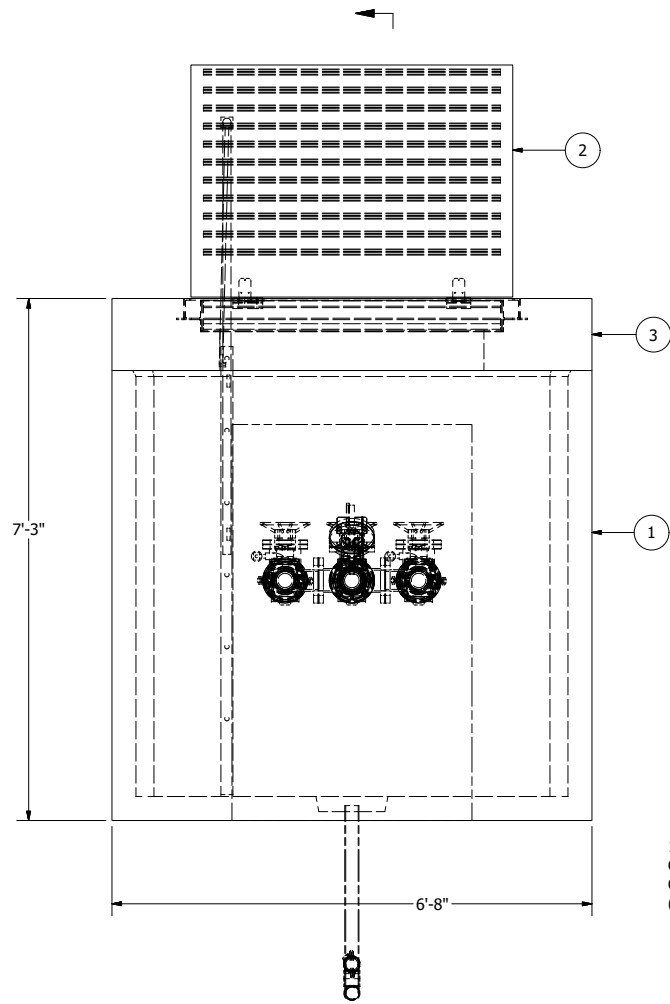
JOB NUMBER  
**RMTC  
0000**



12" THICK CAST IN PLACE  
CONCRETE THRUST RESTRAINT  
COLLAR.  
(BOTH ENDS - BY OTHERS)

44" X 68" CLEAR  
HATCH OPENING

**NOTE: VAULT TOP SLAB IS H-20 OCCASIONAL RATED**



12" THICK CAST IN PLACE  
CONCRETE THRUST RESTRAINT  
COLLAR.  
(BOTH ENDS - BY OTHERS)

PRECAST CONCRETE VAULT  
WITH EXTENSION(S)  
AS REQUIRED  
UTILITY VAULT MODEL 687

DRAIN BACK TO WET WELL:  
3" PLAIN HOLE IN VAULT  
(PROVIDED)  
2" PEE TRAP ON VAULT END  
WITH CHECK VALVE AT END OF  
PIPE IN WET WELL.  
(BY OTHERS) NOT ROMTEC UTILITIES

FLAP VALVE PROVIDED AND  
INSTALLED BY THE CONTRACTOR.  
(NOT ROMTEC UTILITIES)

NOTE: ALL DIMENSIONS AND ELEVATIONS SHOWN  
ARE NOMINAL DIMENSIONS. IT IS THE RESPONSIBILITY  
OF THE ON-SITE CONTRACTOR OR ROMTEC UTILITIES  
CUSTOMER (NOT ROMTEC UTILITIES) TO VERIFY THE  
ACCURACY OF ANY CRITICAL DIMENSIONS OR ELEVATIONS  
PRIOR TO SETTING OR INSTALLING ANY EQUIPMENT.

**687 VALVE VAULT  
3" PIPING AND VALVES  
PUMPING PORT & FLOW METER**

© 2010 ROMTEC INC. ALL RIGHTS RESERVED. THESE  
PLANS AND DRAWINGS MAY NOT BE REPRODUCED,  
ADAPTED, OR FURTHER DISTRIBUTED, AND NO  
COMPONENTS MAY BE CONSTRUCTED FROM THESE  
PLANS, WITHOUT WRITTEN PERMISSION OF ROMTEC, INC.

VERIFY SCALE BAR IS ONE INCH ON ORIGINAL DRAWING	1"
0 IF NOT ONE INCH ON THIS SHEET, ADJUST SCALE ACCORDINGLY	
DSN - AM	7/28/10
DRN - AM	07/22/10
CKD -	
DATE - 07/22/10	
REV	REVISION HISTORY
2	UPDATED PER PRODUCTION LAUNCH
1	COMPONENT DRAWING
	DESCRIPTION
	DATE
	APPROV
	AD

**COMPONENT  
DRAWING**

**ROMTEC  
UTILITIES**  
18240 NORTH BANK ROAD  
ROSEBURG, OREGON 97470  
(541) 496-9678  
FAX (541) 496-0804

OLSON ENGINEERING  
JEFF WHITMAN  
**PRAIRIE HIGH SCHOOL  
3" - 687 VALVE VAULT**

SHEET  
**2 OF 2**

JOB NUMBER  
**RMTC  
0000**