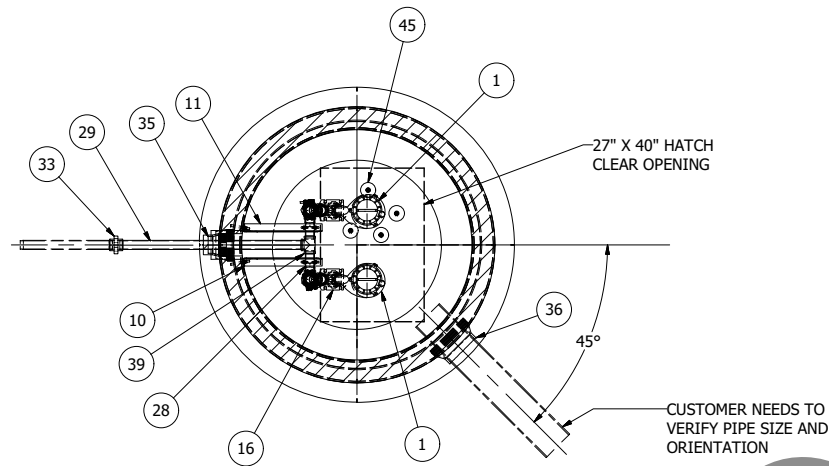
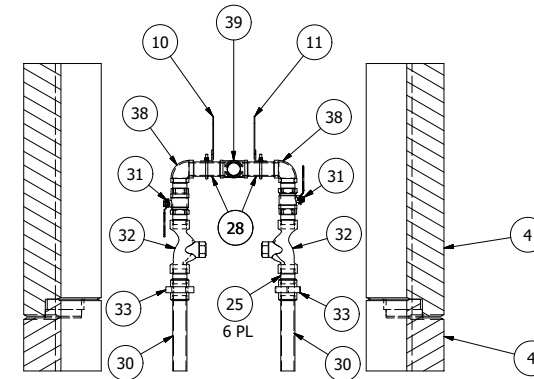
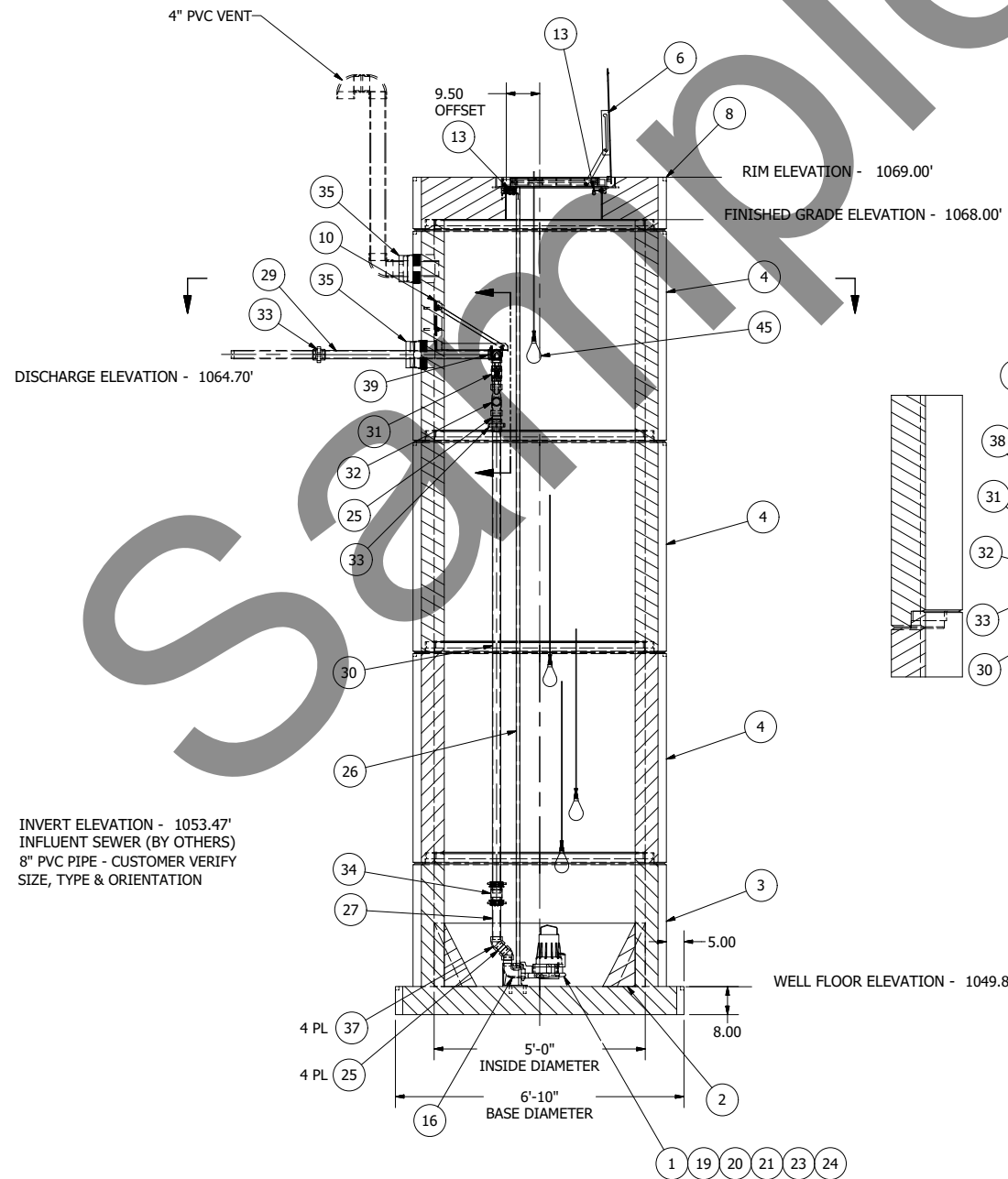
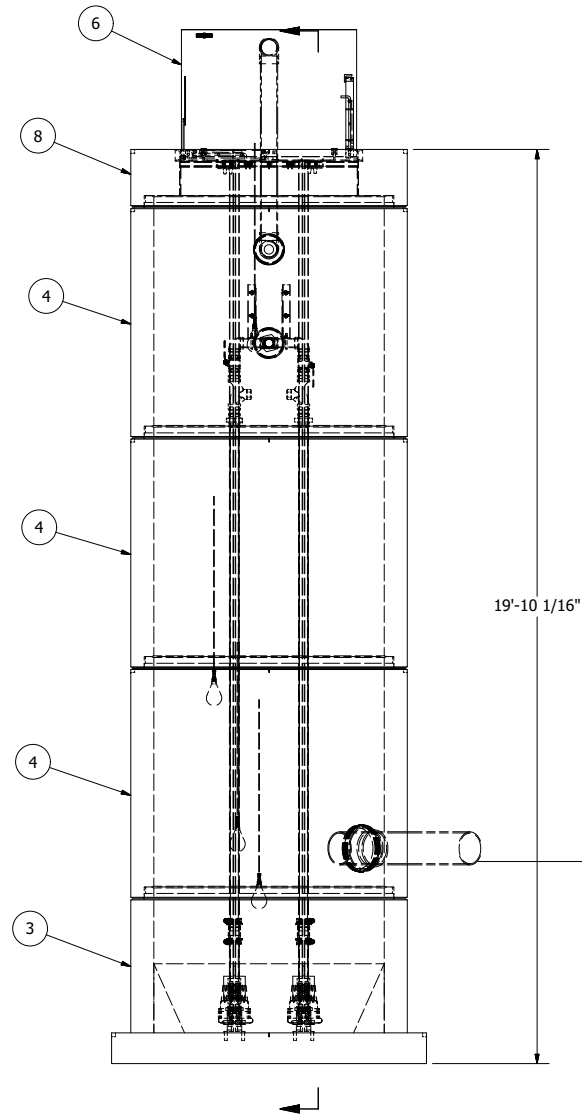


SENSOR AND ELEVATION TABLE		
LEVEL ELEVATION	DISTANCE BETWEEN POINTS	SET POINT DESCRIPTION
1053.47		SEWER INVERT IN
1052.33		HIGH LEVEL ALARM
	.050	SENSOR SPACING
1051.83		LAG PUMP START
	.050	SENSOR SPACING
1051.33		LEAD PUMP START
	0.50	SENSOR SPACING
1050.83		PUMP STOP
	1.00	DISTANCE TO FLOOR
1049.83		FLOOR ELEVATION



**NOTE: WET WELL TOP SLAB IS PEDESTRIAN RATED**



**5' DIAMETER WET WELL  
2" DISCHARGE PIPING  
MP3085 FLYGT PUMPS**

ALL MATERIALS SHOWN ON THIS SHEET WILL BE SUPPLIED BY ROMTEC UTILITIES AND DELIVERED TO THE SITE AFTER THE HOLE HAS BEEN EXCAVATED AND SHORED. THE CONTRACTOR SHALL SUPPLY A CRANE OF SUFFICIENT SIZE TO LOWER ALL THE CONCRETE PIECES INTO THE HOLE SAFELY. THE CONTRACTOR SHALL INSTALL THE WET WELL (AND VALVE VAULT AND METERING VAULT IF APPLICABLE). ROMTEC UTILITIES WILL PROVIDE A REPRESENTATIVE FOR TECHNICAL ASSISTANCE ON THE DAY OF INSTALLATION TO ANSWER ANY QUESTIONS THAT MAY ARISE. THE CONTRACTOR IS RESPONSIBLE FOR ALL PLUMBING AND ELECTRICAL CONNECTIONS AND INSTALLATION. ITEMS NOTED AS "BY OTHERS" WILL BE PROVIDED AND INSTALLED BY THE CONTRACTOR. ROMTEC UTILITIES WILL NOT INSTALL ANY OF THE COMPONENTS SHOWN ON THIS PAGE.

© 2008 ROMTEC INC. ALL RIGHTS RESERVED. THESE PLANS AND DRAWINGS MAY NOT BE REPRODUCED, ADAPTED, OR FURTHER DISTRIBUTED, AND NO COMPONENTS MAY BE CONSTRUCTED FROM THESE PLANS, WITHOUT WRITTEN PERMISSION OF ROMTEC, INC.

REV	DESCRIPTION	DATE	BY
6	REMOVED CONEAL	10/8/09	AD
5	LOWERED INLET 4" PER CUSTOMER	09/09/09	AD
4	UPDATED INLET ORIENTATION PER SITE PLAN	09/03/09	AD
3	CORRECTED INLET ORIENTATION PER CUST DWG	09/01/09	AM
2	CORRECTED INLET ORIENTATION PER CUST DWG	08/31/09	AM
1	COMPONENT DRAWING	01/05/09	AM

**COMPONENT DRAWING**  
DRAWING  
19-1535

**ROMTEC UTILITIES**  
18240 NORTH BANK ROAD  
ROSEBURG, OREGON 97470  
(541) 496-9678  
FAX (541) 496-0804

US ARMY CORP OF ENG  
JARED MEVMAW  
**PRIME POWER GRINDER**  
**2" - 5' WET WELL**

SHEET  
**1 OF 1**  
JOB NUMBER  
**RMTC 0000**