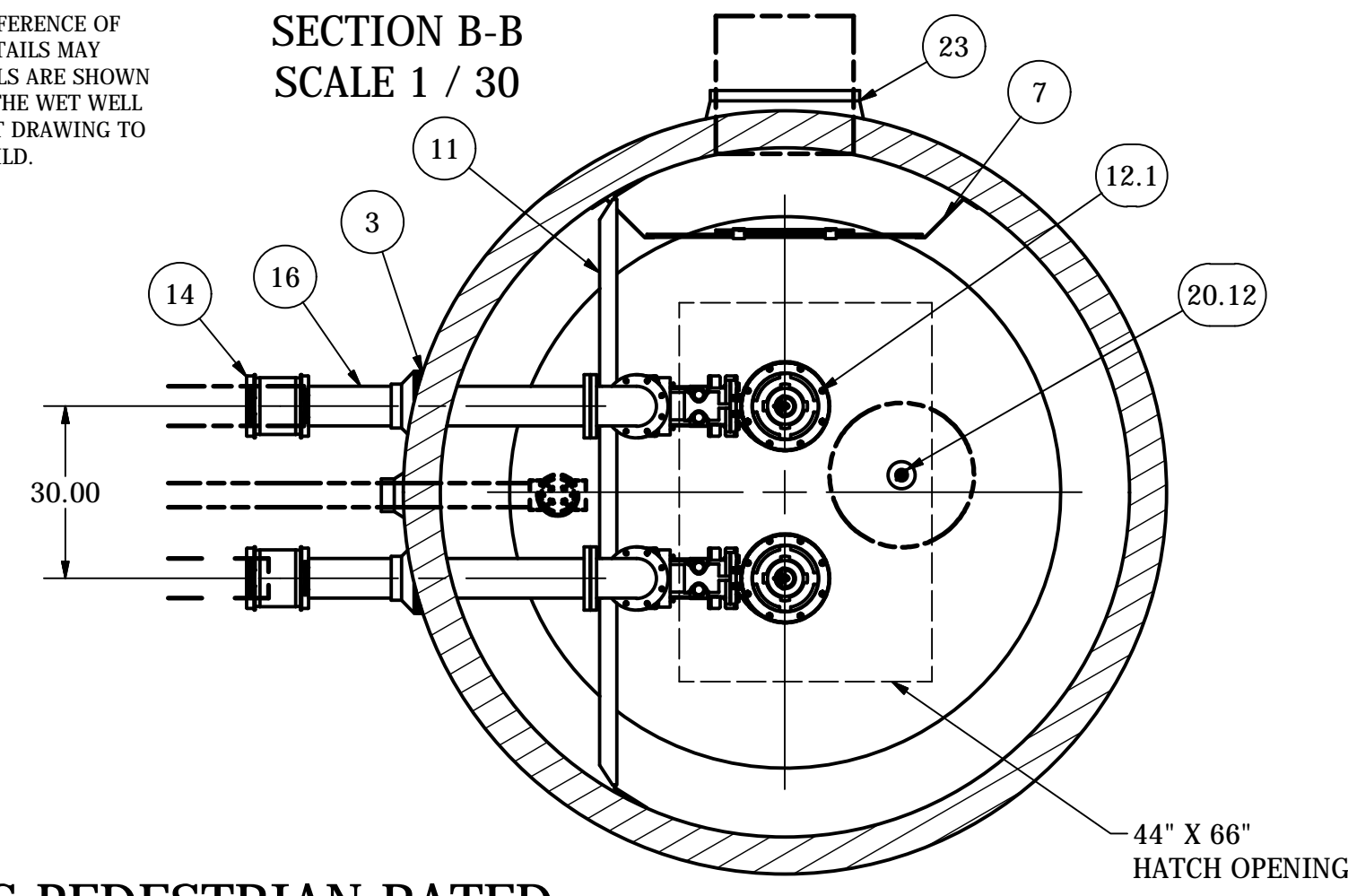
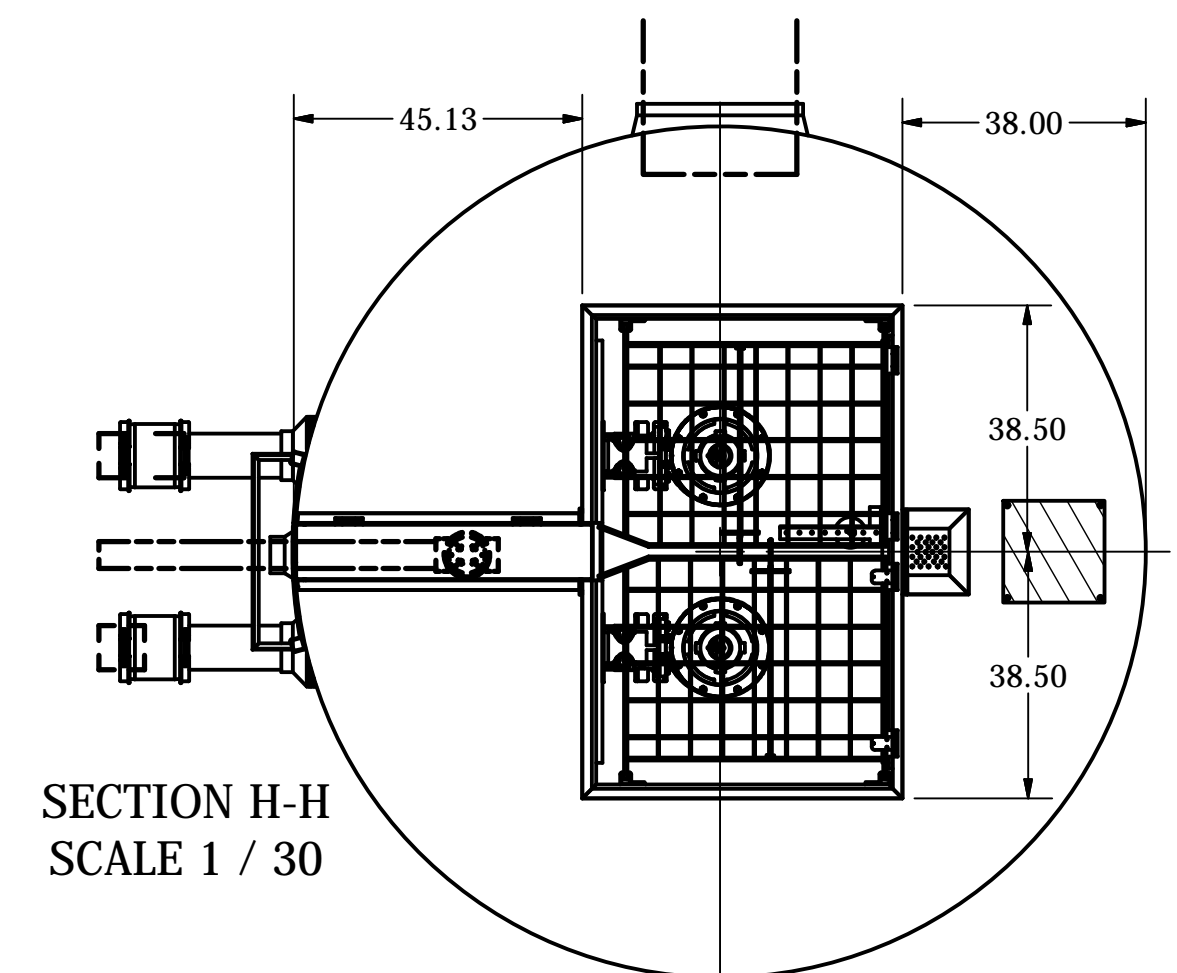
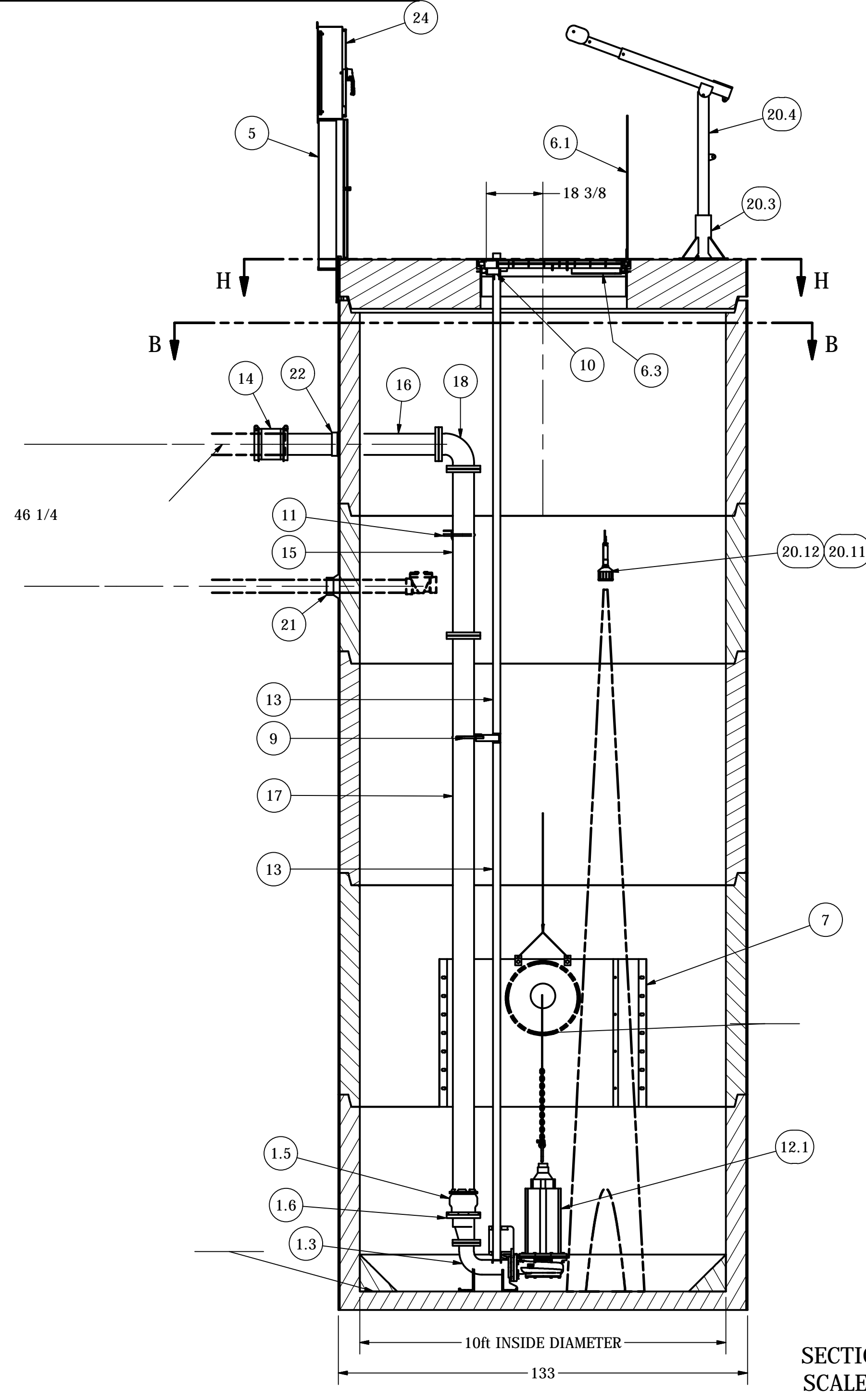
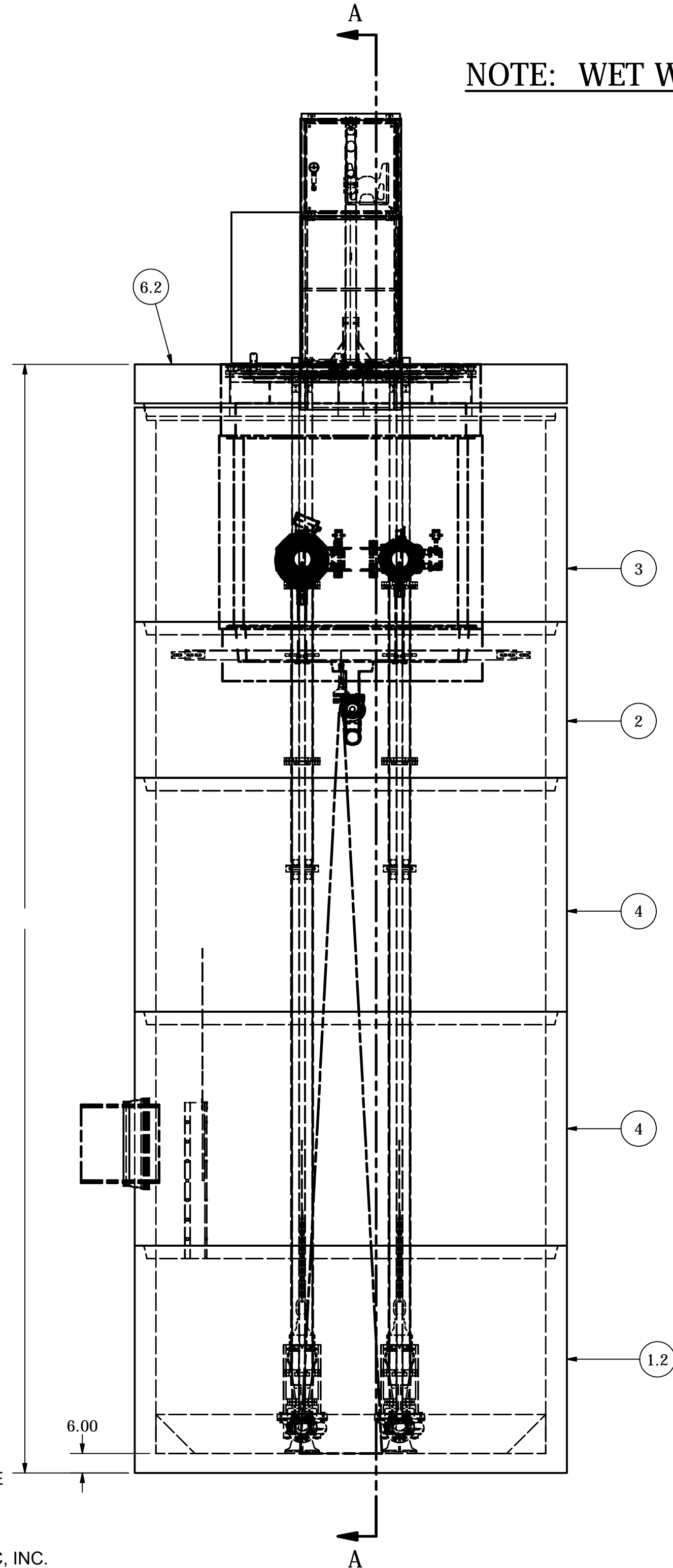


SENSOR AND ELEVATION TABLE		
LEVEL ELEVATION	DISTANCE BETWEEN POINTS	SET POINT DESCRIPTION
		INVERT IN
N/A		BACK UP PUMPS START
	N/A	SENSOR SPACING
N/A		BACK UP PUMPS STOP
	N/A	SENSOR SPACING
N/A		BACK UP HL ALARM
		HIGH LEVEL ALARM
	0.25	SENSOR SPACING
		LAG PUMP START
	0.50	SENSOR SPACING
		LEAD PUMP START
	2.25	SENSOR SPACING
		PUMP STOP
	2.00	DISTANCE TO FLOOR
		FLOOR ELEVATION

THIS DRAWING REPRESENTS A PRELIMINARY LAYOUT AND REFERENCE OF THE CONCRETE DETAIL. THE BARREL HEIGHTS AND JOINT DETAILS MAY CHANGE FOR PRODUCTION. THE COMPLETE CONCRETE DETAILS ARE SHOWN ON THE PRODUCTION DRAWINGS FROM THE PRE-CASTER IN THE WET WELL SECTION OF THE RU SSDS. RU WILL REVISE THIS COMPONENT DRAWING TO MATCH WHAT THE CONCRETE PRE-CASTER CAN ACTUALLY BUILD.



NOTE: WET WELL TOP SLAB IS PEDESTRIAN RATED



NOTE: ALL DIMENSIONS AND ELEVATIONS SHOWN ARE NOMINAL DIMENSIONS. IT IS THE RESPONSIBILITY OF THE ON-SITE CONTRACTOR OR ROMTEC UTILITIES CUSTOMER (NOT ROMTEC UTILITIES) TO VERIFY THE ACCURACY OF ANY CRITICAL DIMENSIONS OR ELEVATIONS PRIOR TO SETTING OR INSTALLING ANY EQUIPMENT.

NOTE:
CONDUIT TO CONTROL PANEL (BY OTHERS)
MINIMUM:
(2) FOR POWER
(1) FOR LEVEL SENSING

10'DIAMETER WET WELL
6" DISCHARGE PIPING
VAUGHAN PUMPS
6"/10" VALVE VAULT

ALL MATERIALS SHOWN ON THIS SHEET WILL BE SUPPLIED BY ROMTEC UTILITIES AND DELIVERED TO THE SITE AFTER THE HOLE HAS BEEN EXCAVATED AND SHORED. THE CONTRACTOR SHALL SUPPLY A CRANE OF SUFFICIENT SIZE TO LOWER ALL THE CONCRETE PIECES INTO THE HOLE SAFELY. THE CONTRACTOR SHALL INSTALL THE WET WELL (AND VALVE VAULT AND METERING VAULT IF APPLICABLE). ROMTEC UTILITIES WILL PROVIDE A REPRESENTATIVE FOR TECHNICAL ASSISTANCE ON THE DAY OF INSTALLATION TO ANSWER ANY QUESTIONS THAT MAY ARISE. THE CONTRACTOR IS RESPONSIBLE FOR ALL PLUMBING AND ELECTRICAL CONNECTIONS AND INSTALLATION. ITEMS NOTED AS "BY OTHERS" WILL BE PROVIDED AND INSTALLED BY THE CONTRACTOR. ROMTEC UTILITIES WILL NOT INSTALL ANY OF THE COMPONENTS SHOWN ON THIS PAGE.

© 2016 ROMTEC INC. ALL RIGHTS RESERVED. THESE PLANS AND DRAWINGS MAY NOT BE REPRODUCED, ADAPTED, OR FURTHER DISTRIBUTED, AND NO COMPONENTS MAY BE CONSTRUCTED FROM THESE PLANS, WITHOUT WRITTEN PERMISSION OF ROMTEC, INC.

REV	DESCRIPTION	DATE	APPROV
1	REVISED FOR PRODUCTION LAUNCH	5-9-17	AD

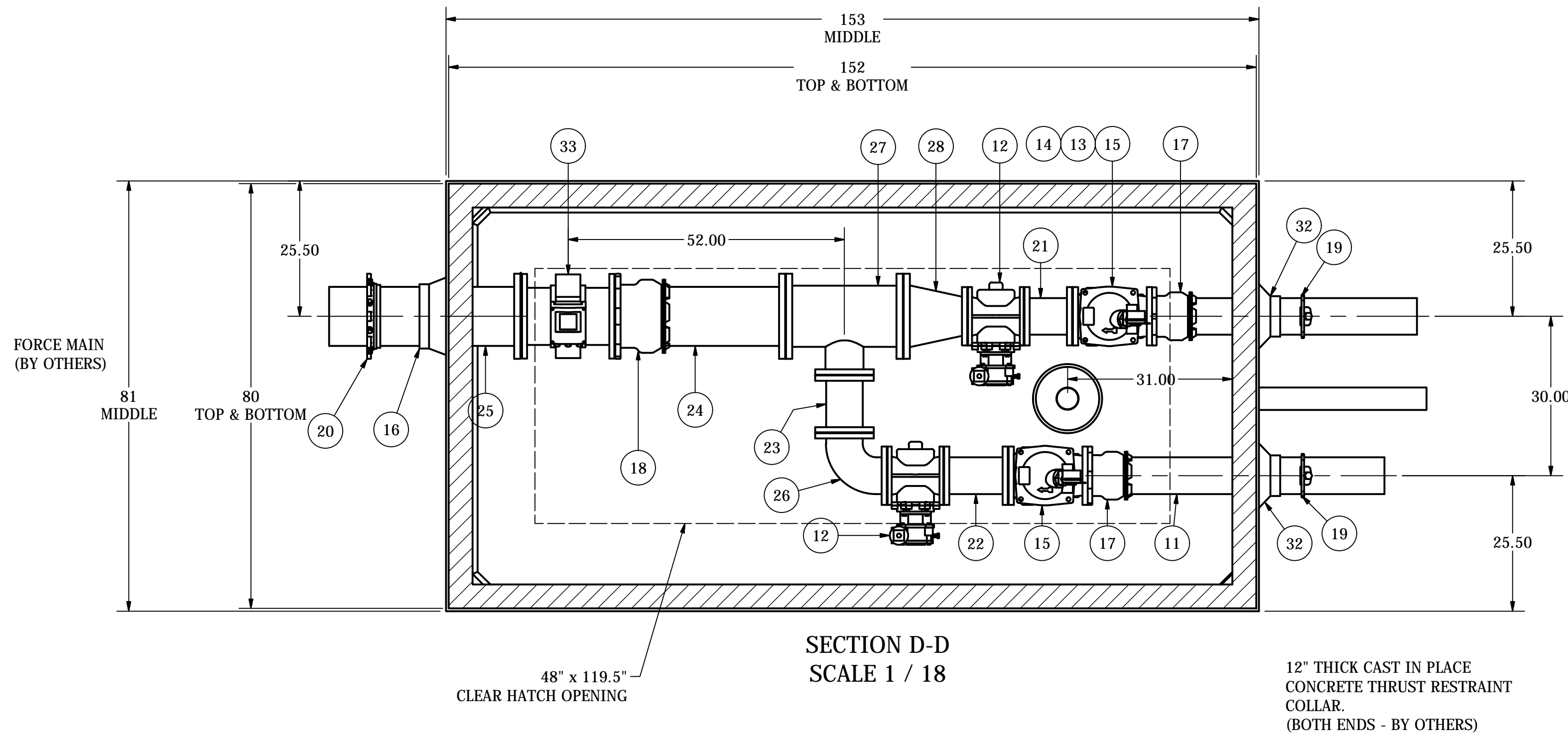
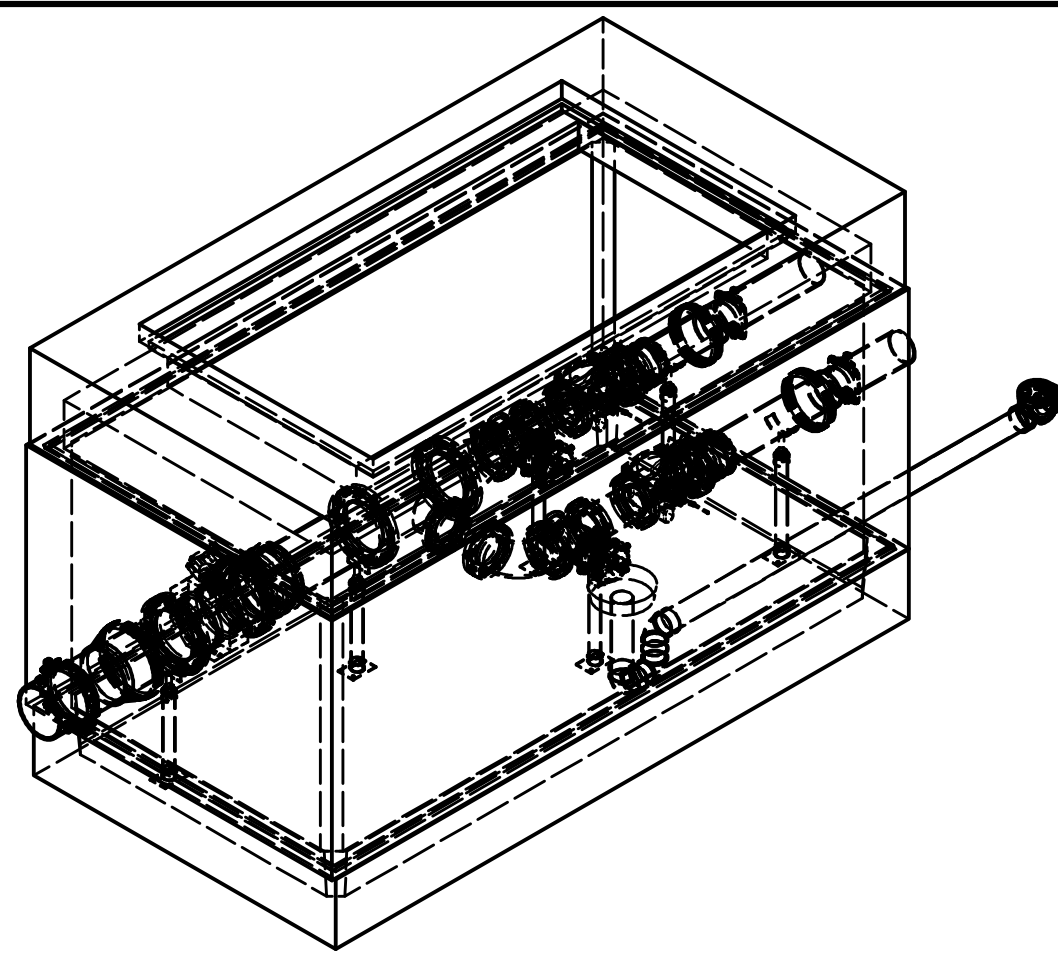
VERIFY SCALE	1"
BAR IS ONE INCH ON ORIGINAL DRAWING	
IF NOT ONE INCH ON SCALES ACCORDINGLY	
DSW - AD	
DRW - AD	
CKD - AD	
DATE - 3-3-17	

COMPONENT DRAWING

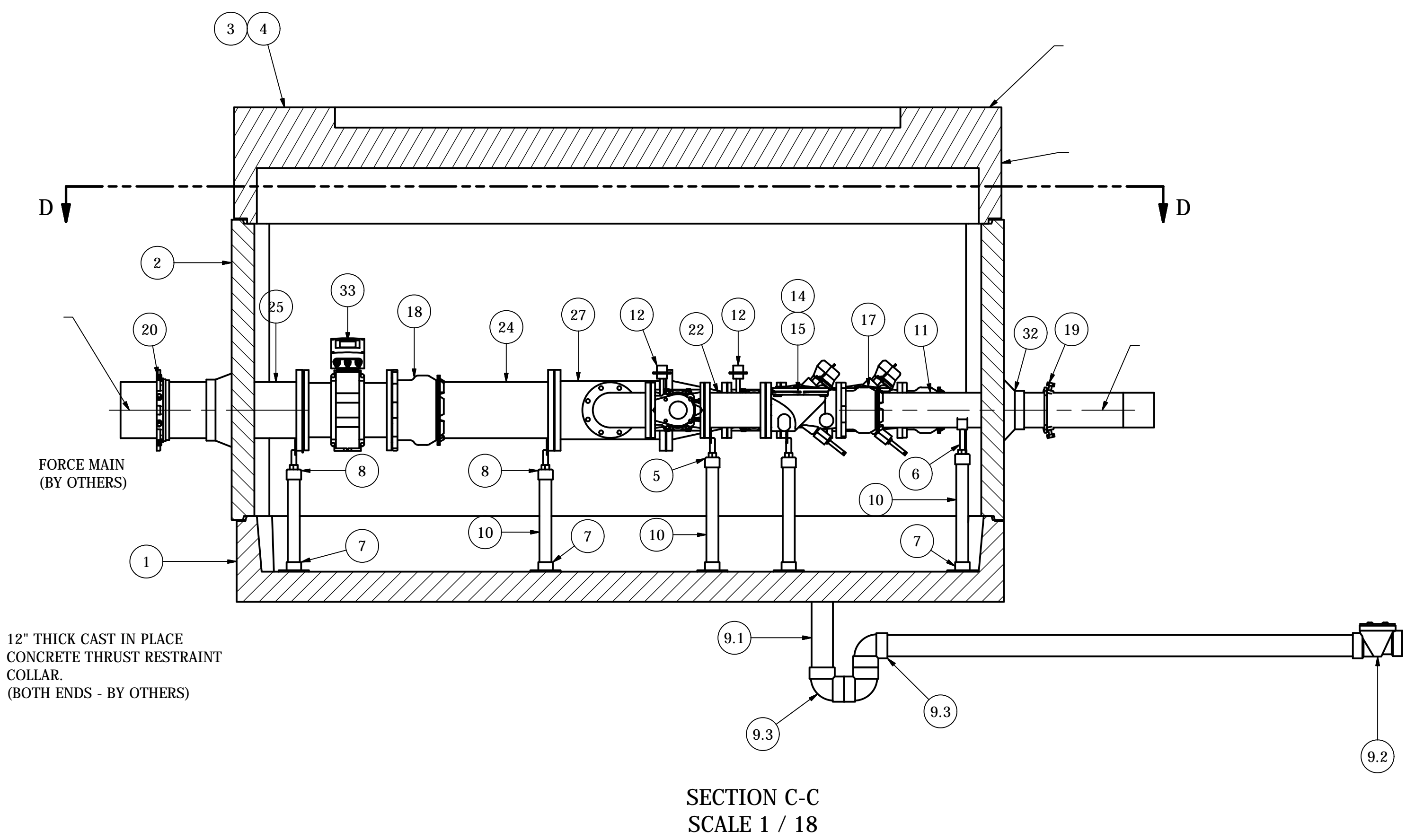
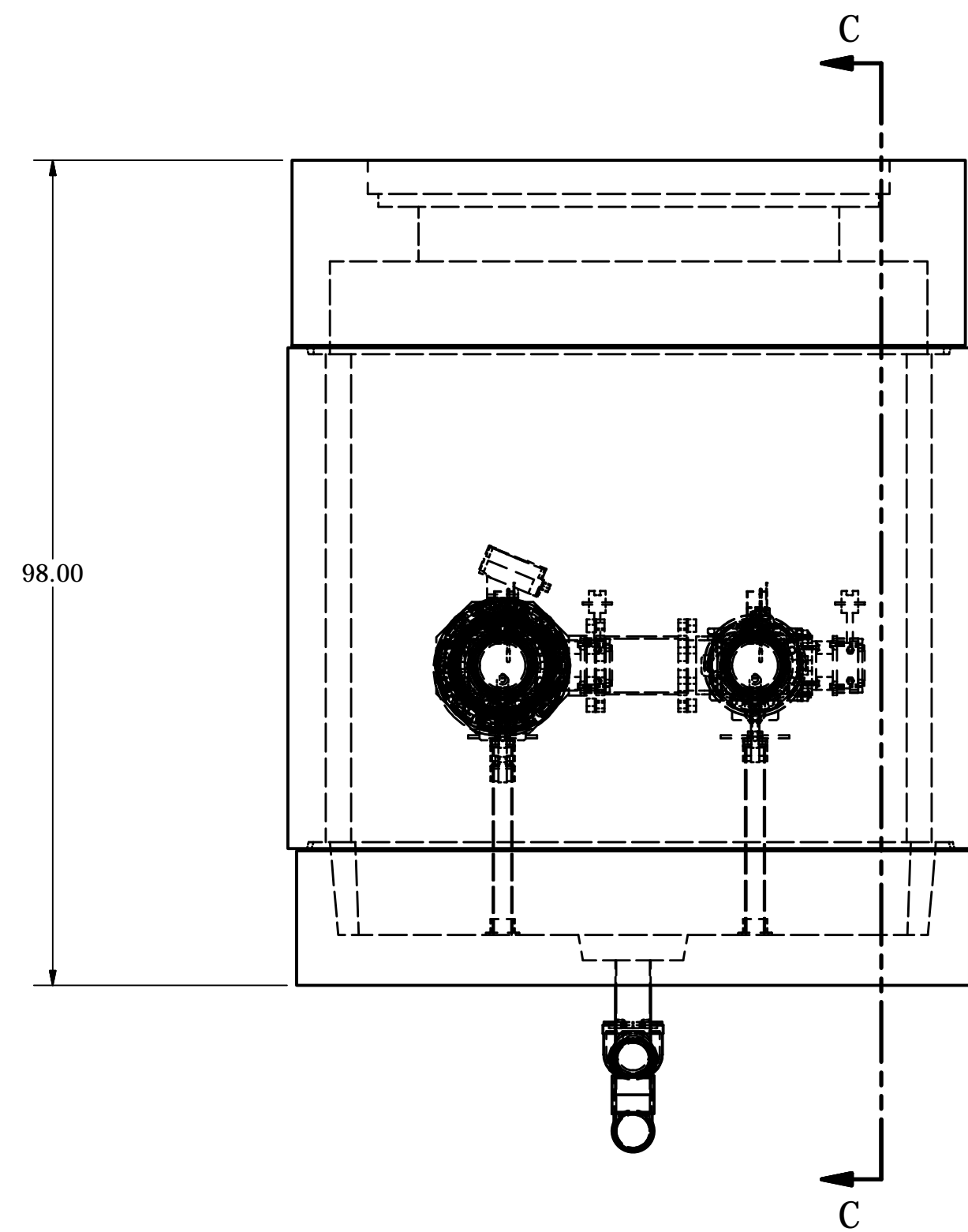
ROMTEC UTILITIES
18240 NORTH BANK ROAD
ROSEBURG, OREGON 97470
(541) 496-9678
FAX (541) 496-0804

PUMP STATION #2 - RELOCATION
10' WET WELL - 6" PIPING

SHEET
1 OF 2
JOB NUMBER
RMTC



NOTE: VAULT TOP SLAB IS PEDESTRIAN RATED



**6' X 12' VALVE VAULT
6" & 10" PIPING AND VALVES
WITH FLOWMETER**

VERIFY SCALE
BAR IS ONE INCH ON ORIGINAL DRAWING
IF NOT ONE INCH ON SCALES ACCORDINGLY

0 1" 0

DSW - AD
DRW - AD
CKD - AD
DATE - 3-3-17

REV 1
DESCRIPTION
REVISION HISTORY

REVISED FOR PRODUCTION LAUNCH
DATE APPROV AD

COMPONENT DRAWING

ROMTEC UTILITIES
18240 NORTH BANK ROAD
ROSEBURG, OREGON 97470
(541) 496-9678
FAX (541) 496-0804

**PUMP STATION #2 - RELOCATION
6" / 10" - VALVE VAULT**

SHEET
2 OF 2

JOB NUMBER
RMTC