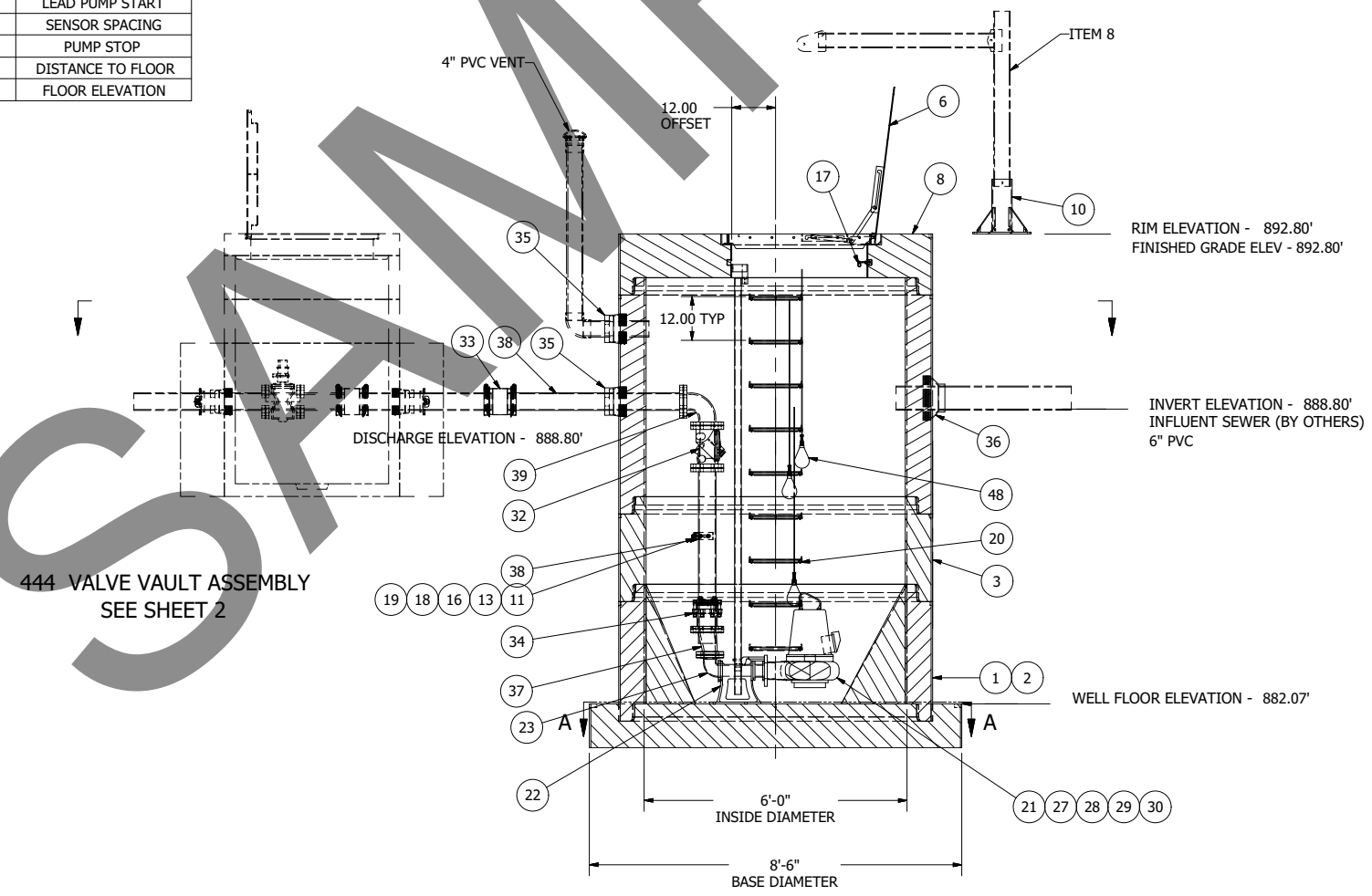
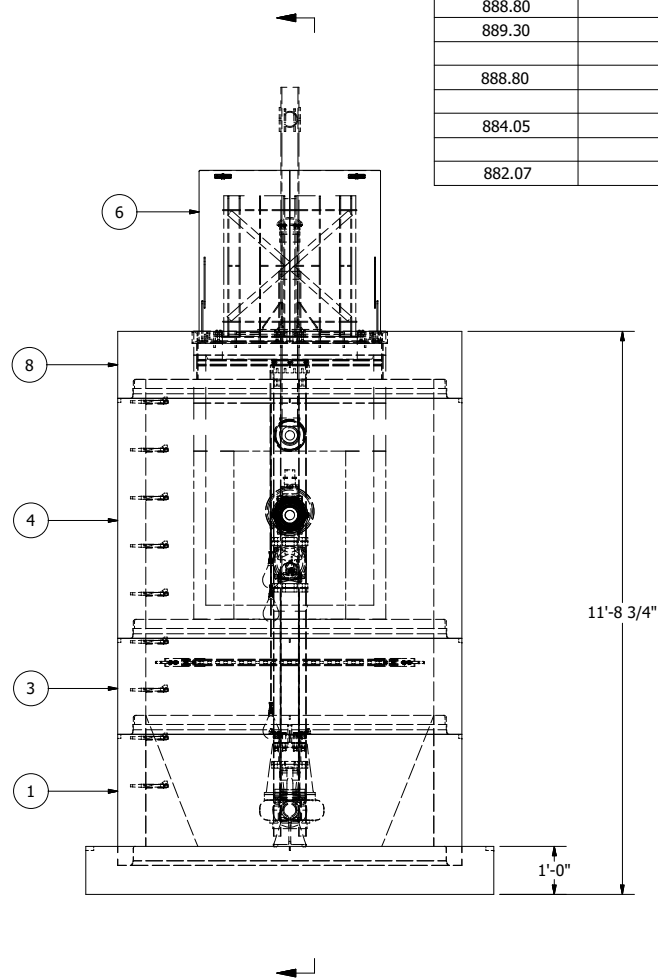


NOTE: WET WELL TOP SLAB IS H-20 OCCASIONAL TRAFFIC RATED

SENSOR AND ELEVATION TABLE		
LEVEL ELEVATION	DISTANCE BETWEEN POINTS	SET POINT DESCRIPTION
888.80		SEWER INVERT IN
889.30		HIGH LEVEL ALARM
	0.50	SENSOR SPACING
888.80		LEAD PUMP START
	4.75	SENSOR SPACING
884.05		PUMP STOP
	1.98	DISTANCE TO FLOOR
882.07		FLOOR ELEVATION



6" DIAMETER WET WELL
4" DISCHARGE PIPING
80DLCMFU611 EBARA PUMPS
4" - 444 VALVE VAULT

ALL MATERIALS SHOWN ON THIS SHEET WILL BE SUPPLIED BY ROMTEC UTILITIES AND DELIVERED TO THE SITE AFTER THE HOLE HAS BEEN EXCAVATED AND SHORED. THE CONTRACTOR SHALL SUPPLY A CRANE OF SUFFICIENT SIZE TO LOWER ALL THE CONCRETE PIECES INTO THE HOLE SAFELY. THE CONTRACTOR SHALL INSTALL THE WET WELL (AND VALVE VAULT AND METERING VAULT IF APPLICABLE). ROMTEC UTILITIES WILL PROVIDE A REPRESENTATIVE FOR TECHNICAL ASSISTANCE ON THE DAY OF INSTALLATION TO ANSWER ANY QUESTIONS THAT MAY ARISE. THE CONTRACTOR IS RESPONSIBLE FOR ALL PLUMBING AND ELECTRICAL CONNECTIONS AND INSTALLATION. ITEMS NOTED AS "BY OTHERS" WILL BE PROVIDED AND INSTALLED BY THE CONTRACTOR. ROMTEC UTILITIES WILL NOT INSTALL ANY OF THE COMPONENTS SHOWN ON THIS PAGE.

© 2010 ROMTEC INC. ALL RIGHTS RESERVED. THESE PLANS AND DRAWINGS MAY NOT BE REPRODUCED, ADAPTED, OR FURTHER DISTRIBUTED, AND NO COMPONENTS MAY BE CONSTRUCTED FROM THESE PLANS, WITHOUT WRITTEN PERMISSION OF ROMTEC, INC.

REV	DESCRIPTION	DATE	APPROV
5	CHANGED TO EBARA PUMPS	11-19-10	AD
4	CHANGED BASE TO MONOLITHIC STYLE	11-9-10	AD
3	UPDATE PER LAUNCH MTG NOTES	10/25/10	AM
2	CHANGES PER COMMENTS	10/20/10	AD
1	COMPONENT DRAWING	08/25/10	AM

VERIFY SCALE
BAR IS ONE INCH ON ORIGINAL DRAWING

1"
IF NOT ONE INCH ON THIS SHEET, ADJUST SIZES PROPORTIONALLY

0

DATE - 08/25/10

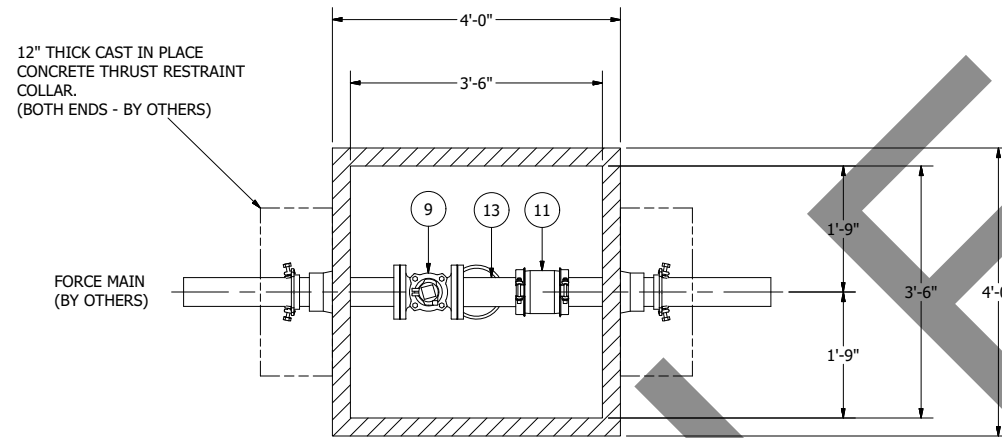
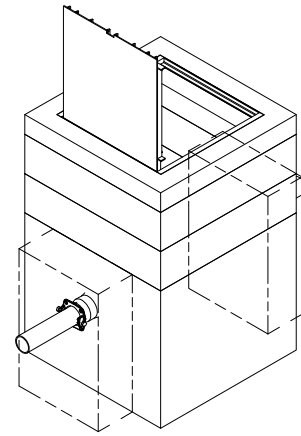
COMPONENT DRAWING

ROMTEC UTILITIES
18240 NORTH BANK ROAD
ROSEBURG, OREGON 97470
(541) 496-9678
FAX (541) 496-0804

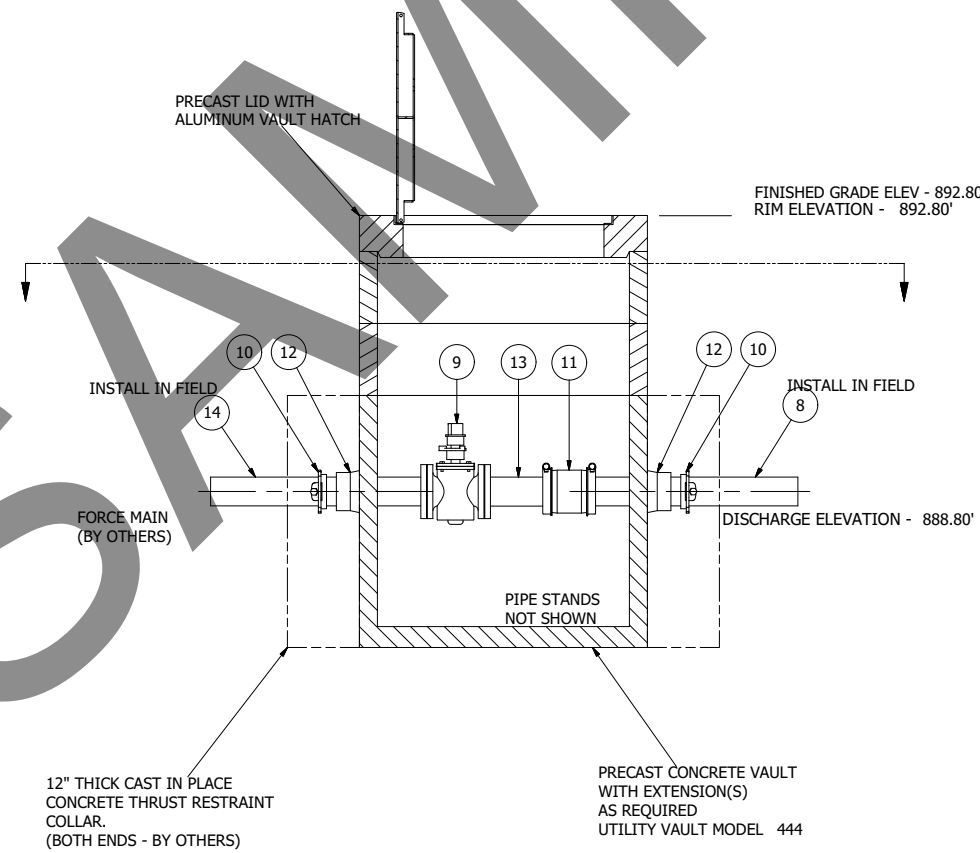
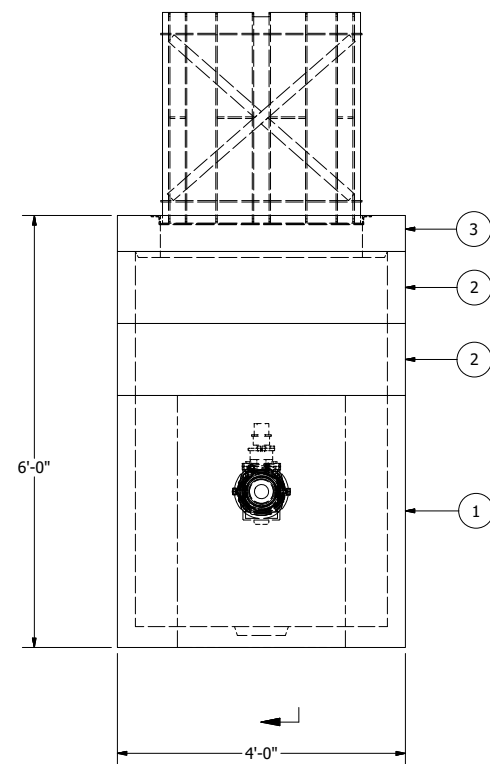
ROCKMART
4" - 6" DIA WET WELL

SHEET
1 OF 2

JOB NUMBER
RMTC
0000



NOTE: VAULT TOP SLAB IS H-20 OCCASIONAL RATED



444 VALVE VAULT
4" PIPING AND VALVES

NOTE: ALL DIMENSIONS AND ELEVATIONS SHOWN ARE NOMINAL DIMENSIONS. IT IS THE RESPONSIBILITY OF THE ON-SITE CONTRACTOR OR ROMTEC UTILITIES CUSTOMER (NOT ROMTEC UTILITIES) TO VERIFY THE ACCURACY OF ANY CRITICAL DIMENSIONS OR ELEVATIONS PRIOR TO SETTING OR INSTALLING ANY EQUIPMENT.

VERIFY SCALE
BAR IS ONE INCH ON ORIGINAL DRAWING
1"
0 IF NOT ONE INCH ON THIS SHEET, ADJUST SCALES ACCORDINGLY

DSN - AM
DRN - AM
CKD -
DATE - 08/25/10

COMPONENT DRAWING

ROMTEC UTILITIES
18240 NORTH BANK ROAD
ROSEBURG, OREGON 97470
(541) 496-9678
FAX (541) 496-0804

ROCKMART
4" - 444 VALVE VAULT

SHEET
2 OF 2

JOB NUMBER
RMTC
0000

CHANGES PER COMMENTS	DATE	APPROV
2	10/20/10	AD
1	08/25/10	AM
REV	DESCRIPTION	DATE

REVISION HISTORY