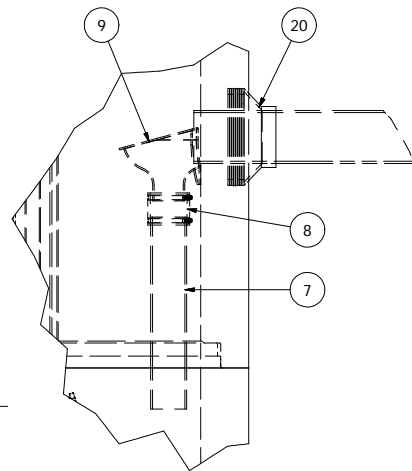


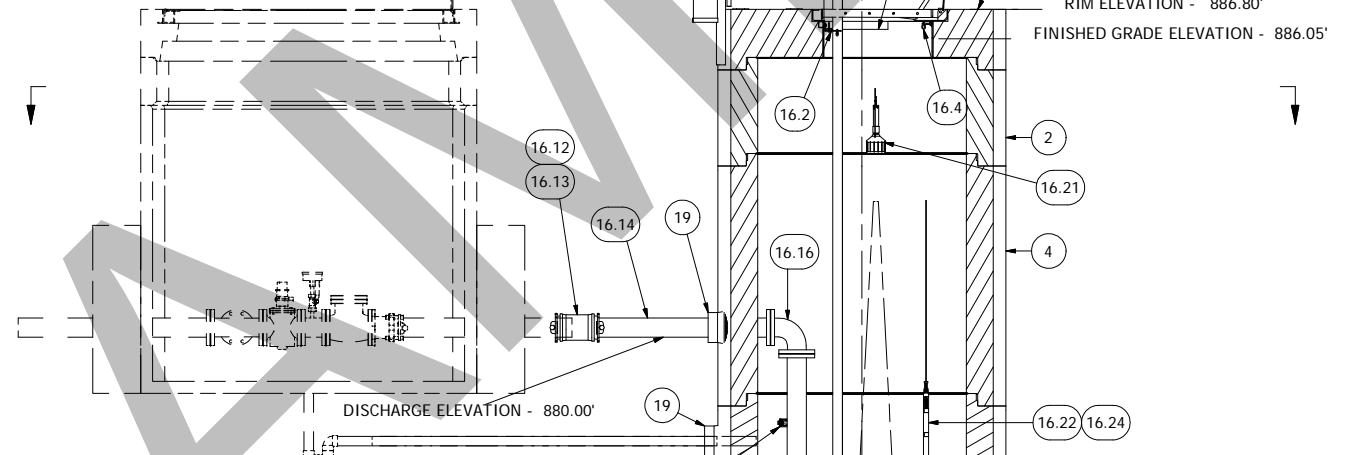
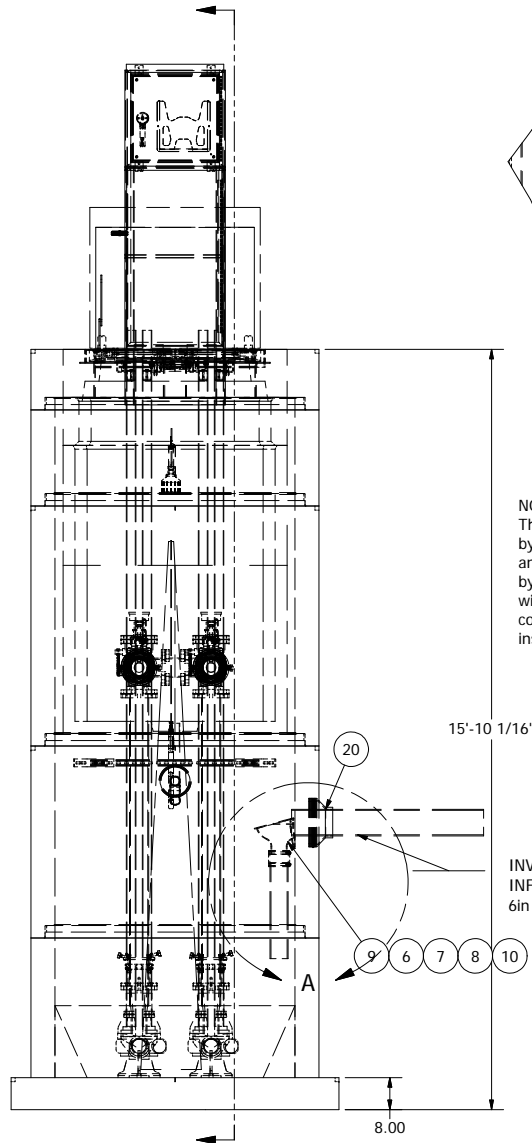
577 VALVE VAULT ASSEMBLY
SEE SHEET 2

NOTE: WET WELL TOP SLAB IS PEDESTRIAN RATED



DETAIL A
DROP BOWL DETAIL

NOTE:
The drop bowl will be pre-installed by Romtec Utilities. The drop pipe anchor bracket will be pre-installed by Romtec Utilities. The drop pipe will have to be installed by the contractor after the wet well is installed.



577 VALVE VAULT ASSEMBLY
SEE SHEET 2

SENSOR AND ELEVATION TABLE		
LEVEL ELEVATION	DISTANCE BETWEEN POINTS	SET POINT DESCRIPTION
876.69		SEWER INVERT IN
877.21		BACK UP PUMPS START
	1.00	SENSOR SPACING
876.21		BACK UP PUMPS STOP
	0.33	SENSOR SPACING
875.88		BACK UP HL ALARM
875.63		HIGH LEVEL ALARM
	0.50	SENSOR SPACING
875.13		LAG PUMP START
	0.50	SENSOR SPACING
874.63		LEAD PUMP START
	1.00	SENSOR SPACING
873.63		PUMP STOP
	2.00	DISTANCE TO FLOOR
871.63		FLOOR ELEVATION

5' DIAMETER WET WELL
4" DISCHARGE PIPING
NP3085 FLYGT PUMPS
4" - 577 VALVE VAULT

NOTE: ALL DIMENSIONS AND ELEVATIONS SHOWN ARE NOMINAL DIMENSIONS. IT IS THE RESPONSIBILITY OF THE ON-SITE CONTRACTOR OR ROMTEC UTILITIES CUSTOMER (NOT ROMTEC UTILITIES) TO VERIFY THE ACCURACY OF ANY CRITICAL DIMENSIONS OR ELEVATIONS PRIOR TO SETTING OR INSTALLING ANY EQUIPMENT.

VERIFY SCALE
BAR IS ONE INCH ON ORIGINAL DRAWING
0 1"
IF NOT ONE INCH ON THIS SHEET ADJUST SCALES PROPORTIONALLY

DSN - AD
DRN - AD
CKD - AD
DATE - 2-26-13

COMPONENT
DRAWING

ROMTEC UTILITIES
18240 NORTH BANK ROAD
ROSEBURG, OREGON 97470
(541) 496-9678
FAX (541) 496-0804

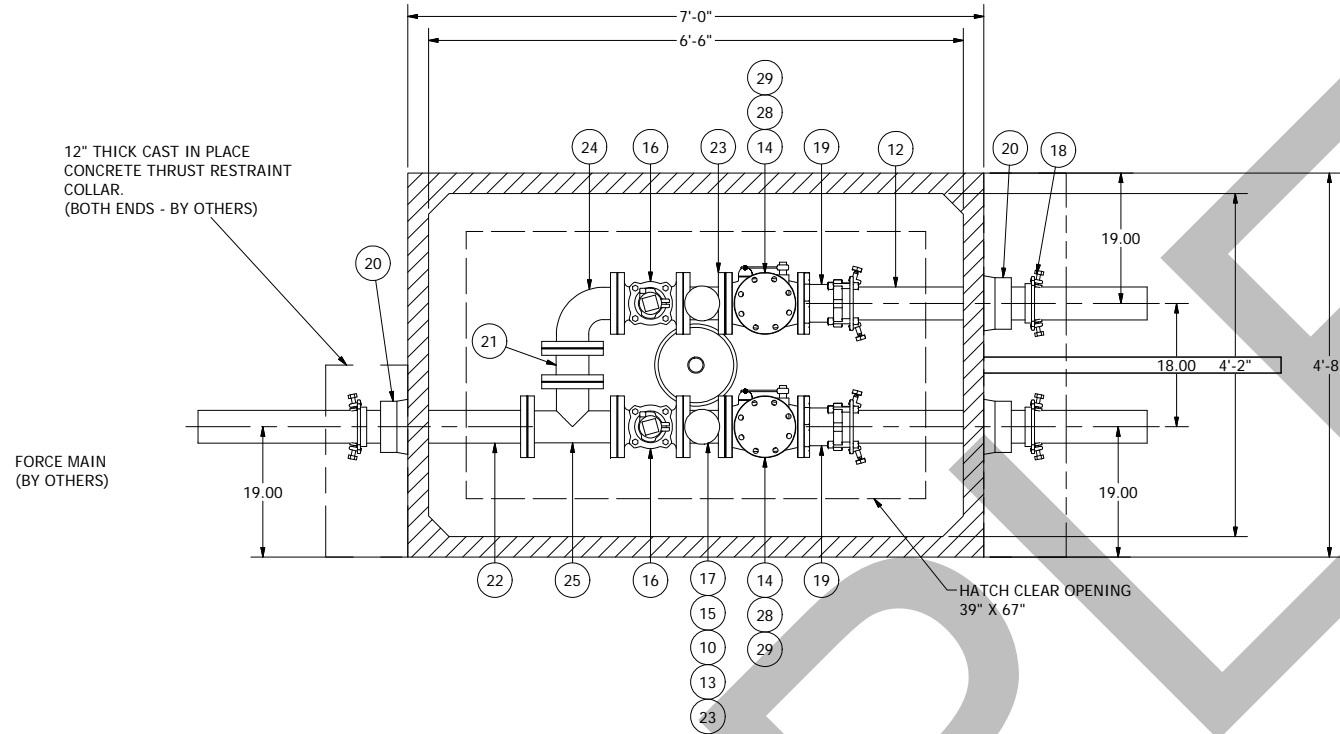
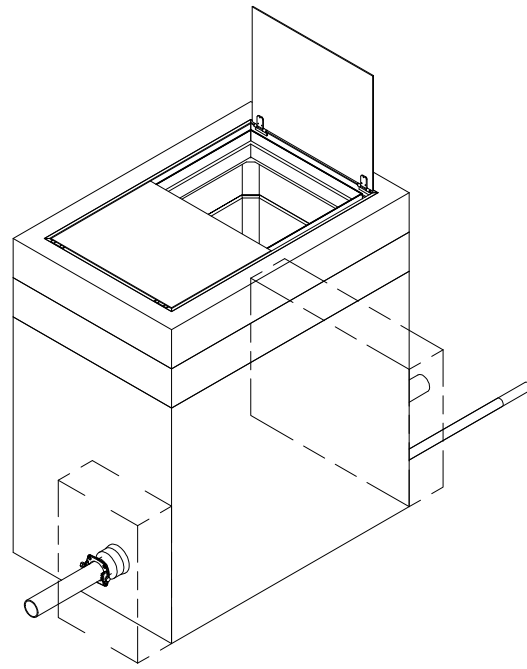
SNOQUALMIE II - PARCEL S12A
5' WET WELL - 4" PIPING

SHEET
1 OF 2

JOB NUMBER
RMTC
0000

ALL MATERIALS SHOWN ON THIS SHEET WILL BE SUPPLIED BY ROMTEC UTILITIES AND DELIVERED TO THE SITE AFTER THE HOLE HAS BEEN EXCAVATED AND SHORED. THE CONTRACTOR SHALL SUPPLY A CRANE OF SUFFICIENT SIZE TO LOWER ALL THE CONCRETE PIECES INTO THE HOLE SAFELY. THE CONTRACTOR SHALL INSTALL THE WET WELL (AND VALVE VAULT AND METERING VAULT IF APPLICABLE). ROMTEC UTILITIES WILL PROVIDE A REPRESENTATIVE FOR TECHNICAL ASSISTANCE ON THE DAY OF INSTALLATION TO ANSWER ANY QUESTIONS THAT MAY ARISE. THE CONTRACTOR IS RESPONSIBLE FOR ALL PLUMBING AND ELECTRICAL CONNECTIONS AND INSTALLATION. ITEMS NOTED AS "BY OTHERS" WILL BE PROVIDED AND INSTALLED BY THE CONTRACTOR. ROMTEC UTILITIES WILL NOT INSTALL ANY OF THE COMPONENTS SHOWN ON THIS PAGE.

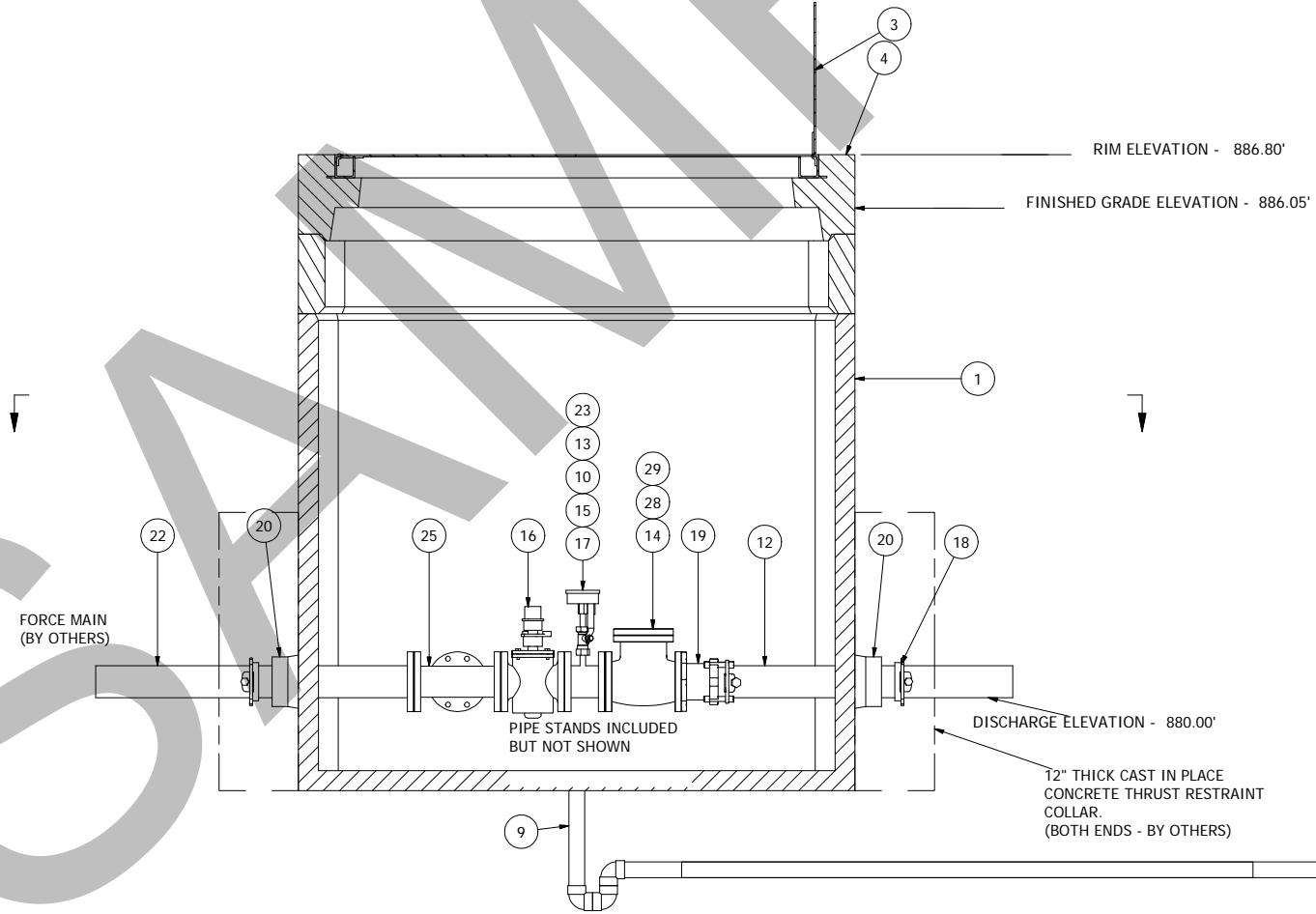
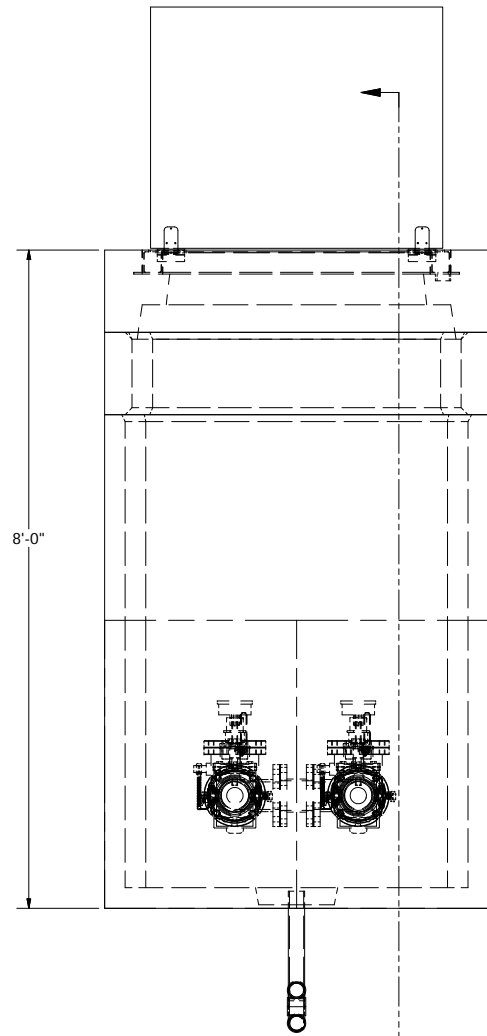
REV	DESCRIPTION	DATE	APPROV
1	CHANGES PER 3-7-13 COMMENTS	3-12-13	AD



FORCE MAIN
(BY OTHERS)

HATCH CLEAR OPENING
39" X 67"

NOTE: VAULT TOP SLAB IS PEDESTRIAN RATED



**577 VALVE VAULT
4" PIPING AND VALVES**

DRAIN BACK INCLUDES:
3 - 2" ELBOWS
1 - 2" CHECK VALVE
1 - 2" SCH 40 X 20FT PIPE
UNASSEMBLED

NOTE: ALL DIMENSIONS AND ELEVATIONS SHOWN ARE NOMINAL DIMENSIONS. IT IS THE RESPONSIBILITY OF THE ON-SITE CONTRACTOR OR ROMTEC UTILITIES CUSTOMER (NOT ROMTEC UTILITIES) TO VERIFY THE ACCURACY OF ANY CRITICAL DIMENSIONS OR ELEVATIONS PRIOR TO SETTING OR INSTALLING ANY EQUIPMENT.

ALL MATERIALS SHOWN ON THIS SHEET WILL BE SUPPLIED BY ROMTEC UTILITIES AND DELIVERED TO THE SITE AFTER THE HOLE HAS BEEN EXCAVATED AND SHORED. THE CONTRACTOR SHALL SUPPLY A CRANE OF SUFFICIENT SIZE TO LOWER ALL THE CONCRETE PIECES INTO THE HOLE SAFELY. THE CONTRACTOR SHALL INSTALL THE WET WELL (AND VALVE VAULT AND METERING VAULT IF APPLICABLE). ROMTEC UTILITIES WILL PROVIDE A REPRESENTATIVE FOR TECHNICAL ASSISTANCE ON THE DAY OF INSTALLATION TO ANSWER ANY QUESTIONS THAT MAY ARISE. THE CONTRACTOR IS RESPONSIBLE FOR ALL PLUMBING AND ELECTRICAL CONNECTIONS AND INSTALLATION. ITEMS NOTED AS "BY OTHERS" WILL BE PROVIDED AND INSTALLED BY THE CONTRACTOR. ROMTEC UTILITIES WILL NOT INSTALL ANY OF THE COMPONENTS SHOWN ON THIS PAGE.

© 2013 ROMTEC INC. ALL RIGHTS RESERVED. THESE PLANS AND DRAWINGS MAY NOT BE REPRODUCED, ADAPTED, OR FURTHER DISTRIBUTED, AND NO COMPONENTS MAY BE CONSTRUCTED FROM THESE PLANS, WITHOUT WRITTEN PERMISSION OF ROMTEC, INC.

VERIFY SCALE
BAR IS ONE INCH ON ORIGINAL DRAWING
1" = 1'-0"
IF NOT ONE INCH ON THIS SHEET, ADJUST SCALES ACCORDINGLY

COMPONENT DRAWING

ROMTEC UTILITIES
18240 NORTH BANK ROAD
ROSEBURG, OREGON 97470
(541) 496-9678
FAX (541) 496-0804

SNOQUALMIE II - PARCEL S12A
4" PIPING VALVE VAULT

SHEET
2 OF 2
JOB NUMBER
RMTC 0000

REV	DESCRIPTION	DATE	APPROV
1	REVISED TO 4in PIPING	3-12-13	AD