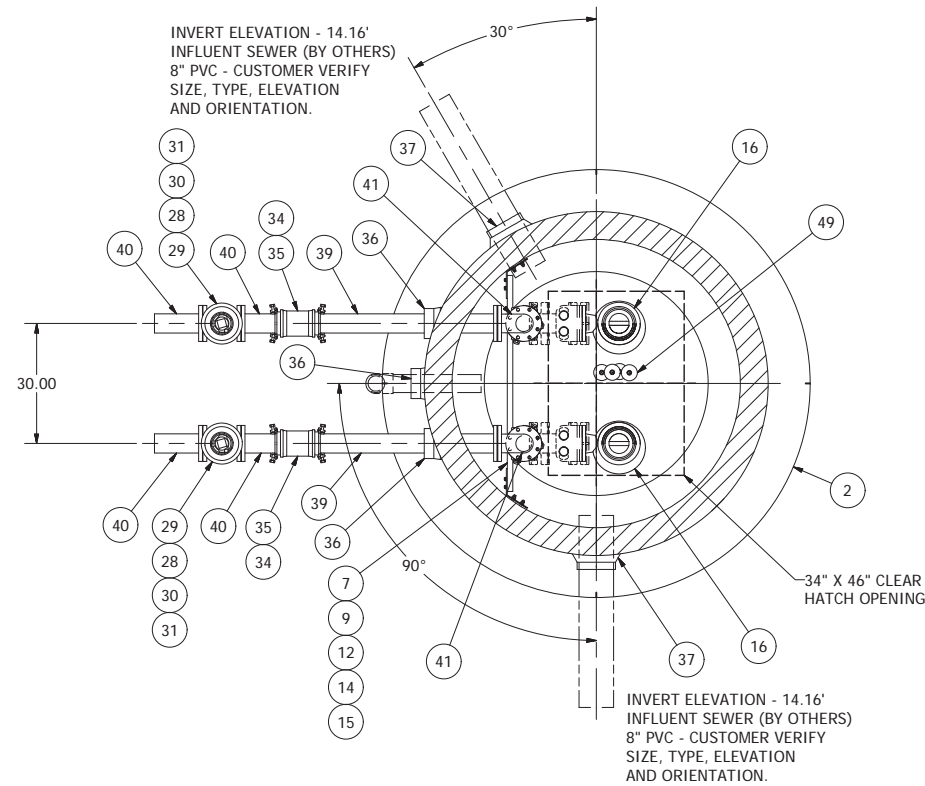
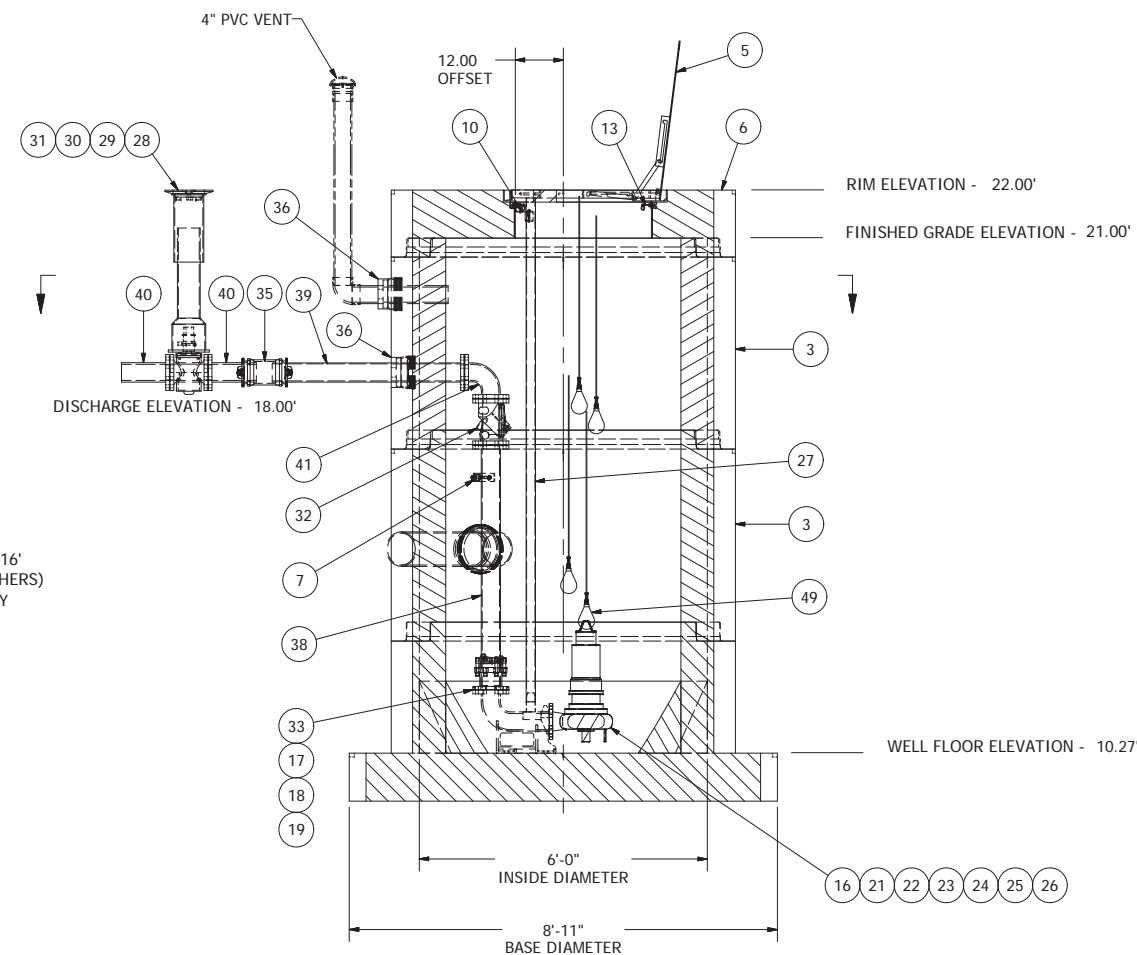
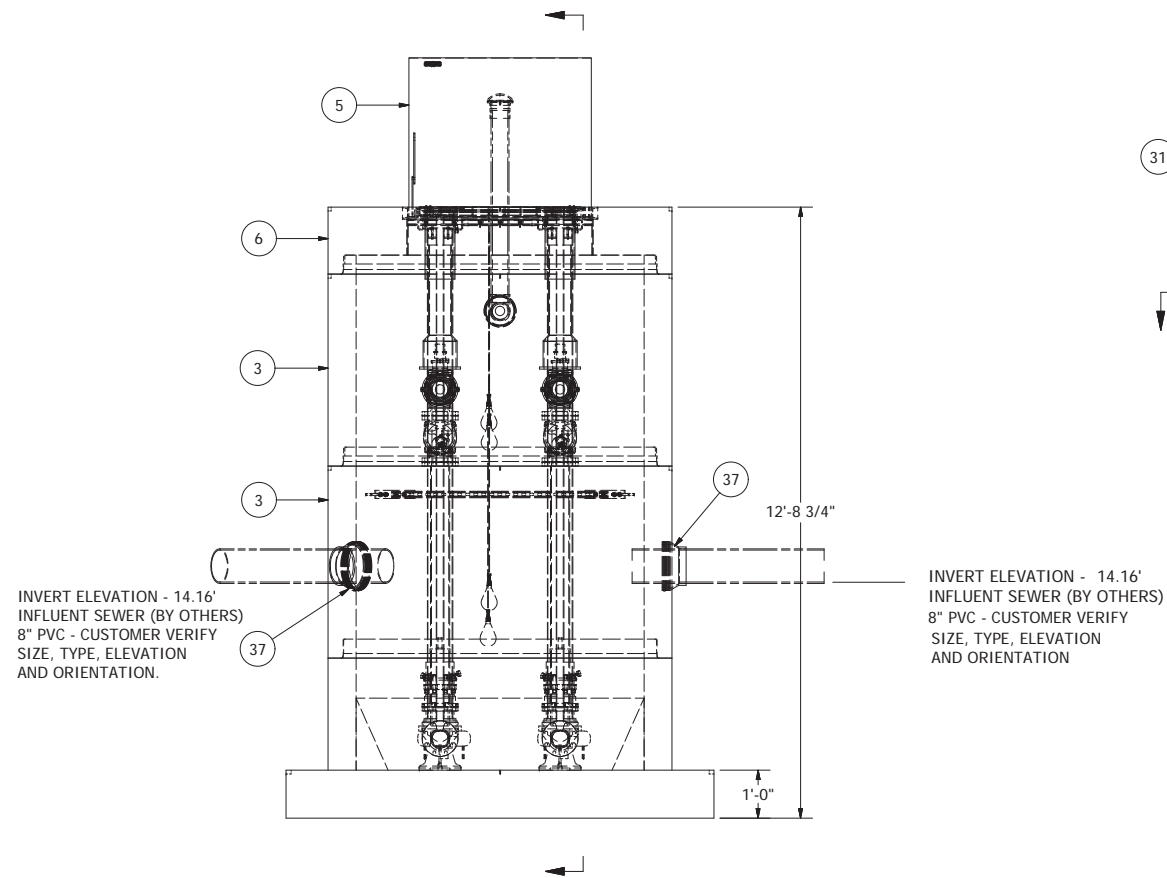


SENSOR AND ELEVATION TABLE		
LEVEL ELEVATION	DISTANCE BETWEEN POINTS	SET POINT DESCRIPTION
14.16		SEWER INVERT IN
15.02		HIGH LEVEL ALARM
	0.50	SENSOR SPACING
14.52		LAG PUMP START
	0.50	SENSOR SPACING
14.02		LEAD PUMP START
	2.25	SENSOR SPACING
11.77		PUMP STOP
	1.50	DISTANCE TO FLOOR
10.27		FLOOR ELEVATION



**NOTE: WET WELL TOP SLAB IS PEDESTRIAN RATED**



NOTE: ALL DIMENSIONS AND ELEVATIONS SHOWN ARE NOMINAL DIMENSIONS. IT IS THE RESPONSIBILITY OF THE ON-SITE CONTRACTOR OR ROMTEC UTILITIES CUSTOMER (NOT ROMTEC UTILITIES) TO VERIFY THE ACCURACY OF ANY CRITICAL DIMENSIONS OR ELEVATIONS PRIOR TO SETTING OR INSTALLING ANY EQUIPMENT.

**6' DIAMETER WET WELL  
4" DISCHARGE PIPING  
EBARA PUMPS  
4" EXTERNAL PLUG VALVES**

ALL MATERIALS SHOWN ON THIS SHEET WILL BE SUPPLIED BY ROMTEC UTILITIES AND DELIVERED TO THE SITE AFTER THE HOLE HAS BEEN EXCAVATED AND SHORED. THE CONTRACTOR SHALL SUPPLY A CRANE OF SUFFICIENT SIZE TO LOWER ALL THE CONCRETE PIECES INTO THE HOLE SAFELY. THE CONTRACTOR SHALL INSTALL THE WET WELL (AND VALVE VAULT AND METERING VAULT IF APPLICABLE). ROMTEC UTILITIES WILL PROVIDE A REPRESENTATIVE FOR TECHNICAL ASSISTANCE ON THE DAY OF INSTALLATION TO ANSWER ANY QUESTIONS THAT MAY ARISE. THE CONTRACTOR IS RESPONSIBLE FOR ALL PLUMBING AND ELECTRICAL CONNECTIONS AND INSTALLATION. ITEMS NOTED AS "BY OTHERS" WILL BE PROVIDED AND INSTALLED BY THE CONTRACTOR. ROMTEC UTILITIES WILL NOT INSTALL ANY OF THE COMPONENTS SHOWN ON THIS PAGE.

© 2010 ROMTEC INC. ALL RIGHTS RESERVED. THESE PLANS AND DRAWINGS MAY NOT BE REPRODUCED, ADAPTED, OR FURTHER DISTRIBUTED, AND NO COMPONENTS MAY BE CONSTRUCTED FROM THESE PLANS, WITHOUT WRITTEN PERMISSION OF ROMTEC, INC.

VERIFY SCALE  
BAR IS ONE INCH ON ORIGINAL DRAWING  
0 IF NOT ONE INCH ON THIS SHEET, ADJUST SCALES PROPORTIONALLY

COMPONENT DRAWING

**ROMTEC UTILITIES**  
18240 NORTH BANK ROAD  
ROSEBURG, OREGON 97470  
(541) 496-9678  
FAX (541) 496-0804

SOLYNDRA #1  
4" - 6' DIA WET WELL

SHEET  
1 OF 1

JOB NUMBER  
RMTC  
0000

REV	DESCRIPTION	DATE	APPROV
2	CHANGES PER LAUNCH MEETING	03/02/10	AM
1	COMPONENT DRAWING	01/06/10	AM

REVISION HISTORY