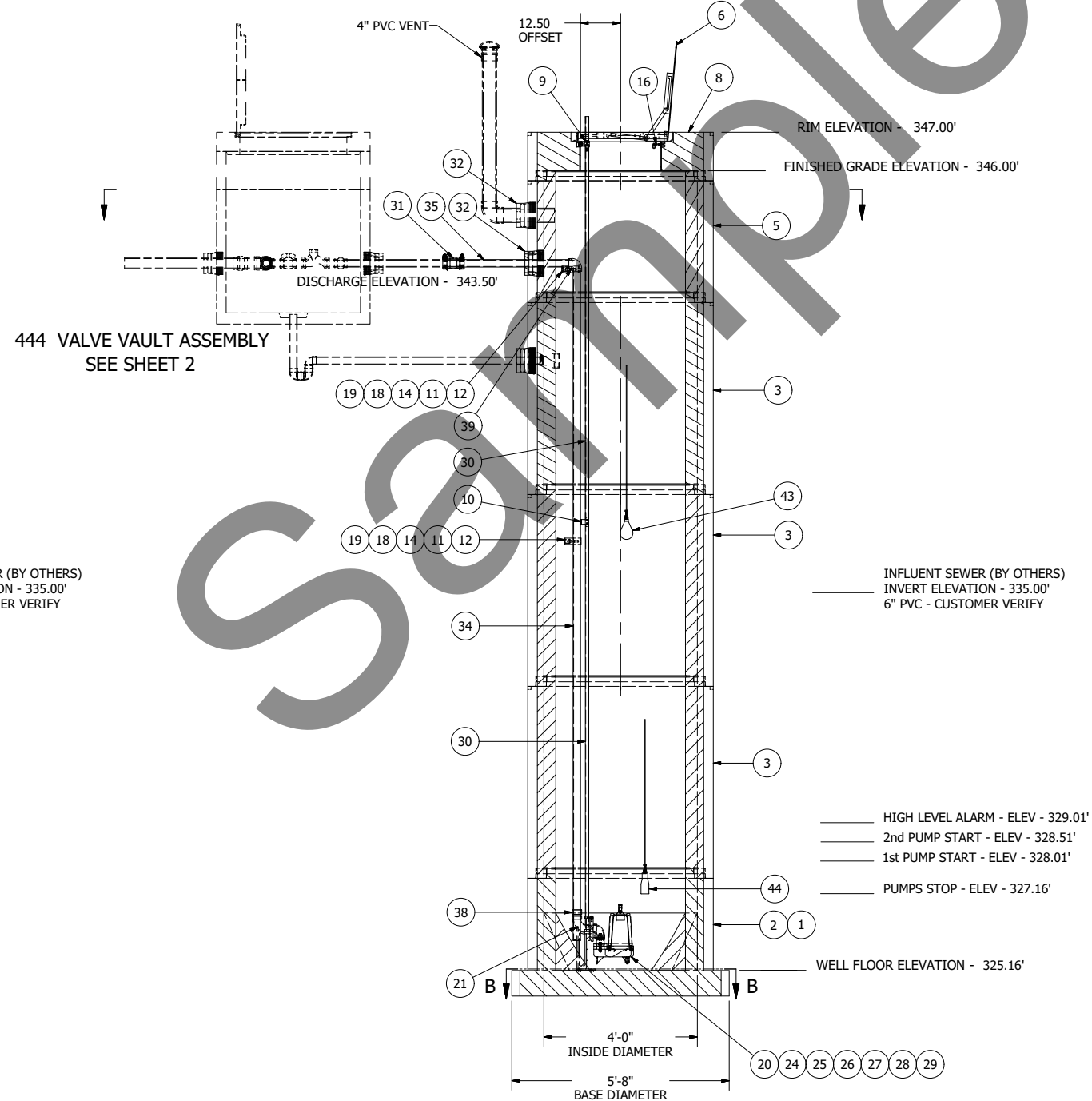
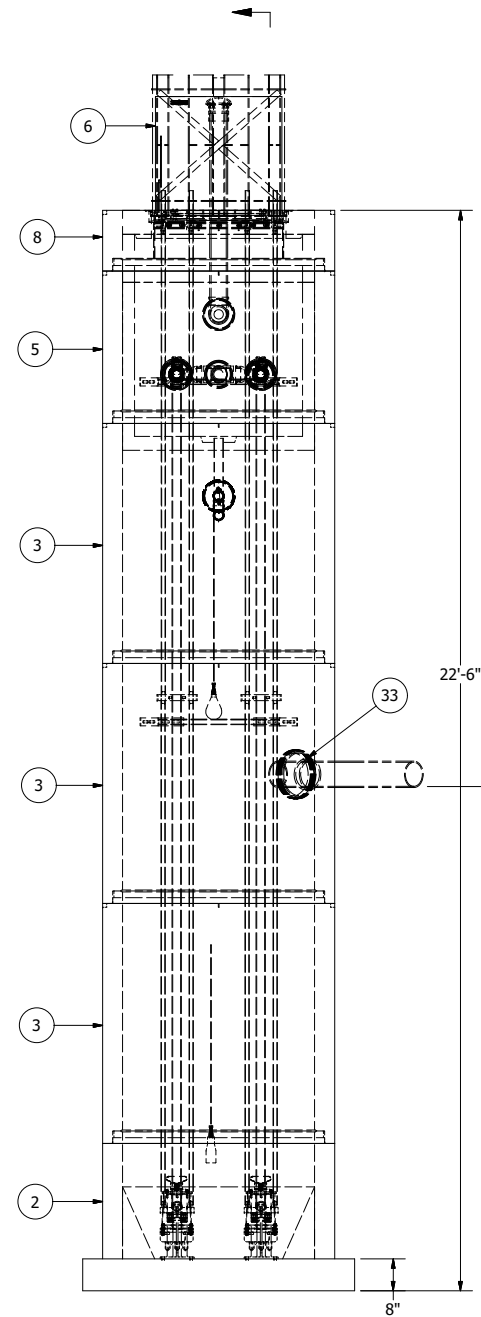


NOTE: WET WELL TOP SLAB IS PEDESTRIAN RATED



NOTE: ALL DIMENSIONS AND ELEVATIONS SHOWN ARE NOMINAL DIMENSIONS. IT IS THE RESPONSIBILITY OF THE ON-SITE CONTRACTOR OR ROMTEC UTILITIES CUSTOMER (NOT ROMTEC UTILITIES) TO VERIFY THE ACCURACY OF ANY CRITICAL DIMENSIONS OR ELEVATIONS PRIOR TO SETTING OR INSTALLING ANY EQUIPMENT.

**4' DIAMETER WET WELL  
2" DISCHARGE PIPING  
GOULDS PUMPS**

ALL MATERIALS SHOWN ON THIS SHEET WILL BE SUPPLIED BY ROMTEC UTILITIES AND DELIVERED TO THE SITE AFTER THE HOLE HAS BEEN EXCAVATED AND SHORED. THE CONTRACTOR SHALL SUPPLY A CRANE OF SUFFICIENT SIZE TO LOWER ALL THE CONCRETE PIECES INTO THE HOLE SAFELY. THE CONTRACTOR SHALL INSTALL THE WET WELL (AND VALVE VAULT AND METERING VAULT IF APPLICABLE). ROMTEC UTILITIES WILL PROVIDE A REPRESENTATIVE FOR TECHNICAL ASSISTANCE ON THE DAY OF INSTALLATION TO ANSWER ANY QUESTIONS THAT MAY ARISE. THE CONTRACTOR IS RESPONSIBLE FOR ALL PLUMBING AND ELECTRICAL CONNECTIONS AND INSTALLATION. ITEMS NOTED AS "BY OTHERS" WILL BE PROVIDED AND INSTALLED BY THE CONTRACTOR. ROMTEC UTILITIES WILL NOT INSTALL ANY OF THE COMPONENTS SHOWN ON THIS PAGE.

© 2010 ROMTEC INC. ALL RIGHTS RESERVED. THESE PLANS AND DRAWINGS MAY NOT BE REPRODUCED, ADAPTED, OR FURTHER DISTRIBUTED, AND NO COMPONENTS MAY BE CONSTRUCTED FROM THESE PLANS, WITHOUT WRITTEN PERMISSION OF ROMTEC, INC.

REV	DESCRIPTION	DATE	APPROV
4	ADDED ANCHOR BOLT LAYOUT	11/15/10	AD
3	UPDATE PER 10/06/10 COMMENTS	10/08/10	AM
2	UPDATE PER 09/30/10 COMMENTS	10/01/10	AM
1	COMPONENT DRAWING	08/09/10	AM

VERIFY SCALE  
BAR IS ONE INCH ON ORIGINAL DRAWING

1"

0 IF NOT ONE INCH ON THIS SHEET, ADJUST SIZES PROPORTIONALLY

DSN - AM

DRN - AM

CKD -

DATE - 08/09/10

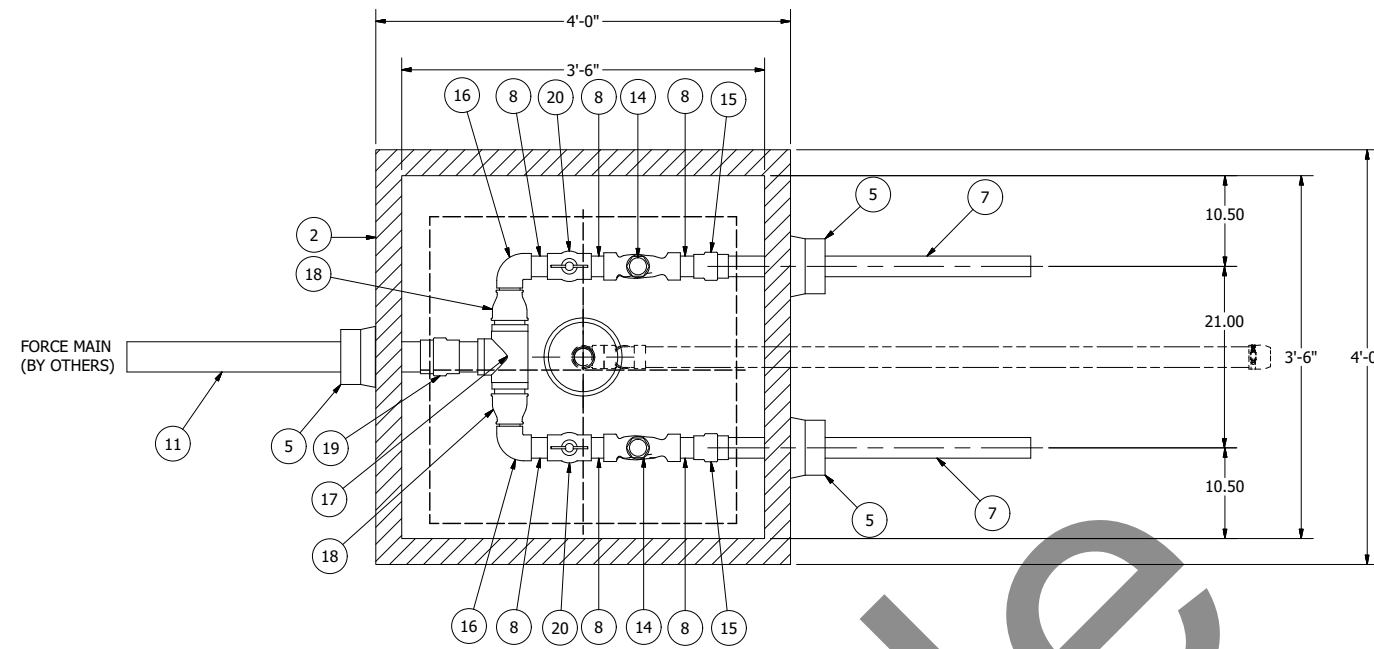
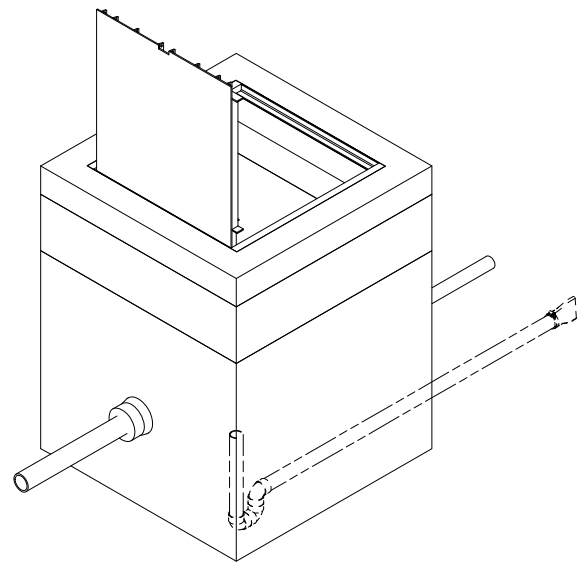
COMPONENT DRAWING

**ROMTEC UTILITIES**  
18240 NORTH BANK ROAD  
ROSEBURG, OREGON 97470  
(541) 496-9678  
FAX (541) 496-0804

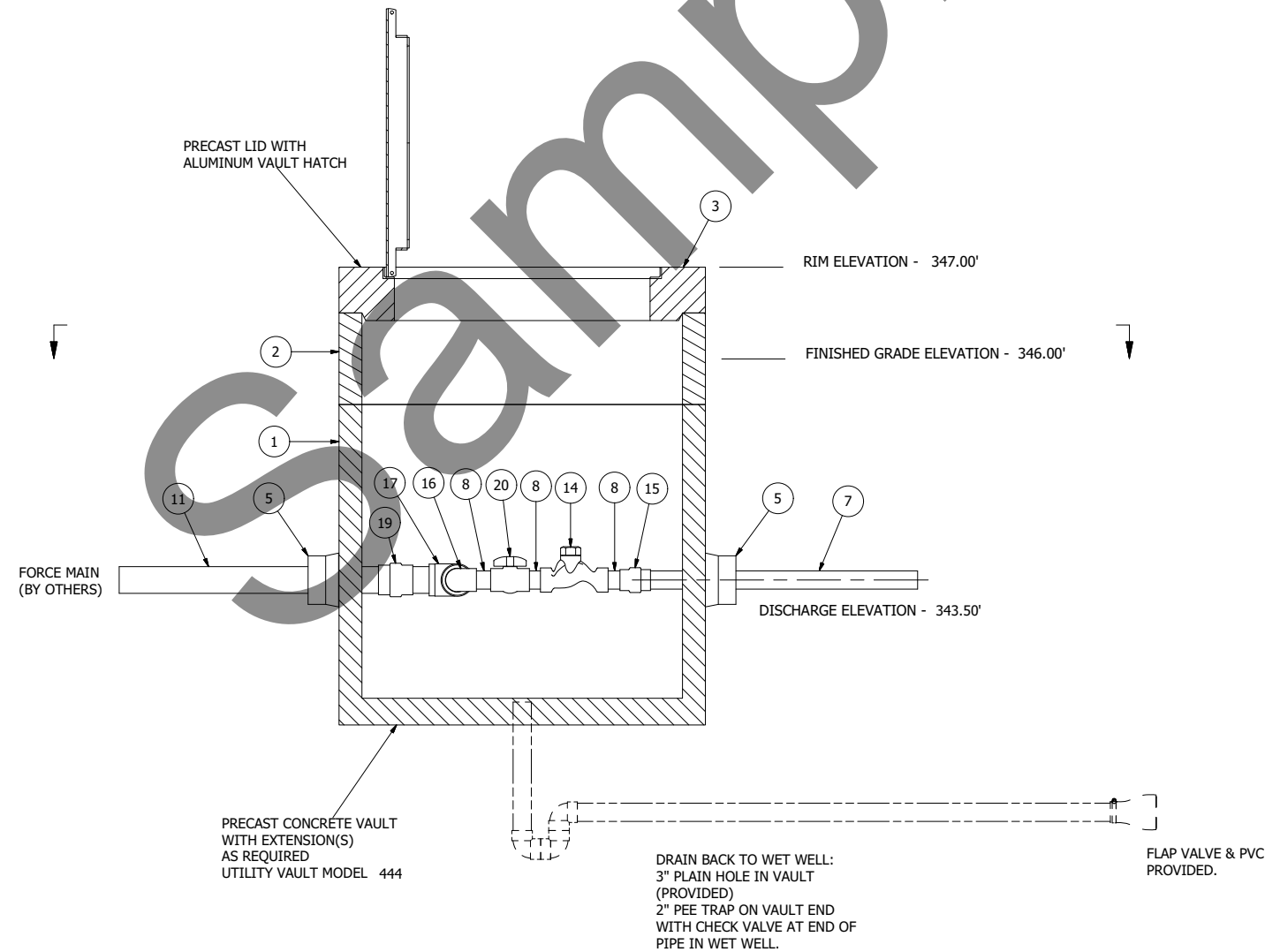
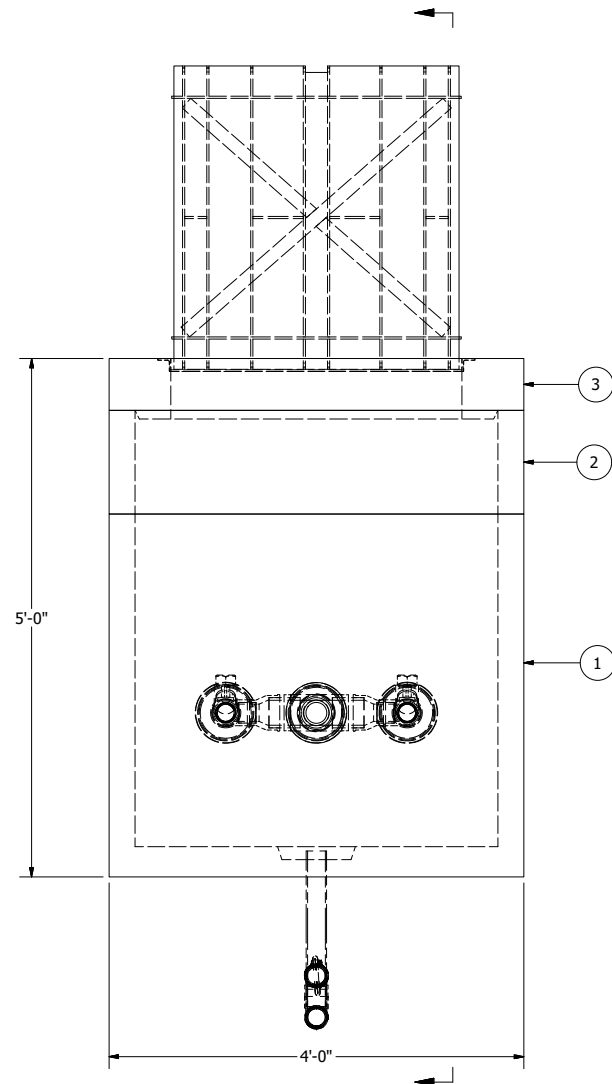
TVA - WET WELL ASSEMBLY  
2" - 4' DIA WET WELL

SHEET  
1 OF 2

JOB NUMBER  
RMTC  
1234



**NOTE: VAULT TOP SLAB IS PEDESTRIAN RATED**



NOTE: ALL DIMENSIONS AND ELEVATIONS SHOWN ARE NOMINAL DIMENSIONS. IT IS THE RESPONSIBILITY OF THE ON-SITE CONTRACTOR OR ROMTEC UTILITIES CUSTOMER (NOT ROMTEC UTILITIES) TO VERIFY THE ACCURACY OF ANY CRITICAL DIMENSIONS OR ELEVATIONS PRIOR TO SETTING OR INSTALLING ANY EQUIPMENT.

**444 VALVE VAULT  
2" PIPING AND VALVES**

VERIFY SCALE  
BAR IS ONE INCH ON ORIGINAL DRAWING  
1"  
0 IF NOT ONE INCH ON THIS SHEET, ADJUST SIZES PROPORTIONALLY  
DSN - AM  
DRN - AM  
CKD - AM  
DATE - 10-01-10

COMPONENT DRAWING

**ROMTEC UTILITIES**  
18240 NORTH BANK ROAD  
ROSEBURG, OREGON 97470  
(541) 496-9678  
FAX (541) 496-0804

**TVA - VALVE VAULT ASSEMBLY  
4" - 444 VALVE VAULT**

SHEET  
**2 OF 2**

JOB NUMBER  
**RMTC  
1234**

REV	DESCRIPTION	DATE	APPROV
3	UPDATE PER 10/06/10 COMMENTS	10/08/10	AM
2	ADDED DRAIN BACK COMPONENT DRAWING	10-05-10	AM
1		10-01-10	AM