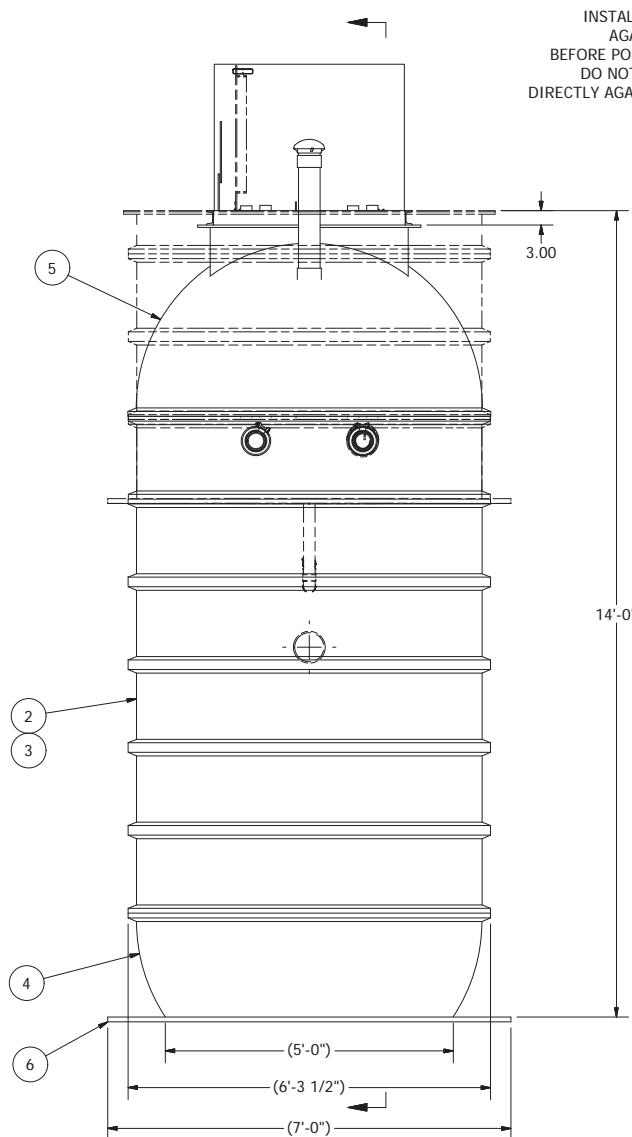


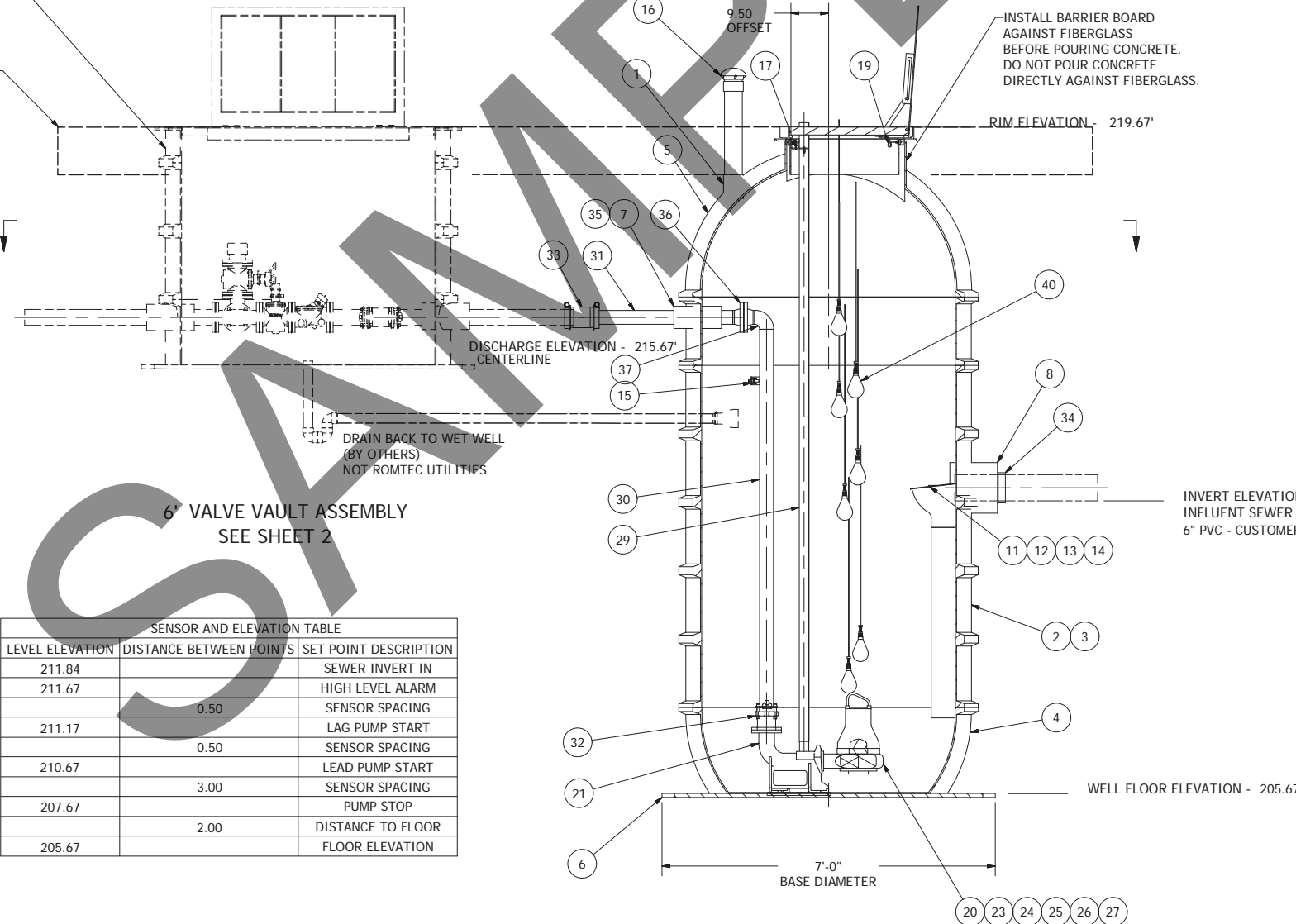
6' VALVE VAULT ASSEMBLY
SEE SHEET 2

NOTE: WET WELL TOP SLAB IS PEDESTRIAN RATED



INSTALL BARRIER BOARD AGAINST FIBERGLASS BEFORE POURING CONCRETE. DO NOT POUR CONCRETE DIRECTLY AGAINST FIBERGLASS.

CONCRETE SLAB AS REQUIRED (BY OTHERS)



6' VALVE VAULT ASSEMBLY
SEE SHEET 2

SENSOR AND ELEVATION TABLE		
LEVEL ELEVATION	DISTANCE BETWEEN POINTS	SET POINT DESCRIPTION
211.84		SEWER INVERT IN
211.67		HIGH LEVEL ALARM
	0.50	SENSOR SPACING
211.17		LAG PUMP START
	0.50	SENSOR SPACING
210.67		LEAD PUMP START
	3.00	SENSOR SPACING
207.67		PUMP STOP
	2.00	DISTANCE TO FLOOR
205.67		FLOOR ELEVATION

NOTE: ALL DIMENSIONS AND ELEVATIONS SHOWN ARE NOMINAL DIMENSIONS. IT IS THE RESPONSIBILITY OF THE ON-SITE CONTRACTOR OR ROMTEC UTILITIES CUSTOMER (NOT ROMTEC UTILITIES) TO VERIFY THE ACCURACY OF ANY CRITICAL DIMENSIONS OR ELEVATIONS PRIOR TO SETTING OR INSTALLING ANY EQUIPMENT.

6' DIAMETER WET WELL
3" DISCHARGE PIPING
CP3085 FLYGT PUMPS
6' DIA X 5' VALVE VAULT

ALL MATERIALS SHOWN ON THIS SHEET WILL BE SUPPLIED BY ROMTEC UTILITIES AND DELIVERED TO THE SITE AFTER THE HOLE HAS BEEN EXCAVATED AND SHORED. THE CONTRACTOR SHALL SUPPLY A CRANE OF SUFFICIENT SIZE TO LOWER ALL THE CONCRETE PIECES INTO THE HOLE SAFELY. THE CONTRACTOR SHALL INSTALL THE WET WELL (AND VALVE VAULT AND METERING VAULT IF APPLICABLE). ROMTEC UTILITIES WILL PROVIDE A REPRESENTATIVE FOR TECHNICAL ASSISTANCE ON THE DAY OF INSTALLATION TO ANSWER ANY QUESTIONS THAT MAY ARISE. THE CONTRACTOR IS RESPONSIBLE FOR ALL PLUMBING AND ELECTRICAL CONNECTIONS AND INSTALLATION. ITEMS NOTED AS "BY OTHERS" WILL BE PROVIDED AND INSTALLED BY THE CONTRACTOR. ROMTEC UTILITIES WILL NOT INSTALL ANY OF THE COMPONENTS SHOWN ON THIS PAGE.

© 2009 ROMTEC INC. ALL RIGHTS RESERVED. THESE PLANS AND DRAWINGS MAY NOT BE REPRODUCED, ADAPTED, OR FURTHER DISTRIBUTED, AND NO COMPONENTS MAY BE CONSTRUCTED FROM THESE PLANS, WITHOUT WRITTEN PERMISSION OF ROMTEC, INC.

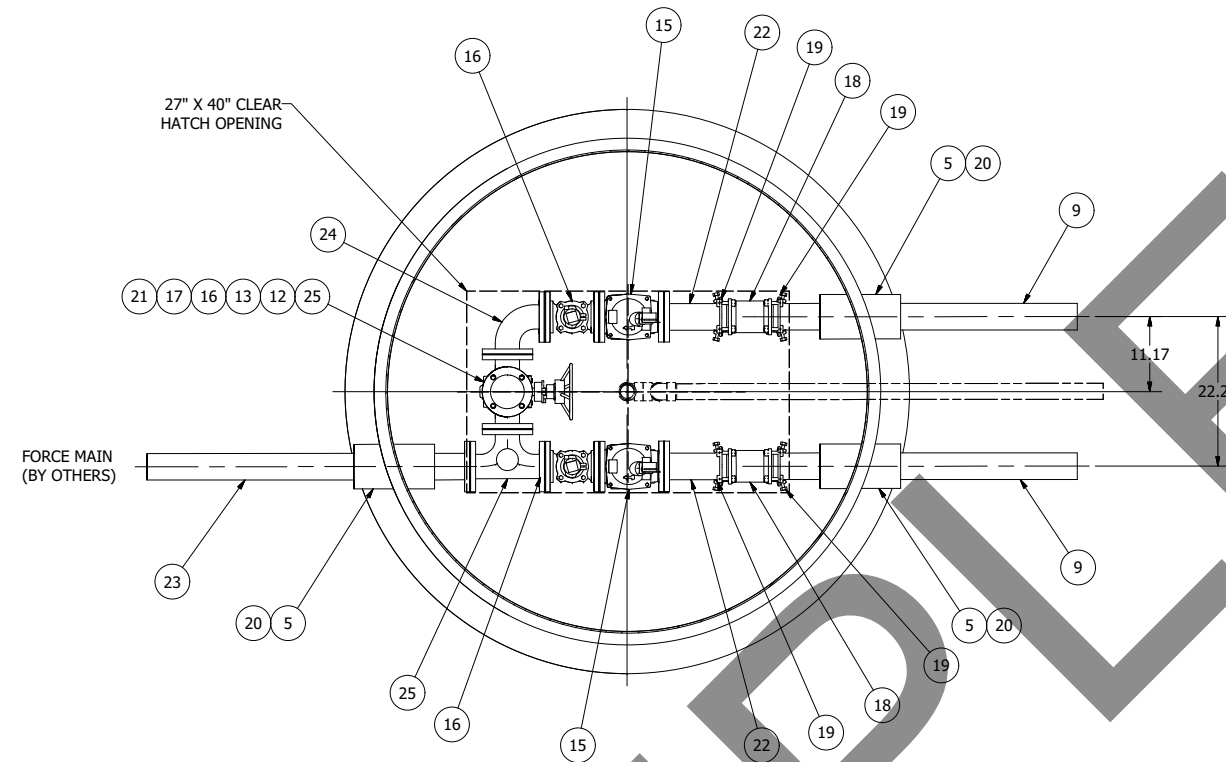
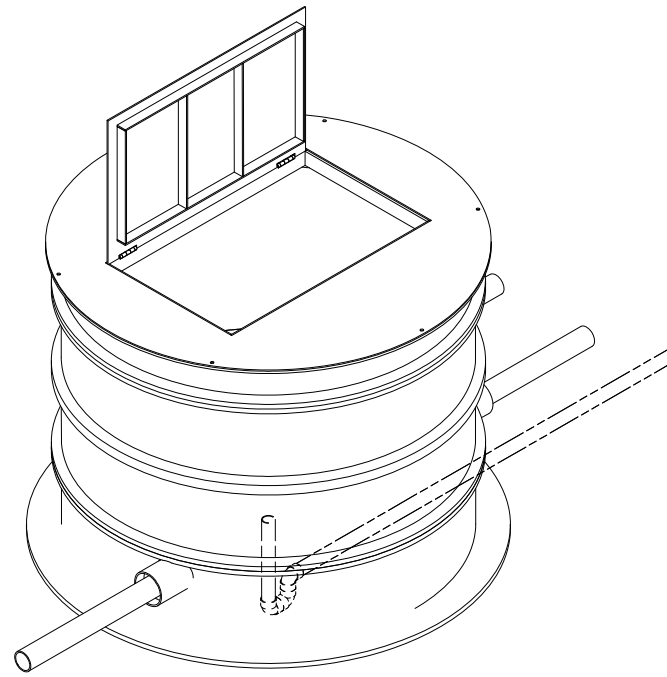
REV	DESCRIPTION	DATE	BY
1	COMPONENT DRAWING	03/30/09	AM
2	ADDED PIPE SLEEVE AND KORN-SEAL FOR DRAIN	03/31/10	AM
3	PRODUCTION LAUNCH	04/05/10	AD
4	CHANGED ELEVATIONS PER COMMENTS	07/07/10	AM
5	SECOND PRODUCTION LAUNCH	7/21/10	AD
6	CHANGED PIPE SLEEVE TO MATCH XERXES	7/28/10	AD

COMPONENT DRAWING

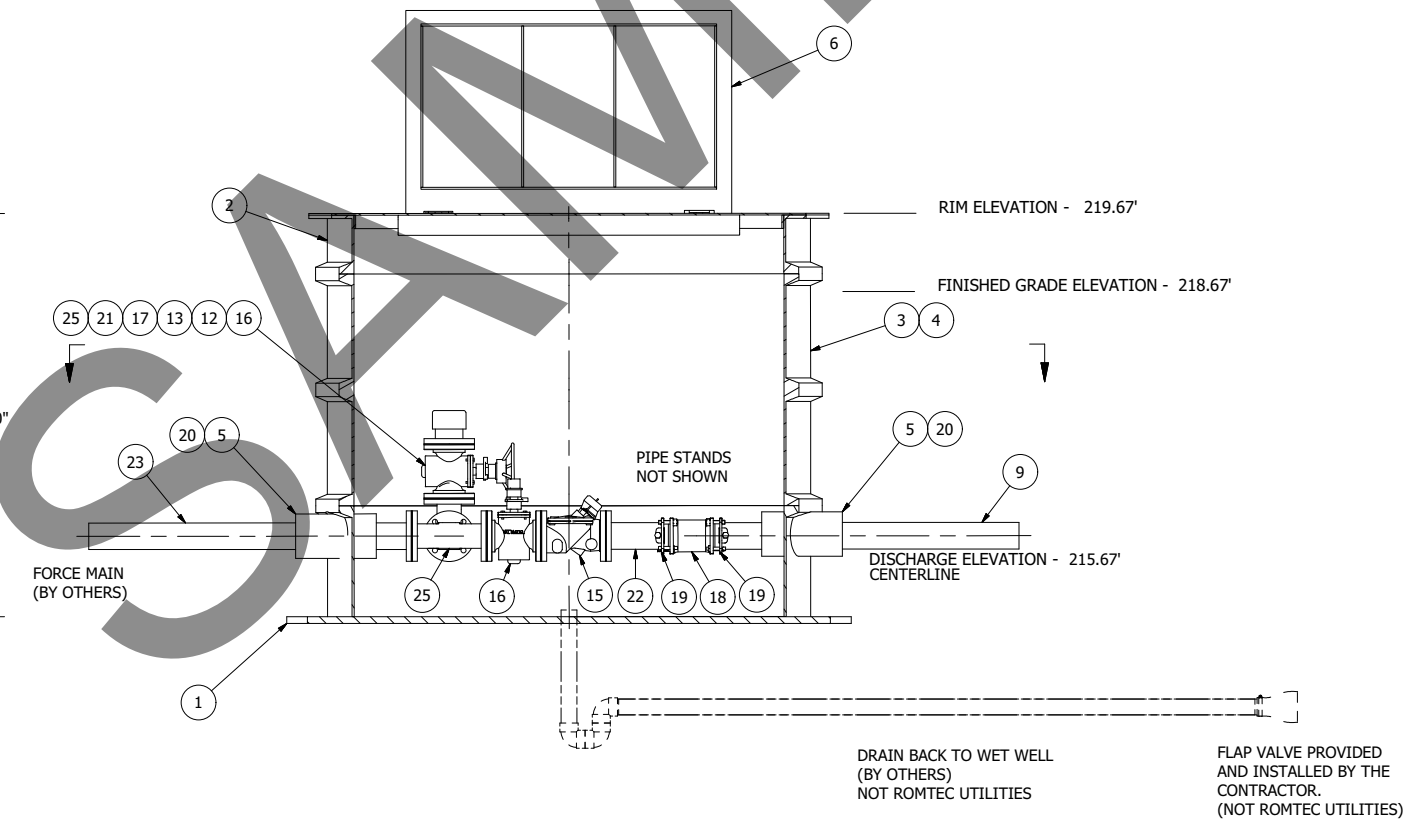
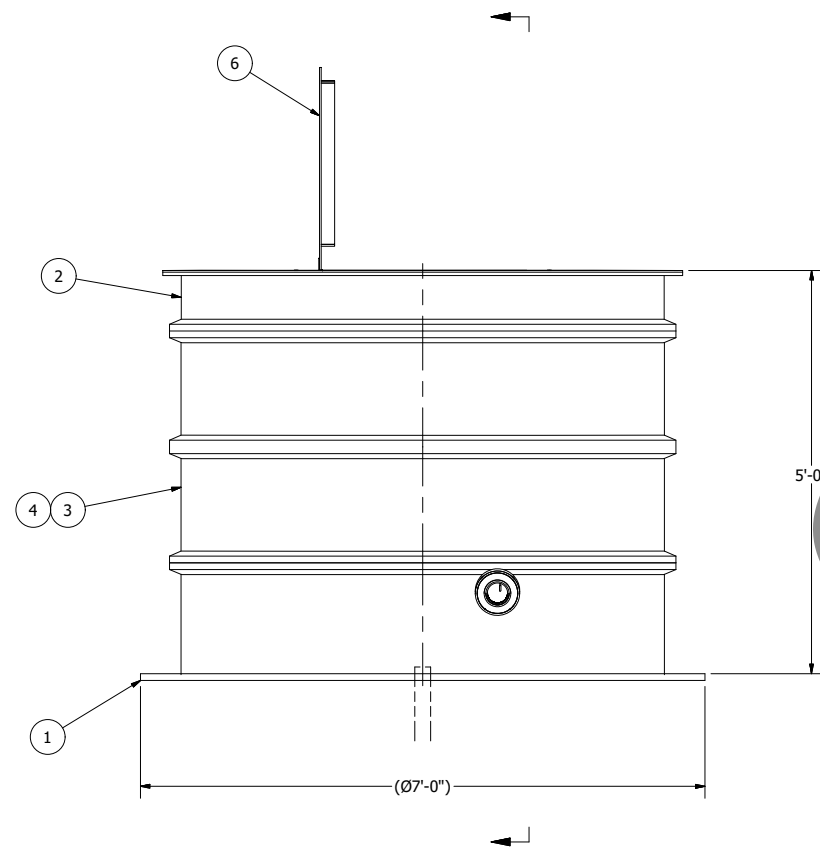
ROMTEC UTILITIES
18240 NORTH BANK ROAD
ROSEBURG, OREGON 97470
(541) 496-9678
FAX (541) 496-0804

WSI INTERNATIONAL
MIKE FIELDS
TISH NON VILLAGE
3" - 6' DIA WET WELL

SHEET
1 OF 2
JOB NUMBER
RMTCT
0000



NOTE: VAULT TOP SLAB IS PEDESTRIAN RATED



NOTE: ALL DIMENSIONS AND ELEVATIONS SHOWN ARE NOMINAL DIMENSIONS. IT IS THE RESPONSIBILITY OF THE ON-SITE CONTRACTOR OR ROMTEC UTILITIES CUSTOMER (NOT ROMTEC UTILITIES) TO VERIFY THE ACCURACY OF ANY CRITICAL DIMENSIONS OR ELEVATIONS PRIOR TO SETTING OR INSTALLING ANY EQUIPMENT.

**6' VALVE VAULT
3" PIPING AND VALVES
WITH PUMPING PORT**

© 2009 ROMTEC INC. ALL RIGHTS RESERVED. THESE PLANS AND DRAWINGS MAY NOT BE REPRODUCED, ADAPTED, OR FURTHER DISTRIBUTED, AND NO COMPONENTS MAY BE CONSTRUCTED FROM THESE PLANS, WITHOUT WRITTEN PERMISSION OF ROMTEC, INC.

REV	DESCRIPTION	DATE	BY
4	CHANGED ELEVATIONS PER COMMENTS	07/07/10	AM
3	UPDATED PIPE SLEEVES AND LINK SEALS	03/31/10	AM
2	CHANGED HATCH	04/20/09	AM
1	COMPONENT DRAWING	03/30/09	AM

VERIFY SCALE BAR IS ONE INCH ON ORIGINAL DRAWING
1"
IF NOT ONE INCH ON THIS SHEET, ADJUST SCALE ACCORDINGLY
0
DSN - AM
CKD - AM
DATE - 03/30/09

COMPONENT DRAWING

ROMTEC UTILITIES
18240 NORTH BANK ROAD
ROSEBURG, OREGON 97470
(541) 496-9678
FAX (541) 496-0804

WEST INTERNATIONAL
MIKE FIELDS
TISH NON VILLAGE
3" - 6' DIA VALVE VAULT

SHEET
2 OF 2
JOB NUMBER
RMTC 0000