

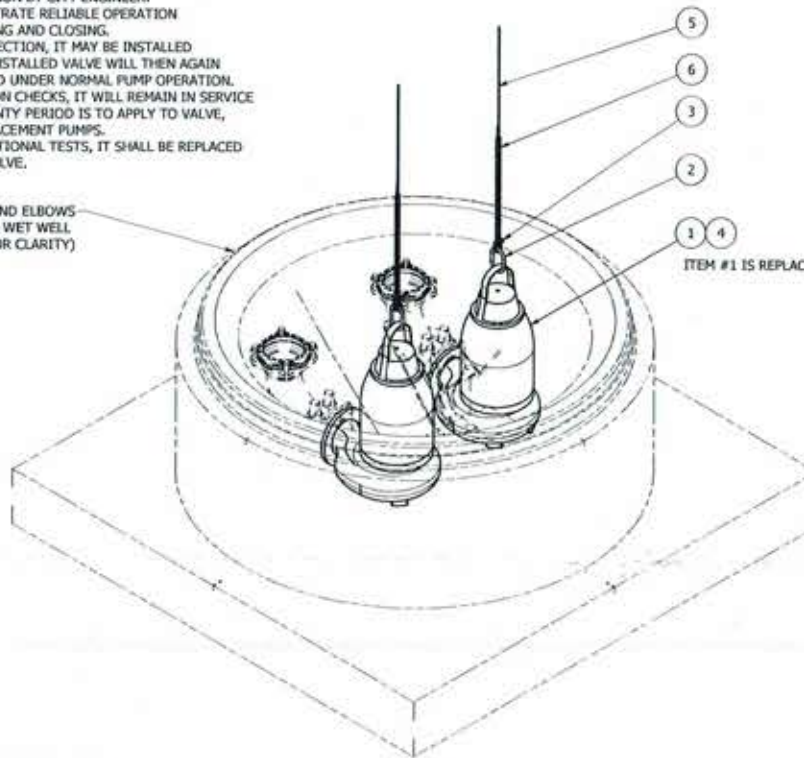
PLAN
SCALE 1 / 15

ONE PUMP WILL BE DRILLED/PREPARED TO ACCEPT A MIX FLUSH VALVE (EXISTING)

-EXISTING VALVE IS TO BE REMOVED FROM EXISTING PUMP AND CLEANED FOR INSPECTION BY CITY ENGINEER.
-CONTRACTOR TO DEMONSTRATE RELIABLE OPERATION AND VERIFY PROPER OPENING AND CLOSING.
-IF THE VALVE PASSES INSPECTION, IT MAY BE INSTALLED ON THE NEW PUMPS. THE INSTALLED VALVE WILL THEN AGAIN NEED TO BE DEMONSTRATED UNDER NORMAL PUMP OPERATION.
-IF VALVE PASSES OPERATION CHECKS, IT WILL REMAIN IN SERVICE AND THE ONE YEAR WARRANTY PERIOD IS TO APPLY TO VALVE, AS WELL AS THE NEW REPLACEMENT PUMPS.
-IF VALVE FAILS ANY OPERATIONAL TESTS, IT SHALL BE REPLACED WITH A NEW AND EQUAL VALVE.

EXISTING WET WELL BASE AND ELBOWS (REMAINDER OF WET WELL EQUIPMENT REMOVED FOR CLARITY)

CONTRACTOR TO VERIFY AND DEMONSTRATE PROPER NON-LEAKING FIT OF NEW PUMPS TO EXISTING DISCHARGE ELBOWS



ISOMETRIC
SCALE 1 / 15

ITEM #1 IS REPLACING EXISTING 7.5HP PUMPS

EXISTING PUMPS
MODEL: FLYGT NP3127MT 6" OUTLET
MOTOR: 7.5HP 230V/3PH 19A 4-POLE, FM RATED
DUTY POINT: 648 GPM @ 30.9 TDH (25.3' STATIC)
VELOCITY IN 6" SS WELL PIPING: 7.2 ft/s (1.444 CFS THRU .200 sqft)
VELOCITY IN 6" DI VAULT PIPING: 6.8 ft/s (1.444 CFS THRU .211 sqft)
VELOCITY IN 8" PVC FORCE MAIN: 4.2 ft/s (1.444 CFS THRU .347 sqft)

10 PUMP STARTS/HR = 6.0 MINUTE CYCLE
REQUIRED VOLUME: 972 GALLONS (VOLUME = PUMPING RATE x CYCLE TIME / 4)
START TO STOP: 4.60 FEET (6R DIA. WELL CONTAINS 211.49 GAL/FT)

SENSOR AND ELEVATION TABLE		
LEVEL ELEVATION	DISTANCE BETWEEN POINTS	SET POINT DESCRIPTION
333.09'		INVERT IN
---		BACK UP PUMPS START
---		SENSOR SPACING
---		BACK UP PUMPS STOP
---		SENSOR SPACING
---		BACK UP HL ALARM
332.52'		HIGH LEVEL ALARM
	0.50'	SENSOR SPACING
332.02'		LAG PUMP START
	0.50'	SENSOR SPACING
331.52'		LEAD PUMP START
	4.60'	SENSOR SPACING
326.92'		PUMP STOP
	2.73'	DISTANCE TO FLOOR
324.19'		FLOOR ELEVATION

REPLACEMENT PUMPS
MODEL: FLYGT NP3153MT 6" OUTLET
MOTOR: 12HP 230V/3PH 32A 4-POLE, FM RATED
DUTY POINT: 825 GPM @ 34.9 TDH (26.1' STATIC)
VELOCITY IN 6" SS WELL PIPING: 9.2 ft/s (1.838 CFS THRU .200 sqft)
VELOCITY IN 6" DI VAULT PIPING: 8.7 ft/s (1.838 CFS THRU .211 sqft)
VELOCITY IN 8" PVC FORCE MAIN: 5.3 ft/s (1.838 CFS THRU .347 sqft)

10 PUMP STARTS/HR = 6.0 MINUTE CYCLE
REQUIRED VOLUME: 1237.5 GALLONS
START TO STOP: 5.85 FEET

SENSOR AND ELEVATION TABLE		
LEVEL ELEVATION	DISTANCE BETWEEN POINTS	SET POINT DESCRIPTION
333.09'		INVERT IN
---		BACK UP PUMPS START
---		SENSOR SPACING
---		BACK UP PUMPS STOP
---		SENSOR SPACING
---		BACK UP HL ALARM
333.09'		HIGH LEVEL ALARM
	0.50'	SENSOR SPACING
332.59'		LAG PUMP START
	0.50'	SENSOR SPACING
332.09'		LEAD PUMP START
	5.90'	SENSOR SPACING
326.19'		PUMP STOP
	2.00'	DISTANCE TO FLOOR
324.19'		FLOOR ELEVATION

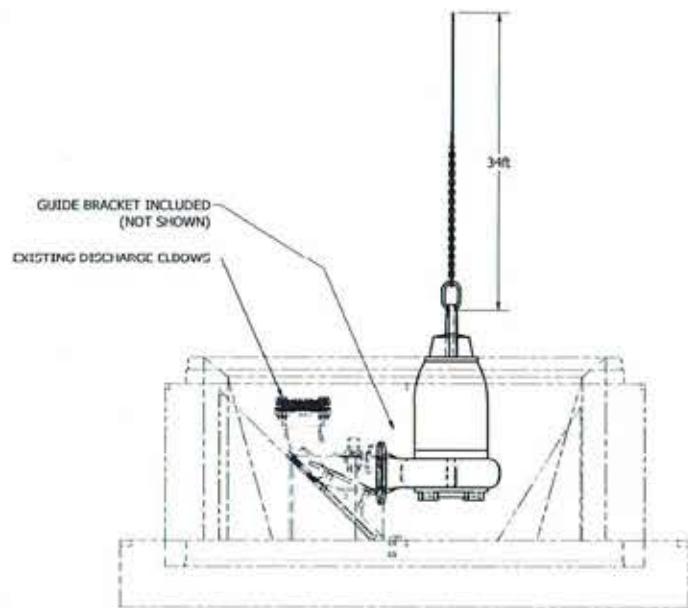
NOTE: THE STOP ELEVATION WAS LOWERED TO ACCOMMODATE THE LARGER VOLUME REQUIRED.

THE LOW WATER LEVEL IS NOW 2.00 FEET ABOVE THE FLOOR
THE MINIMUM WATER LEVEL FOR NP3153MT IS 1.0 FEET

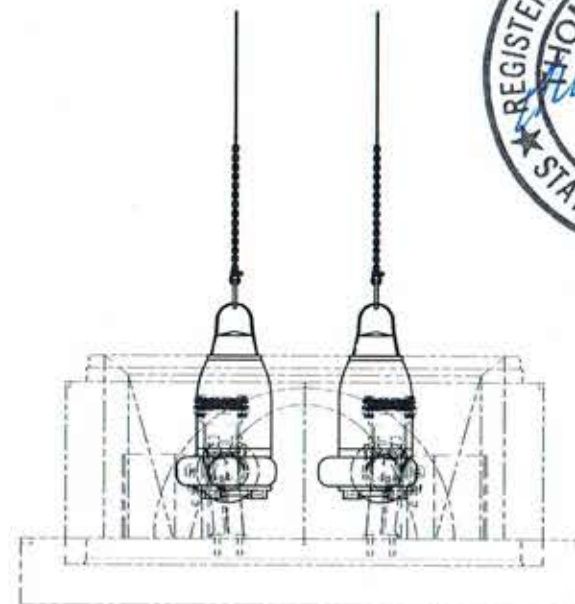
REPLACEMENT PUMPS (TWO PUMPS RUNNING)
DUTY POINT: 771 GPM (EACH) @ 36.1 TDH (26.1' STATIC)
VELOCITY IN 6" SS WELL PIPING: 8.6 ft/s (1.718 CFS THRU .200 sqft)
VELOCITY IN 6" DI VAULT PIPING: 8.1 ft/s (1.718 CFS THRU .211 sqft)
VELOCITY IN 8" PVC FORCE MAIN: 9.9 ft/s (3.436 CFS THRU .347 sqft)

NOTE: THE CONTROL PANEL UPGRADE INCLUDES NEMA SIZE 2 STARTERS WHICH ARE ADEQUATELY SIZED FOR 12HP PUMPS.

NOTE: ALL DIMENSIONS AND ELEVATIONS SHOWN ARE NOMINAL DIMENSIONS. IT IS THE RESPONSIBILITY OF THE ON-SITE CONTRACTOR OR ROMTEC UTILITIES CUSTOMER (NOT ROMTEC UTILITIES) TO VERIFY THE ACCURACY OF ANY CRITICAL DIMENSIONS OR ELEVATIONS PRIOR TO SETTING OR INSTALLING ANY EQUIPMENT.



PROFILE
SCALE 1 / 15



FRONT
SCALE 1 / 15



NO.	REVISION	DATE	APPROV.
0.2	ADDITIONAL NOTES AND CLARIFICATIONS	12-9-15	KB
0.1	ADDITIONAL NOTES AND CLARIFICATIONS	10-23-15	KB
0	INITIAL UPGRADE OFFERING	9-22-15	KB

NO.	REVISION	DATE	APPROV.
0.2	ADDITIONAL NOTES AND CLARIFICATIONS	12-9-15	KB
0.1	ADDITIONAL NOTES AND CLARIFICATIONS	10-23-15	KB
0	INITIAL UPGRADE OFFERING	9-22-15	KB

COMPONENT
DRAWING

ROMTEC UTILITIES
18240 NORTH BANK ROAD
ROSEBURG, OREGON 97470
(541) 496-9678
FAX (541) 496-0804

TRACT 6865
REPLACEMENT PUMP PACKAGE

SHEET
4 OF 5

JOB NUMBER
RMTC
0000

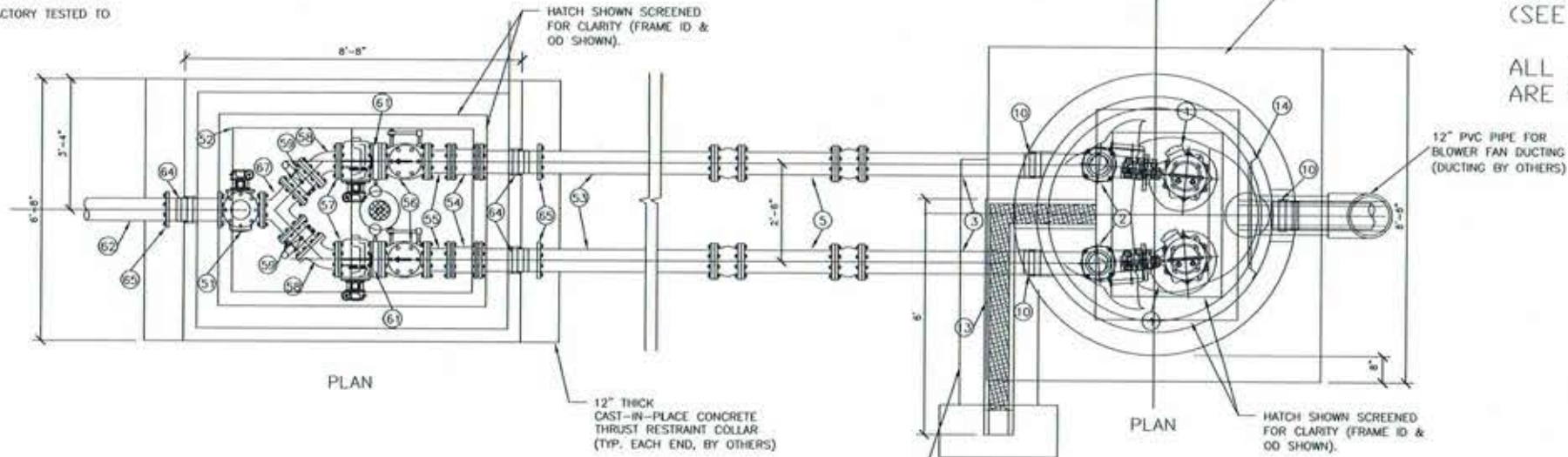
NOTE: WETWELL TOP SLAB IS OCCASIONALLY TRAFFIC RATED

THIS SHEET IS FOR REFERENCE ONLY.

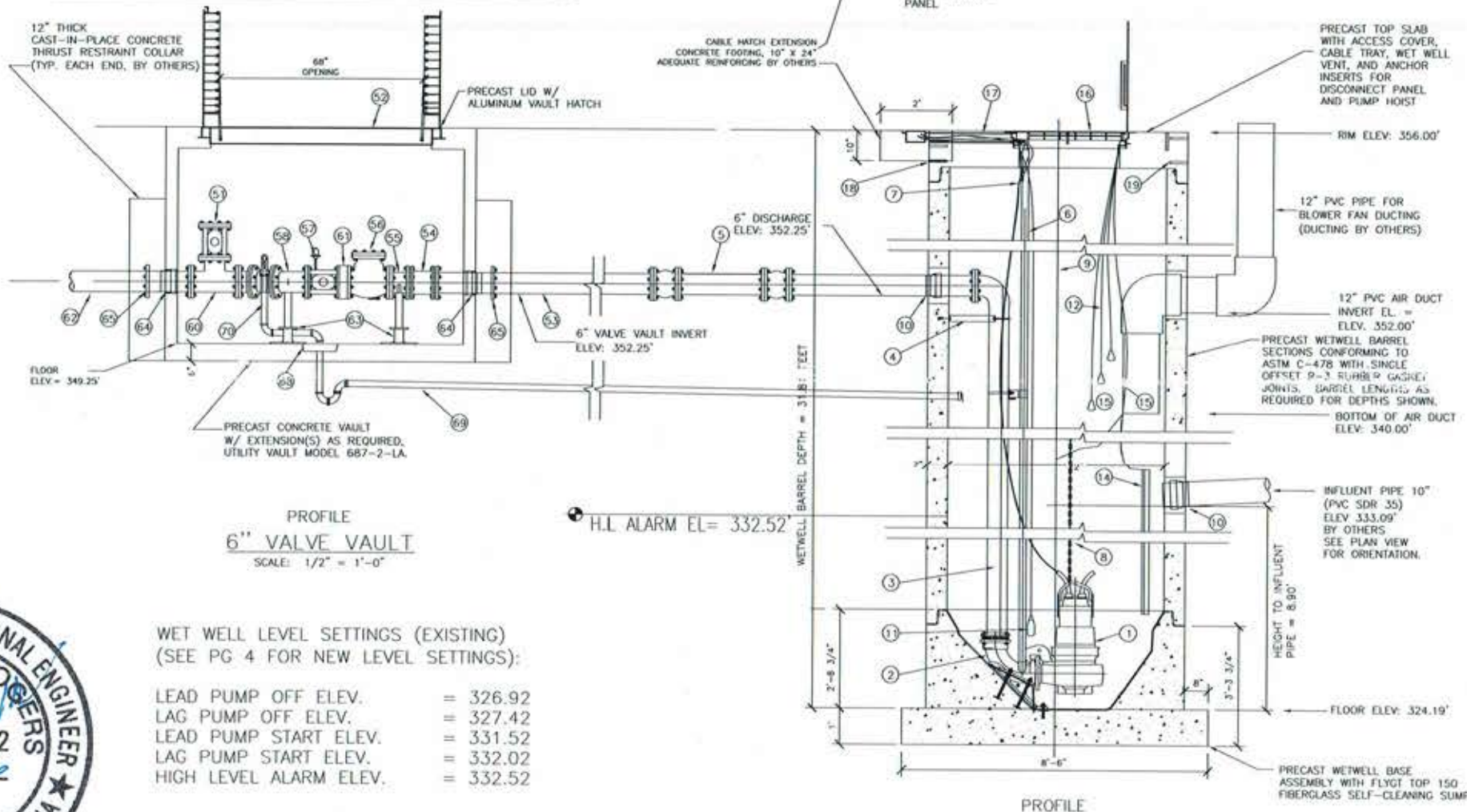
ITEMS 1, 7, & 8 ARE INCLUDED IN THE PUMP PACKAGE TO REPLACE THE EXISTING 7.5HP PUMPS. (SEE PG 4 OF 5)

ALL OTHER ITEMS ARE EXISTING AND ARE TO REMAIN IN PLACE.

- VAULT DESIGN NOTES:**
1. ALL PIPING & VALVES WITHIN VAULT ARE 6 INCH DIAMETER.
 2. HATCH DESIGN LOADS: OCCASIONALLY TRAFFIC LOADED, H-20 DESIGN.
 3. VALVES AND VAULT PIPING SYSTEM FACTORY TESTED TO 100 PSI AFTER ASSEMBLY.



NOTE: VAULT TOP SLAB IS H-20 OCCASIONALLY TRAFFIC RATED



PROFILE
6" VALVE VAULT
SCALE: 1/2" = 1'-0"

PROFILE
6" DIAMETER WETWELL
SCALE: 1/2" = 1'-0"

WET WELL LEVEL SETTINGS (EXISTING)
(SEE PG 4 FOR NEW LEVEL SETTINGS):

LEAD PUMP OFF ELEV.	=	326.92
LAG PUMP OFF ELEV.	=	327.42
LEAD PUMP START ELEV.	=	331.52
LAG PUMP START ELEV.	=	332.02
HIGH LEVEL ALARM ELEV.	=	332.52



NO.	DATE	DESCRIPTION	BY
1	10-21-03	COMPONENT DRAWING	JVB
2	11-14-03	REVISED	JVB
3	11-14-03	REVISED	JVB
4	11-14-03	REVISED	JVB
5	11-14-03	REVISED	JVB
6	11-14-03	REVISED	JVB
7	11-14-03	REVISED	JVB
8	11-14-03	REVISED	JVB
9	11-14-03	REVISED	JVB
10	11-14-03	REVISED	JVB
11	11-14-03	REVISED	JVB
12	11-14-03	REVISED	JVB
13	11-14-03	REVISED	JVB
14	11-14-03	REVISED	JVB
15	11-14-03	REVISED	JVB
16	11-14-03	REVISED	JVB
17	11-14-03	REVISED	JVB
18	11-14-03	REVISED	JVB
19	11-14-03	REVISED	JVB
20	11-14-03	REVISED	JVB
21	11-14-03	REVISED	JVB
22	11-14-03	REVISED	JVB
23	11-14-03	REVISED	JVB
24	11-14-03	REVISED	JVB
25	11-14-03	REVISED	JVB
26	11-14-03	REVISED	JVB
27	11-14-03	REVISED	JVB
28	11-14-03	REVISED	JVB
29	11-14-03	REVISED	JVB
30	11-14-03	REVISED	JVB
31	11-14-03	REVISED	JVB
32	11-14-03	REVISED	JVB
33	11-14-03	REVISED	JVB
34	11-14-03	REVISED	JVB
35	11-14-03	REVISED	JVB
36	11-14-03	REVISED	JVB
37	11-14-03	REVISED	JVB
38	11-14-03	REVISED	JVB
39	11-14-03	REVISED	JVB
40	11-14-03	REVISED	JVB
41	11-14-03	REVISED	JVB
42	11-14-03	REVISED	JVB
43	11-14-03	REVISED	JVB
44	11-14-03	REVISED	JVB
45	11-14-03	REVISED	JVB
46	11-14-03	REVISED	JVB
47	11-14-03	REVISED	JVB
48	11-14-03	REVISED	JVB
49	11-14-03	REVISED	JVB
50	11-14-03	REVISED	JVB

TRACT 8865
6" WETWELL
6" DISCHARGE & 6" VAULT
FLYGT NP 3127 7.5 HP PUMPS

ROMTEC
18740 NORTH BANK ROAD
ROSEBURG, OR 97470
(541)-496-3541
FAX (541)-496-0803

SHEET
5 OF 5
JOB NUMBER
RMT0133

Dec 10, 2015 - 11:03am
 4:\OUTFILES - LIFT STATION\CONFORME\TRACT 8333\COMPONENT DRAWINGS\14 - TRACT 8333 - COMPONENT DRAWING 11-2-15-049