

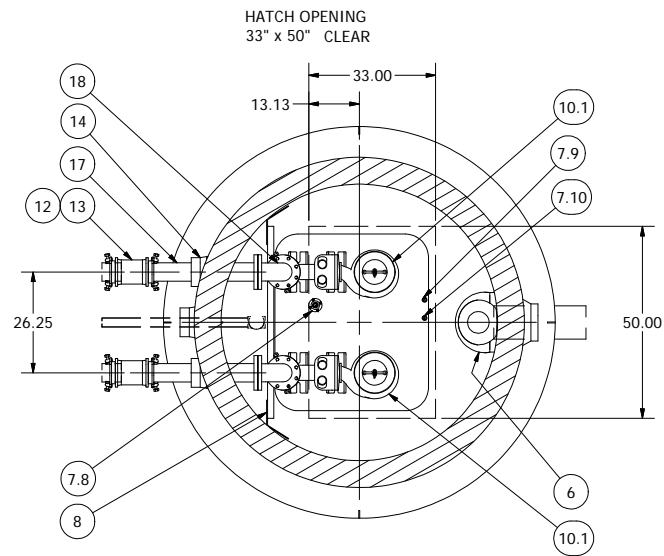
6' DIAMETER WET WELL
 4" DISCHARGE PIPING
 FLYGT NP3085MT PUMPS
 4" 577 VALVE VAULT

4" VALVE VAULT ASSEMBLY
 SEE SHEET 2

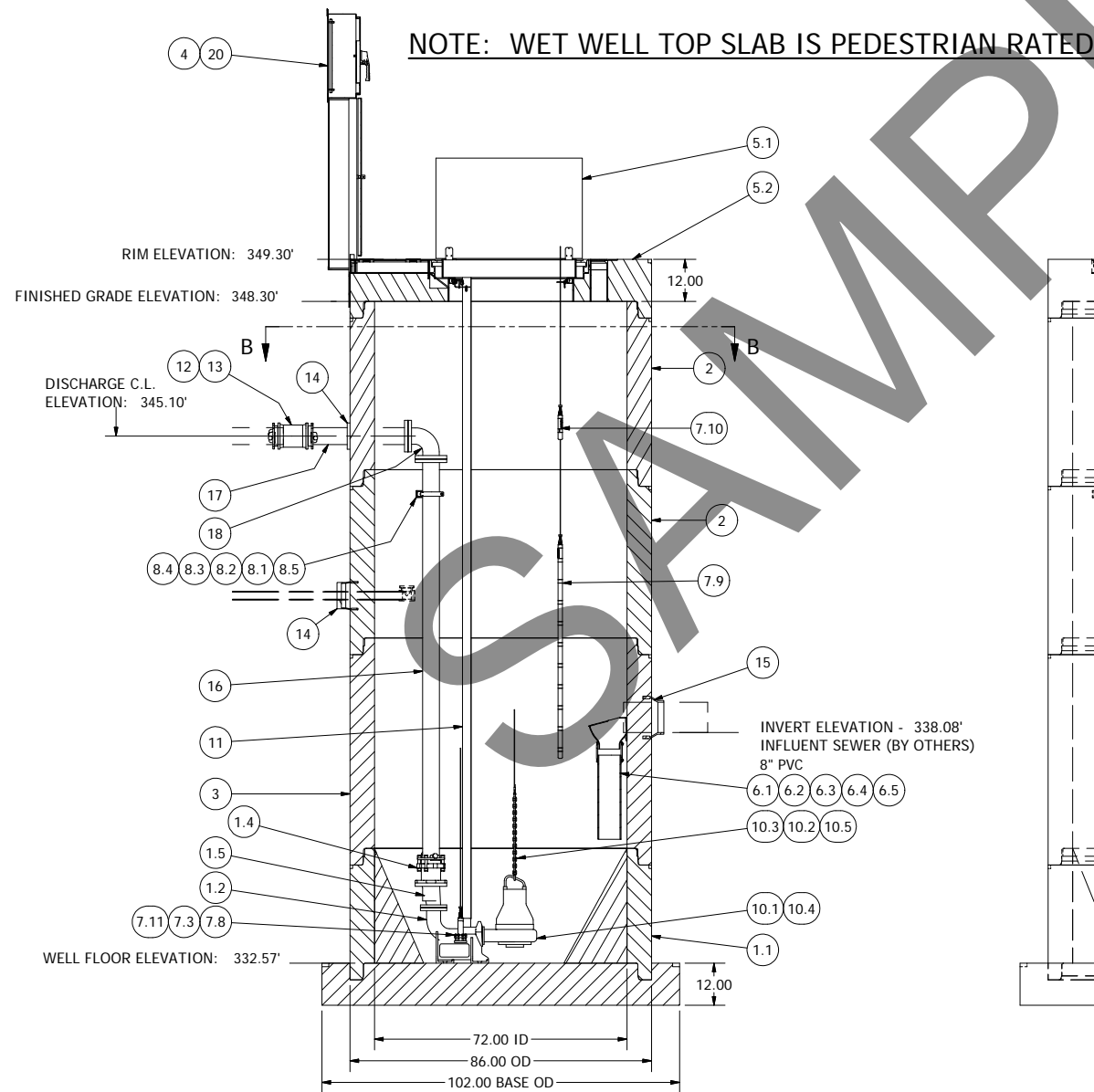
NOTE:
 CONDUIT TO CONTROL PANEL (BY OTHERS)
 MINIMUM:
 (2) FOR POWER
 (1) FOR LEVEL SENSING

ALL MATERIALS SHOWN ON THIS SHEET WILL BE SUPPLIED BY ROMTEC UTILITIES AND DELIVERED TO THE SITE AFTER THE HOLE HAS BEEN EXCAVATED AND SHORED. THE CONTRACTOR SHALL SUPPLY A CRANE OF SUFFICIENT SIZE TO LOWER ALL THE CONCRETE PIECES INTO THE HOLE SAFELY. THE CONTRACTOR SHALL INSTALL THE WET WELL (AND VALVE VAULT AND METERING VAULT IF APPLICABLE). ROMTEC UTILITIES WILL PROVIDE A REPRESENTATIVE FOR TECHNICAL ASSISTANCE ON THE DAY OF INSTALLATION TO ANSWER ANY QUESTIONS THAT MAY ARISE. THE CONTRACTOR IS RESPONSIBLE FOR ALL PLUMBING AND ELECTRICAL CONNECTIONS AND INSTALLATION. ITEMS NOTED AS "BY OTHERS" WILL BE PROVIDED AND INSTALLED BY THE CONTRACTOR. ROMTEC UTILITIES WILL NOT INSTALL ANY OF THE COMPONENTS SHOWN ON THIS PAGE.

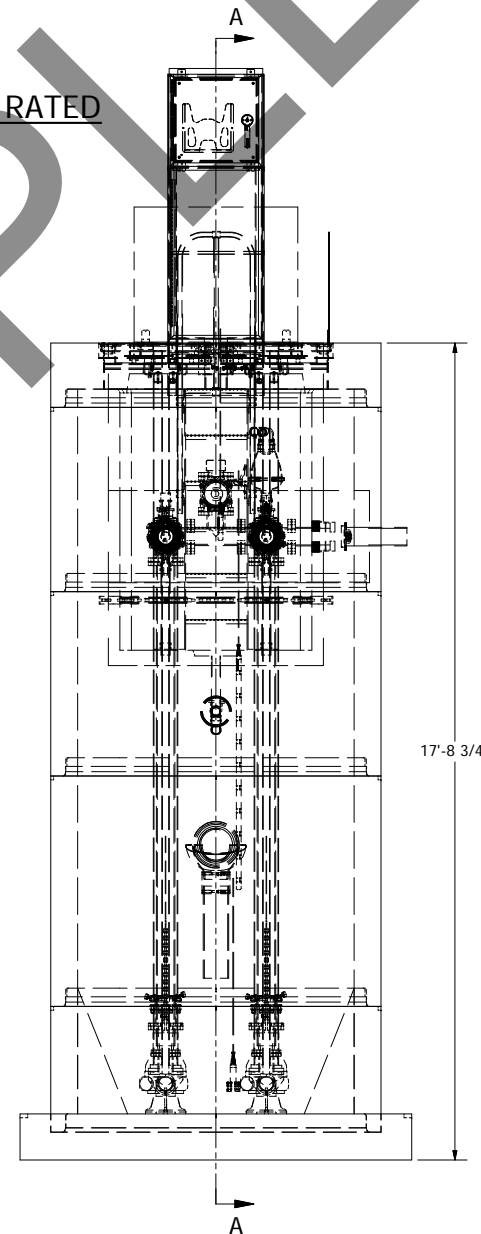
© 2015 ROMTEC INC. ALL RIGHTS RESERVED. THESE PLANS AND DRAWINGS MAY NOT BE REPRODUCED, ADAPTED, OR FURTHER DISTRIBUTED, AND NO COMPONENTS MAY BE CONSTRUCTED FROM THESE PLANS, WITHOUT WRITTEN PERMISSION OF ROMTEC, INC.



TOP VIEW
 SECTION B-B
 SCALE 1 / 25



PROFILE VIEW
 SECTION A-A
 SCALE 1 / 25



INLET SIDE VIEW
 SCALE 1 / 25

| SENSOR AND ELEVATION TABLE | | |
|----------------------------|-------------------------|-----------------------|
| LEVEL ELEVATION | DISTANCE BETWEEN POINTS | SET POINT DESCRIPTION |
| 338.08' | | INVERT IN |
| - | | BACK UP PUMPS START |
| - | | SENSOR SPACING |
| - | | BACK UP PUMPS STOP |
| - | | SENSOR SPACING |
| - | | BACK UP HL ALARM |
| 337.57' | | HIGH LEVEL ALARM |
| | 0.50' | SENSOR SPACING |
| 337.07' | | LAG PUMP START |
| | 0.50' | SENSOR SPACING |
| 336.57' | | LEAD PUMP START |
| | 2.50' | SENSOR SPACING |
| 334.07' | | PUMP STOP |
| | 1.50' | DISTANCE TO FLOOR |
| 332.57' | | FLOOR ELEVATION |

NOTE: WET WELL TOP SLAB IS PEDESTRIAN RATED

NOTE: ALL DIMENSIONS AND ELEVATIONS SHOWN ARE NOMINAL DIMENSIONS. IT IS THE RESPONSIBILITY OF THE ON-SITE CONTRACTOR OR ROMTEC UTILITIES CUSTOMER (NOT ROMTEC UTILITIES) TO VERIFY THE ACCURACY OF ANY CRITICAL DIMENSIONS OR ELEVATIONS PRIOR TO SETTING OR INSTALLING ANY EQUIPMENT.

VERIFY SCALE
 BAR IS ONE INCH ON ORIGINAL DRAWING
 1" = 1' IF NOT ONE INCH ON THIS SHEET, ADJUST SCALES ACCORDINGLY

DSN - KEVIN BOGAN
 DRN - KEVIN BOGAN
 CKD - KEVIN BOGAN
 DATE - 8-20-15

REVISION HISTORY

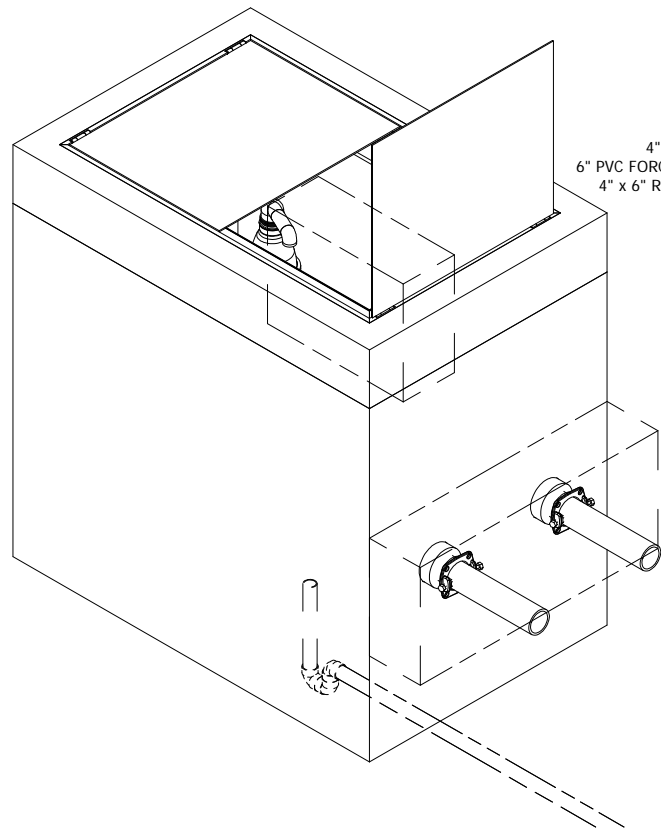
| REV | DESCRIPTION | DATE | APPROV |
|-----|----------------------|---------|--------|
| 1 | REVISED PER COMMENTS | 9-14-15 | AD |
| 0 | INITIAL DESIGN | 8-20-15 | KB |

CITY OF SHAFTER
 TULARE AVE.
 WET WELL ASSEMBLY

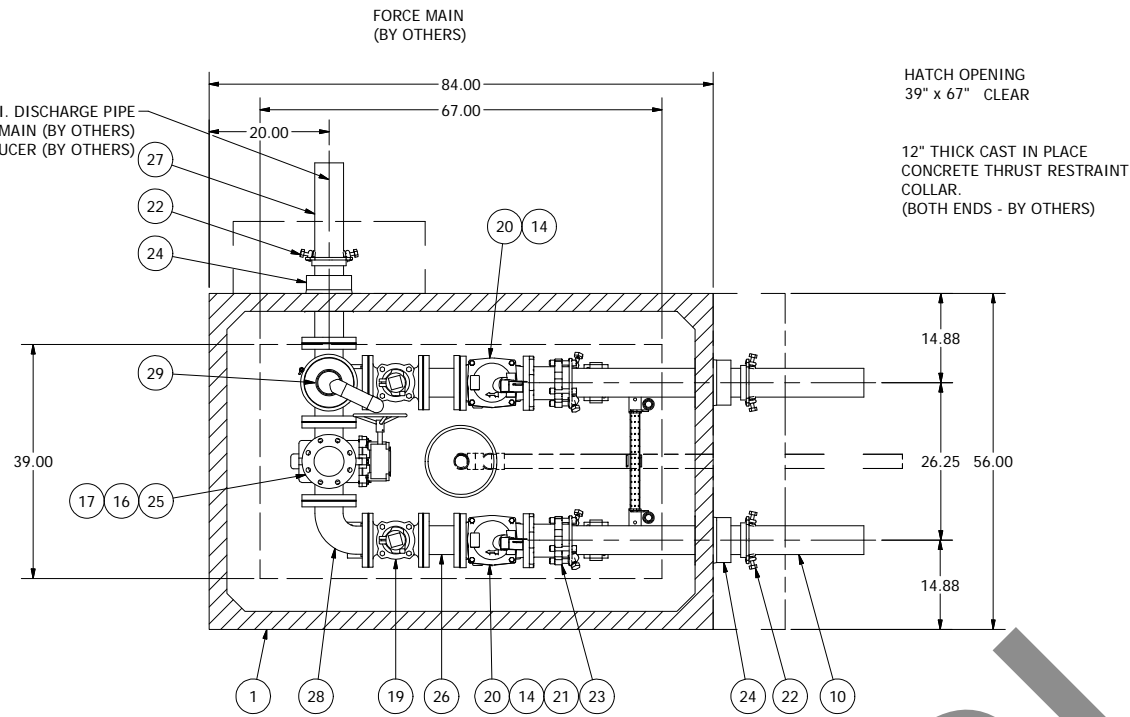
SHEET
 1 OF 2
 JOB NUMBER
 RMTC
 0000

ROMTEC UTILITIES
 18240 NORTH BANK ROAD
 ROSEBURG, OREGON 97470
 (541) 496-9678
 FAX (541) 496-0804

COMPONENT DRAWING



**577 VALVE VAULT
4" PIPING AND VALVES
W/ PUMPING PORT**

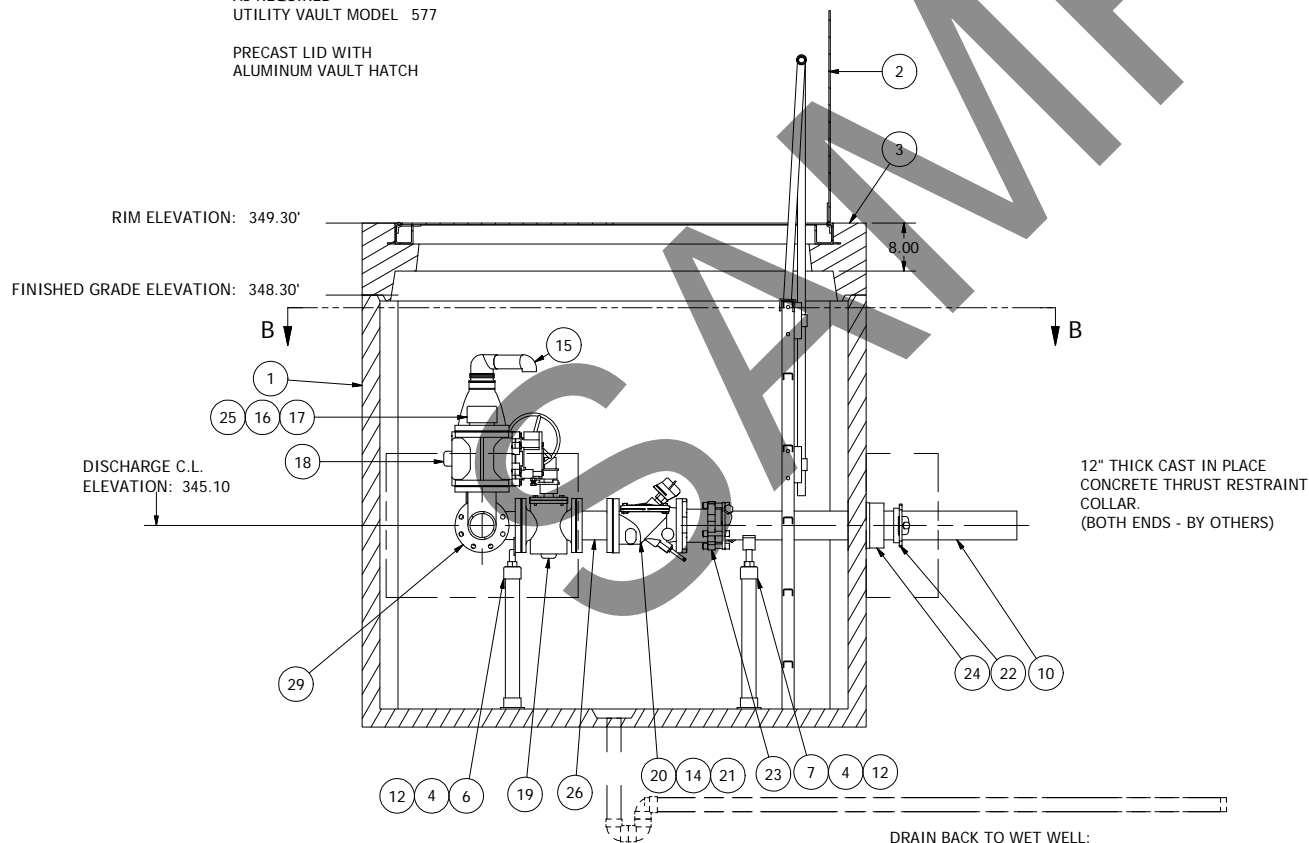


TOP VIEW
SECTION B-B
SCALE 1 / 16

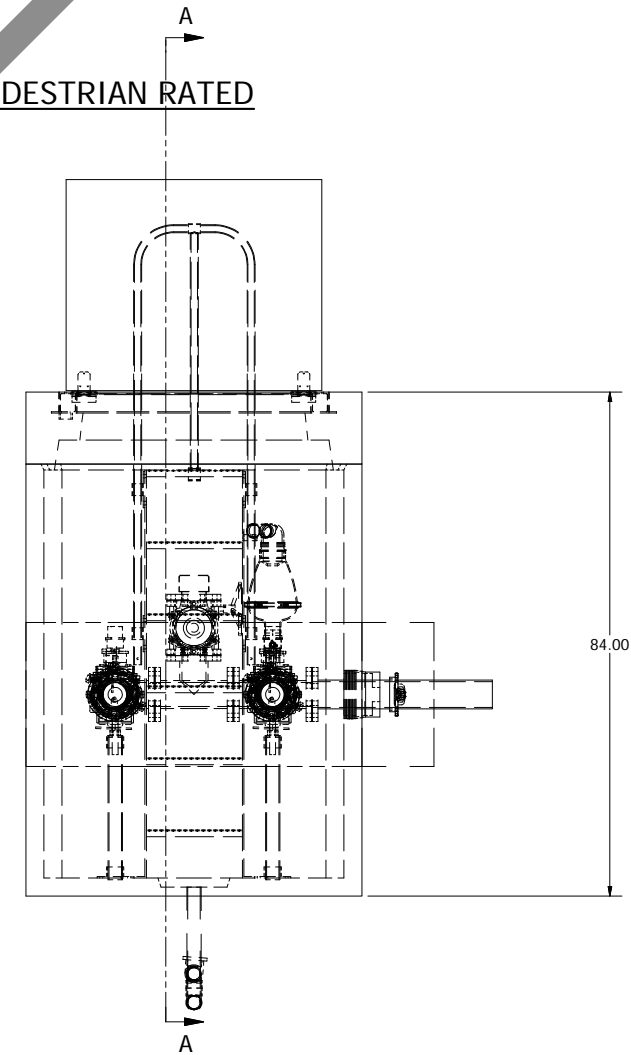
NOTE: VAULT TOP SLAB IS PEDESTRIAN RATED

PRECAST CONCRETE VAULT
WITH EXTENSION(S)
AS REQUIRED
UTILITY VAULT MODEL 577

PRECAST LID WITH
ALUMINUM VAULT HATCH



PROFILE VIEW
SECTION A-A
SCALE 1 / 16



INLET SIDE VIEW
SCALE 1 / 16

ALL MATERIALS SHOWN ON THIS SHEET WILL BE SUPPLIED BY ROMTEC UTILITIES AND DELIVERED TO THE SITE AFTER THE HOLE HAS BEEN EXCAVATED AND SHORED. THE CONTRACTOR SHALL SUPPLY A CRANE OF SUFFICIENT SIZE TO LOWER ALL THE CONCRETE PIECES INTO THE HOLE SAFELY. THE CONTRACTOR SHALL INSTALL THE WET WELL (AND VALVE VAULT AND METERING VAULT IF APPLICABLE). ROMTEC UTILITIES WILL PROVIDE A REPRESENTATIVE FOR TECHNICAL ASSISTANCE ON THE DAY OF INSTALLATION TO ANSWER ANY QUESTIONS THAT MAY ARISE. THE CONTRACTOR IS RESPONSIBLE FOR ALL PLUMBING AND ELECTRICAL CONNECTIONS AND INSTALLATION. ITEMS NOTED AS "BY OTHERS" WILL BE PROVIDED AND INSTALLED BY THE CONTRACTOR. ROMTEC UTILITIES WILL NOT INSTALL ANY OF THE COMPONENTS SHOWN ON THIS PAGE.

© 2015 ROMTEC INC. ALL RIGHTS RESERVED. THESE PLANS AND DRAWINGS MAY NOT BE REPRODUCED, ADAPTED, OR FURTHER DISTRIBUTED, AND NO COMPONENTS MAY BE CONSTRUCTED FROM THESE PLANS, WITHOUT WRITTEN PERMISSION OF ROMTEC, INC.

NOTE: ALL DIMENSIONS AND ELEVATIONS SHOWN ARE NOMINAL DIMENSIONS. IT IS THE RESPONSIBILITY OF THE ON-SITE CONTRACTOR OR ROMTEC UTILITIES CUSTOMER (NOT ROMTEC UTILITIES) TO VERIFY THE ACCURACY OF ANY CRITICAL DIMENSIONS OR ELEVATIONS PRIOR TO SETTING OR INSTALLING ANY EQUIPMENT.

VERIFY SCALE
BAR IS ONE INCH ON
ORIGINAL DRAWING
1"
0
IF NOT ONE INCH ON
THIS SHEET, ADJUST
SCALE ACCORDINGLY

DSN - KEVIN BOGAN
DRN - KEVIN BOGAN
CKD - KEVIN BOGAN
DATE - 8-20-15

REVISION HISTORY

| REV | DESCRIPTION | DATE | APPROV |
|-----|----------------------|---------|--------|
| 1 | REVISOR PER COMMENTS | 9-14-15 | AD |
| 0 | INITIAL DESIGN | 8-20-15 | KB |

ROMTEC UTILITIES
18240 NORTH BANK ROAD
ROSEBURG, OREGON 97470
(541) 496-9678
FAX (541) 496-0804

CITY OF SHAFTER
TULARE AVE.
VALVE VAULT ASSEMBLY

SHEET
2 OF 2

JOB NUMBER
RMTC
0000