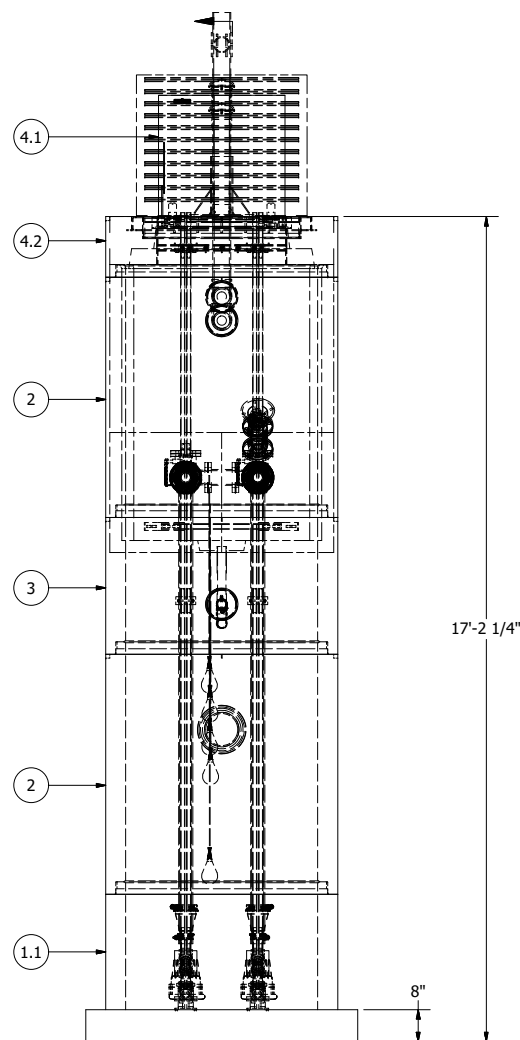
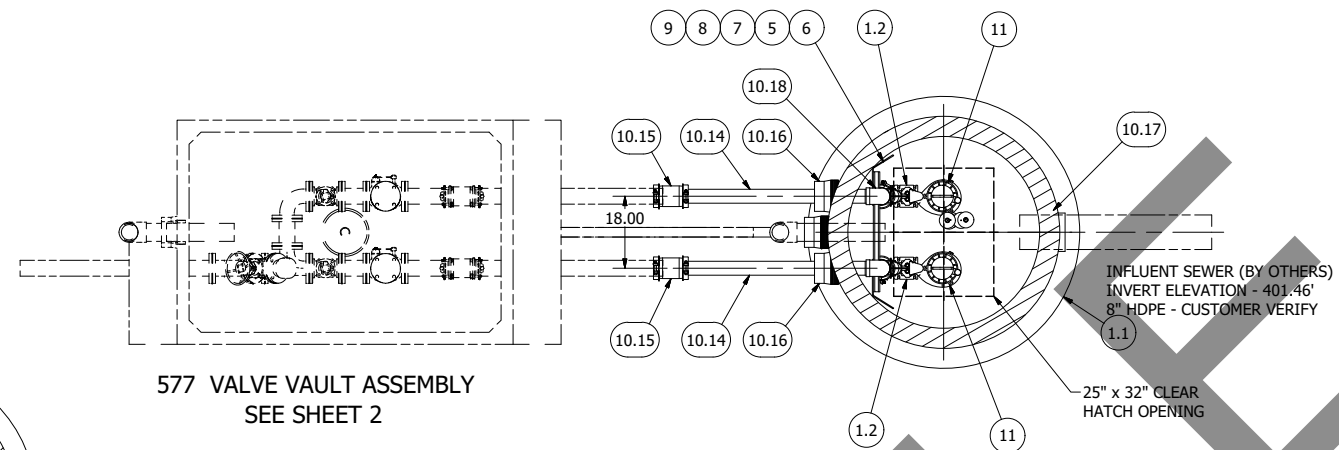


SECTION A-A
ANCHOR BOLT
LAYOUT



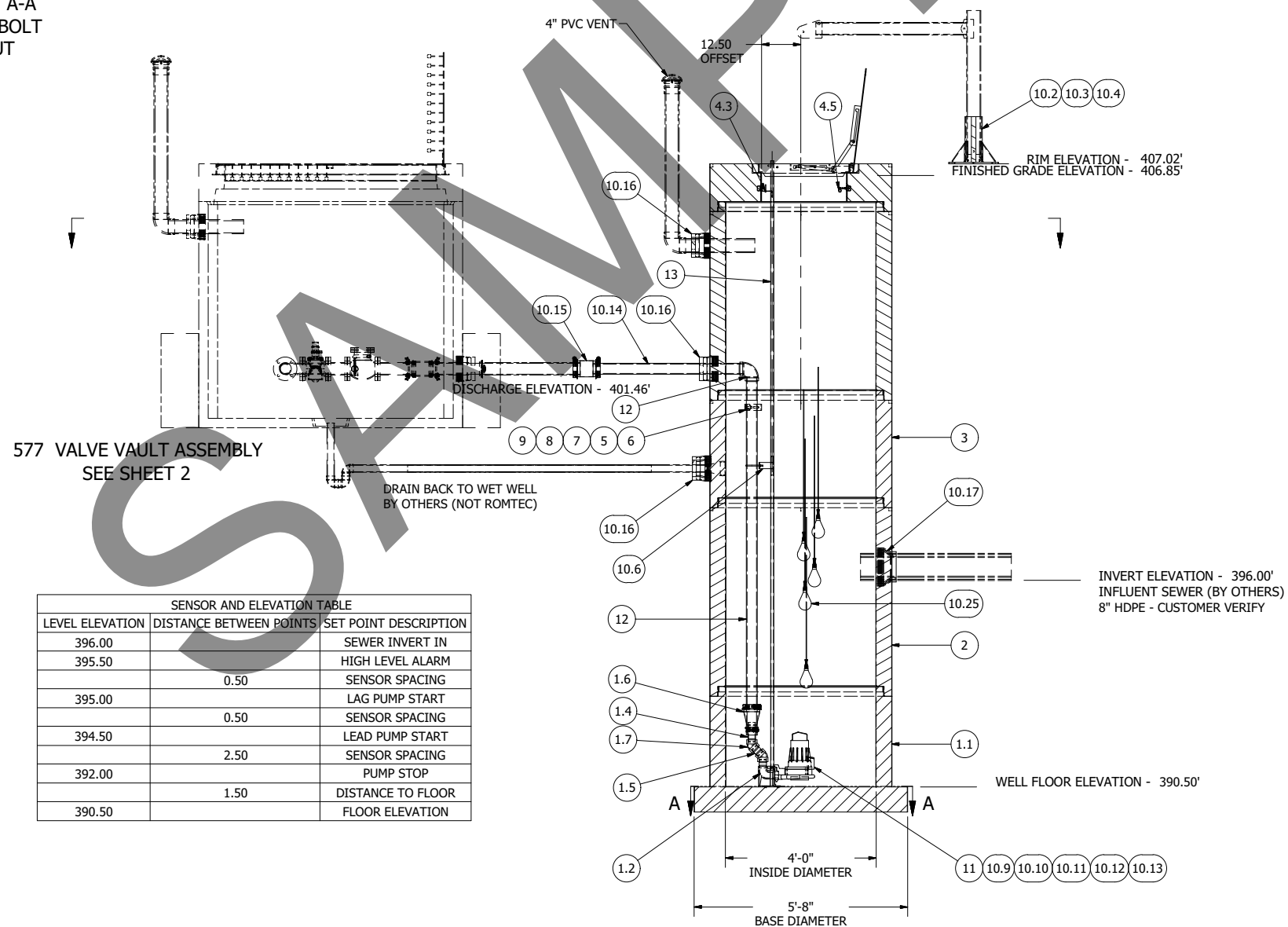
577 VALVE VAULT ASSEMBLY
SEE SHEET 2

SENSOR AND ELEVATION TABLE		
LEVEL ELEVATION	DISTANCE BETWEEN POINTS	SET POINT DESCRIPTION
396.00		SEWER INVERT IN
395.50	0.50	HIGH LEVEL ALARM SENSOR SPACING
395.00	0.50	LAG PUMP START SENSOR SPACING
394.50	2.50	LEAD PUMP START SENSOR SPACING
392.00		PUMP STOP
390.50	1.50	DISTANCE TO FLOOR FLOOR ELEVATION



577 VALVE VAULT ASSEMBLY
SEE SHEET 2

NOTE: WET WELL TOP SLAB IS H-20 OCCASIONAL TRAFFIC RATED



NOTE: ALL DIMENSIONS AND ELEVATIONS SHOWN ARE NOMINAL DIMENSIONS. IT IS THE RESPONSIBILITY OF THE ON-SITE CONTRACTOR OR ROMTEC UTILITIES CUSTOMER (NOT ROMTEC UTILITIES) TO VERIFY THE ACCURACY OF ANY CRITICAL DIMENSIONS OR ELEVATIONS PRIOR TO SETTING OR INSTALLING ANY EQUIPMENT.

**4' DIAMETER WET WELL
3\"/>**

ALL MATERIALS SHOWN ON THIS SHEET WILL BE SUPPLIED BY ROMTEC UTILITIES AND DELIVERED TO THE SITE AFTER THE HOLE HAS BEEN EXCAVATED AND SHORED. THE CONTRACTOR SHALL SUPPLY A CRANE OF SUFFICIENT SIZE TO LOWER ALL THE CONCRETE PIECES INTO THE HOLE SAFELY. THE CONTRACTOR SHALL INSTALL THE WET WELL (AND VALVE VAULT AND METERING VAULT IF APPLICABLE). ROMTEC UTILITIES WILL PROVIDE A REPRESENTATIVE FOR TECHNICAL ASSISTANCE ON THE DAY OF INSTALLATION TO ANSWER ANY QUESTIONS THAT MAY ARISE. THE CONTRACTOR IS RESPONSIBLE FOR ALL PLUMBING AND ELECTRICAL CONNECTIONS AND INSTALLATION. ITEMS NOTED AS "BY OTHERS" WILL BE PROVIDED AND INSTALLED BY THE CONTRACTOR. ROMTEC UTILITIES WILL NOT INSTALL ANY OF THE COMPONENTS SHOWN ON THIS PAGE.

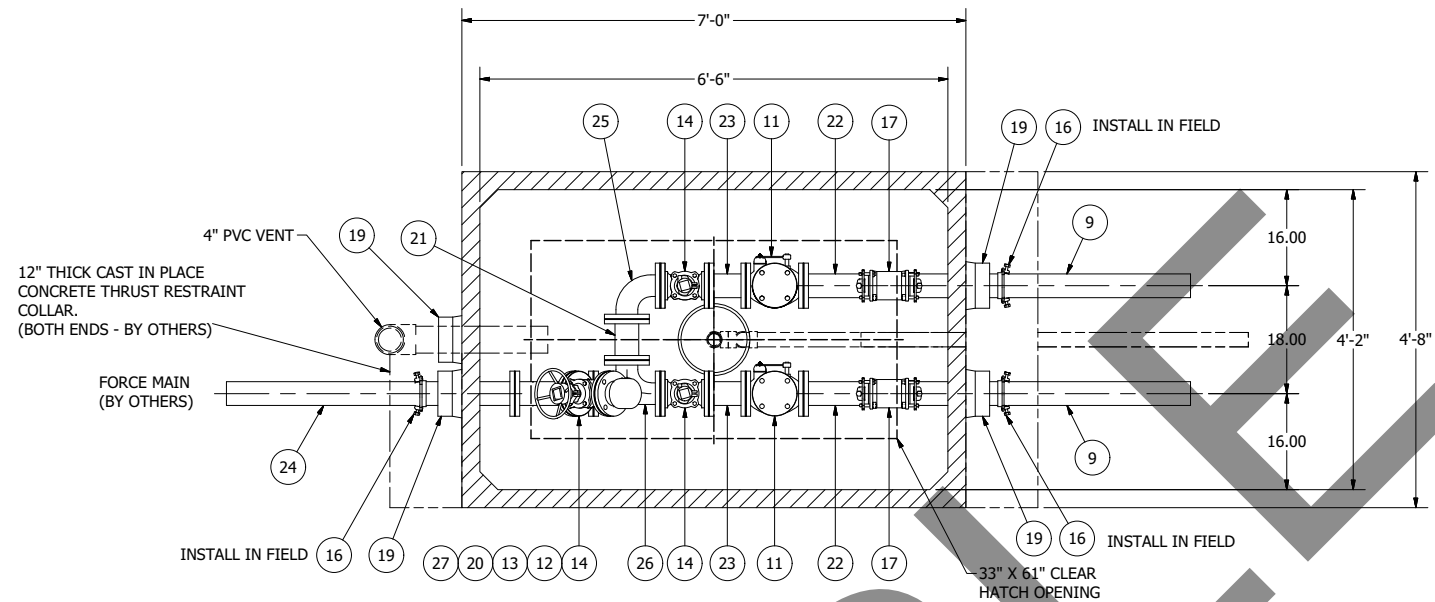
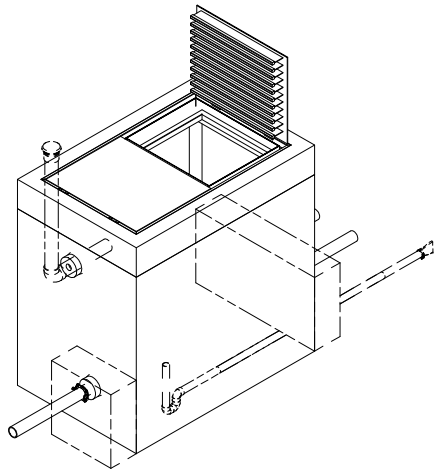
DRAWING GEOMETRY IS ACCURATE AND FIT TO THE SHEET. DO NOT SCALE THIS DRAWING.

REV	DESCRIPTION	DATE	APPROV
4	CHANGED FLOATS	2/1/12	AD
3	REVISED DISCHARGE ELBOW PIPING TO CLEAR GUIDE GALLS FOR PRODUCTION	1/25/12	AD
2	CHANGED INLET PIPE TO HDPE	1/16/12	AB
1	COMPONENT DRAWING	11/01/11	AM
			AM

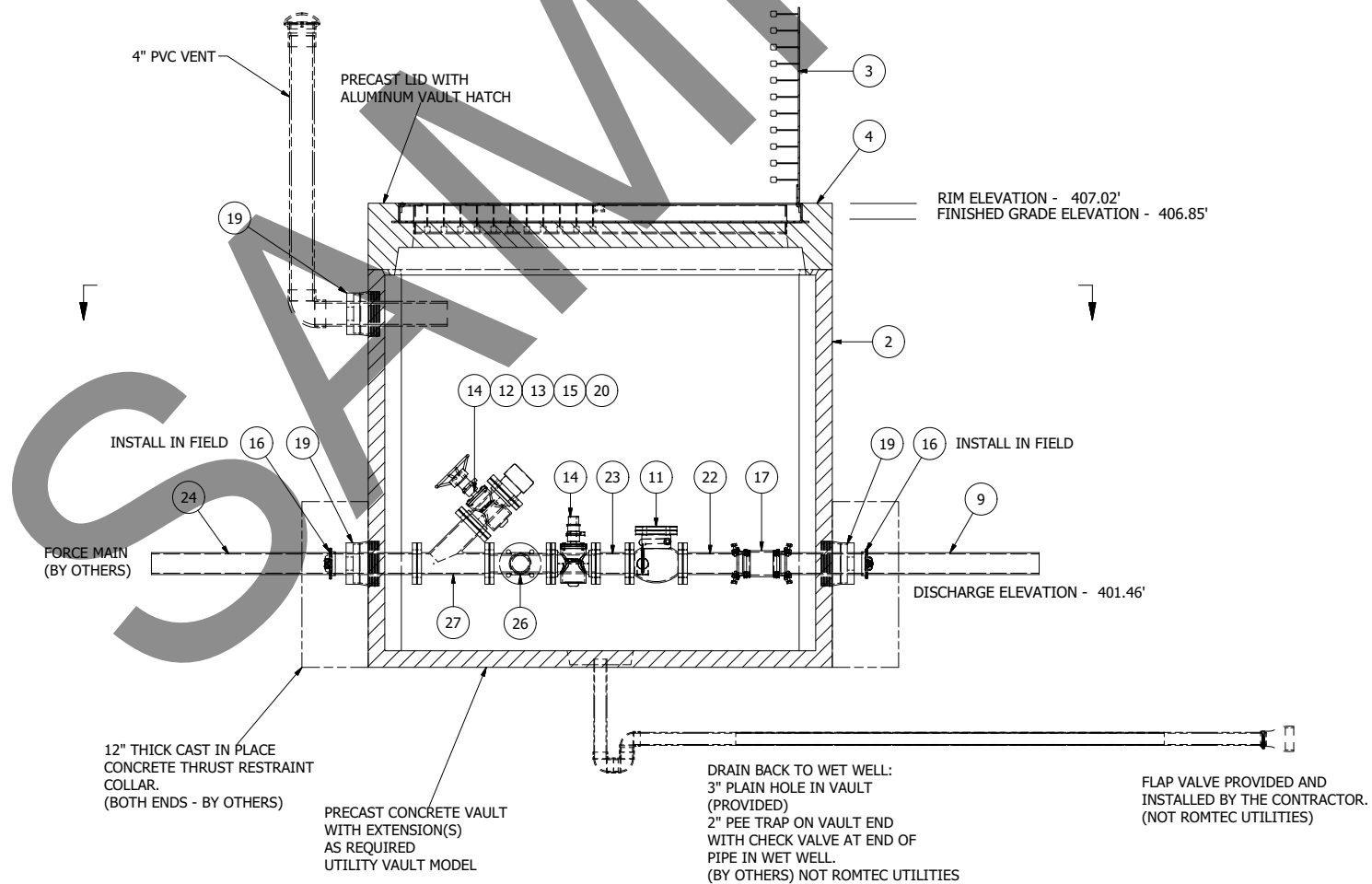
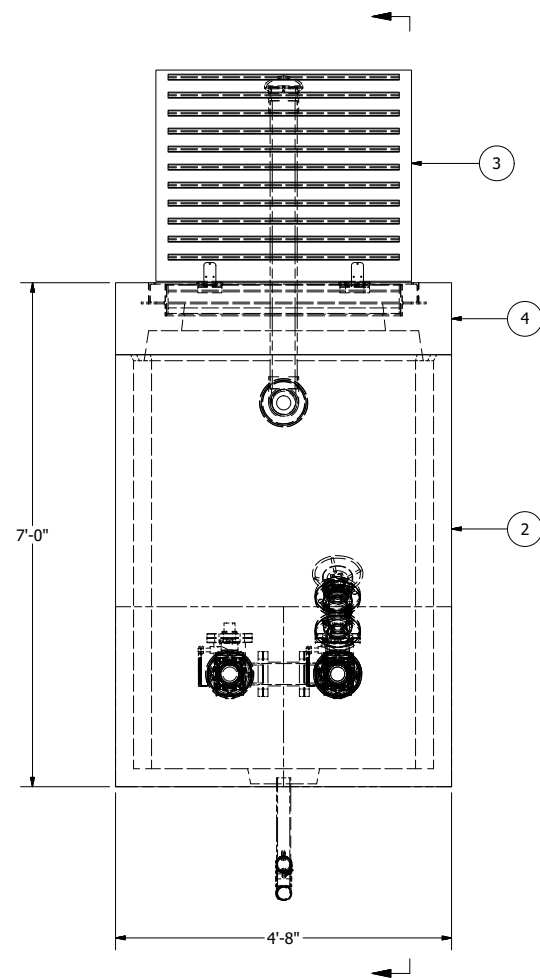
**COMPONENT
DRAWING**

ROMTEC UTILITIES
18240 NORTH BANK ROAD
ROSEBURG, OREGON 97470
(541) 496-9678
FAX (541) 496-0804

VC SUMMER UNIT #602
3" - 4' DIA WET WELL



NOTE: VAULT TOP SLAB IS H-20 OCCASIONAL RATED



NOTE: ALL DIMENSIONS AND ELEVATIONS SHOWN ARE NOMINAL DIMENSIONS. IT IS THE RESPONSIBILITY OF THE ON-SITE CONTRACTOR OR ROMTEC UTILITIES CUSTOMER (NOT ROMTEC UTILITIES) TO VERIFY THE ACCURACY OF ANY CRITICAL DIMENSIONS OR ELEVATIONS PRIOR TO SETTING OR INSTALLING ANY EQUIPMENT.

**577 VALVE VAULT
3" PIPING AND VALVES
WITH PUMPING PORT**

© 2011 ROMTEC INC. ALL RIGHTS RESERVED. THESE PLANS AND DRAWINGS MAY NOT BE REPRODUCED, ADAPTED, OR FURTHER DISTRIBUTED, AND NO COMPONENTS MAY BE CONSTRUCTED FROM THESE PLANS, WITHOUT WRITTEN PERMISSION OF ROMTEC, INC.

DRAWING GEOMETRY
IS ACCURATE AND
CREATED AT 1:1 AND
FIT TO THE SHEET.
DO NOT SCALE
THIS DRAWING

REV	DESCRIPTION	DATE	APPROV
2	UPDATED FOR PRODUCTION LAUNCH	1/18/12	AD
1	COMPONENT DRAWING	11/01/11	AM
REV			

**COMPONENT
DRAWING**

**ROMTEC
UTILITIES**
18240 NORTH BANK ROAD
ROSEBURG, OREGON 97470
(541) 496-9678
FAX (541) 496-0804

SHAW NUCLEAR
**VC SUMMER UNIT #602
3" - 577 VALVE VAULT**

SHEET
2 OF 2
JOB NUMBER
**RMTC
0000**