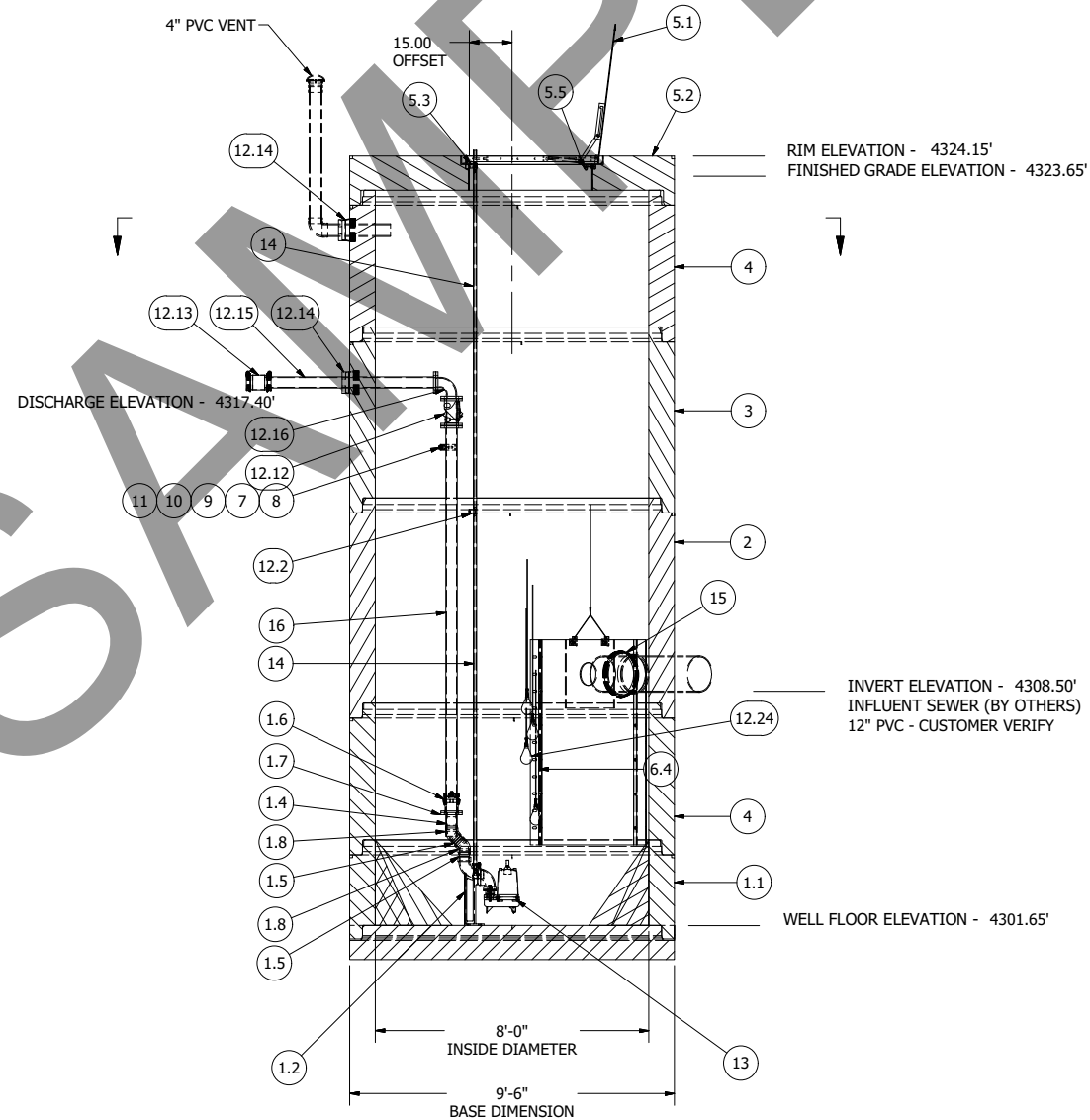
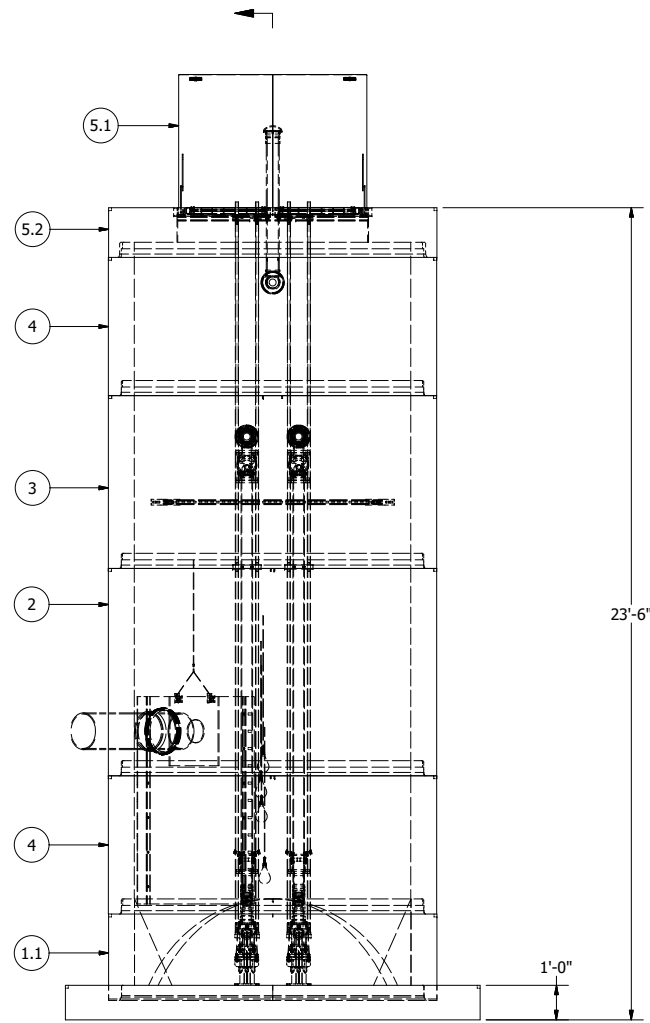


NOTE: WET WELL TOP SLAB IS PEDESTRIAN RATED



NOTE: ALL DIMENSIONS AND ELEVATIONS SHOWN ARE NOMINAL DIMENSIONS. IT IS THE RESPONSIBILITY OF THE ON-SITE CONTRACTOR OR ROMTEC UTILITIES CUSTOMER (NOT ROMTEC UTILITIES) TO VERIFY THE ACCURACY OF ANY CRITICAL DIMENSIONS OR ELEVATIONS PRIOR TO SETTING OR INSTALLING ANY EQUIPMENT.

ALL MATERIALS SHOWN ON THIS SHEET WILL BE SUPPLIED BY ROMTEC UTILITIES AND DELIVERED TO THE SITE AFTER THE HOLE HAS BEEN EXCAVATED AND SHORED. THE CONTRACTOR SHALL SUPPLY A CRANE OF SUFFICIENT SIZE TO LOWER ALL THE CONCRETE PIECES INTO THE HOLE SAFELY. THE CONTRACTOR SHALL INSTALL THE WET WELL (AND VALVE VAULT AND METERING VAULT IF APPLICABLE). ROMTEC UTILITIES WILL PROVIDE A REPRESENTATIVE FOR TECHNICAL ASSISTANCE ON THE DAY OF INSTALLATION TO ANSWER ANY QUESTIONS THAT MAY ARISE. THE CONTRACTOR IS RESPONSIBLE FOR ALL PLUMBING AND ELECTRICAL CONNECTIONS AND INSTALLATION. ITEMS NOTED AS "BY OTHERS" WILL BE PROVIDED AND INSTALLED BY THE CONTRACTOR. ROMTEC UTILITIES WILL NOT INSTALL ANY OF THE COMPONENTS SHOWN ON THIS PAGE.

© 2011 ROMTEC INC. ALL RIGHTS RESERVED. THESE PLANS AND DRAWINGS MAY NOT BE REPRODUCED, ADAPTED, OR FURTHER DISTRIBUTED, AND NO COMPONENTS MAY BE CONSTRUCTED FROM THESE PLANS, WITHOUT WRITTEN PERMISSION OF ROMTEC, INC.

DRAWING GEOMETRY IS ACCURATE AND CREATED AT 1:1 AND DO NOT SCALE THIS DRAWING

REV	DESCRIPTION	DATE	APPROV
1	COMPONENT DRAWING	06/29/11	AM
2	REMOVED EXTRA INLET PIPE	7/7/11	AD
3	UPDATED PER CURRENT SITE PLAN	9/21/11	AD
4	UPDATE FOR PRODUCTION	2/15/12	AD

COMPONENT DRAWING

**ROMTEC UTILITIES**  
 18240 NORTH BANK ROAD  
 ROSEBURG, OREGON 97470  
 (541) 496-9678  
 FAX (541) 496-0804

WILHITE SEWER EXTENSION  
 3" - 8" DIA WET WELL

SHEET 1 OF 1

JOB NUMBER  
 RMTC 0000