

# 1.04 DESIGN CRITERIA FORM

Romtec Utilities has designed this Scope of Supply and Design Submittal based on the following information provided by:

Date: 1/22/2018  
 Project Name: Kennedy Farms PUD  
 Information here in provided by: Sterling Design  
 Name: \_\_\_\_\_  
 Email Address: \_\_\_\_\_  
 Telephone: \_\_\_\_\_

## DESIGN CRITERIA

Project Site Address: Ridgefield, WA  
 CAD site plan available at this time? 

<u>Yes</u>	<u>Yes</u>	<u>No</u>	<u>N/A</u>
------------	------------	-----------	------------

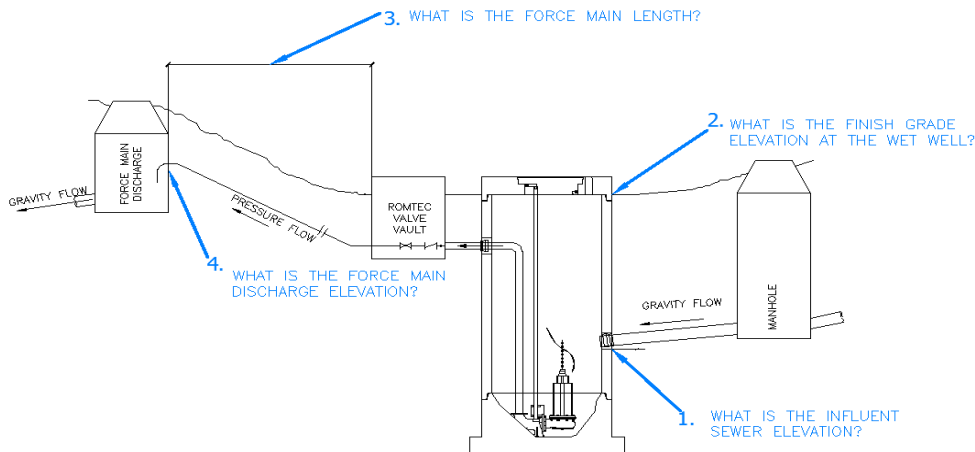
  
 Final Project Owner and/or Operator: Clark Regional Wastewater District  
 Governing Sewer or Water Authority: Clark Regional Wastewater District  
 Does Authority have a lift station standard? 

<u>Yes</u>	<u>Yes</u>	<u>No</u>	<u>N/A</u>
------------	------------	-----------	------------

  
 Does this project require "Buy America" materials? 

<u>No</u>	<u>Yes</u>	<u>No</u>	<u>N/A</u>
-----------	------------	-----------	------------

  
 Source of Water: Residential Development  
 Water Type: Wastewater



**Note: The drawing above represents elevations. It does not reflect the design of the lift station.**

Peak design inflow (max flow to lift station): 165 gpm Initial Phase  
 \_\_\_\_\_ gpm (**GREATER THAN PEAK INITIAL PHASE INFLOW**)  
 Pumping Rate: 258  
**1.** Influent sewer elevation: 228.25 ft.  
**2.** Finish grade elevation at wet well: 241.8 ft.  
**3.** Force main length: 4900 ft.  
**4.** Force main discharge elevation: 279.37 ft.  
 Force main diameter: 6 in. inside dia.  
 Force main material (PVC, DI, etc.): PVC C900 DR18  
 Force Main is: 

<u>New</u>	<u>New</u>	<u>Existing</u>
------------	------------	-----------------

  
 Force Main Discharge (manhole, pressure force main, etc.) Manhole  
 Standby generator: 

<u>Permanent</u>	<u>Permanent</u>	<u>Portable</u>	<u>N/A</u>
------------------	------------------	-----------------	------------

  
 Generator fuel: 

<u>Diesel</u>	<u>Diesel</u>	<u>Natural Gas</u>
---------------	---------------	--------------------

  
 Power Supply: 

<u>480V</u>	<u>480V</u>	<u>240V</u>	<u>208V</u>
-------------	-------------	-------------	-------------

  
 Power Supply: 

<u>Three-Phase</u>	<u>Three-Phase</u>	<u>Single-phase</u>
--------------------	--------------------	---------------------

  
 Is the lift station a classified space? 

<u>Yes</u>	<u>Yes</u>	<u>No</u>
------------	------------	-----------