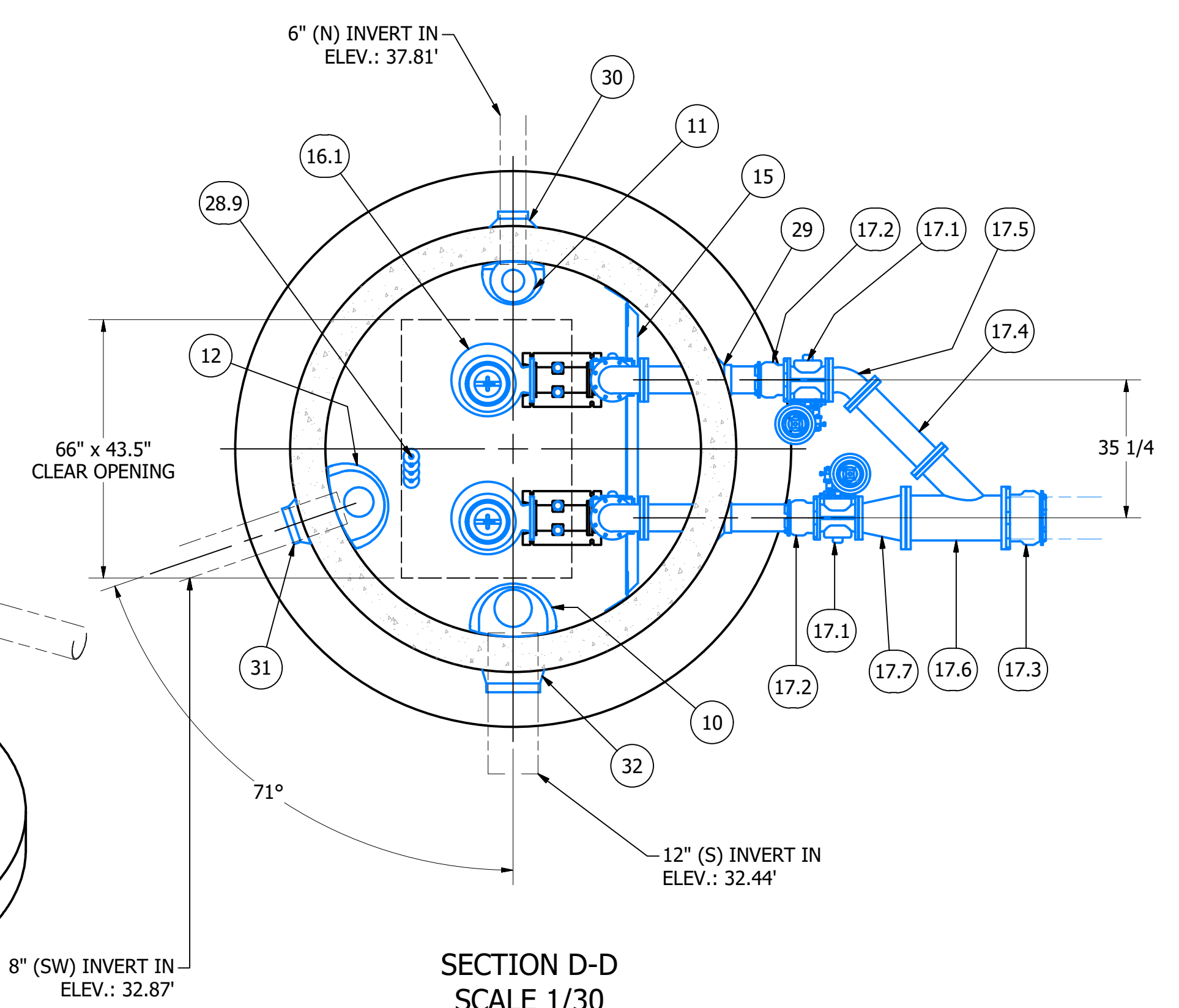
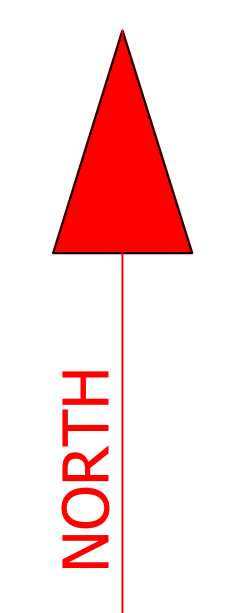


ISO VIEW
SCALE 1 / 30

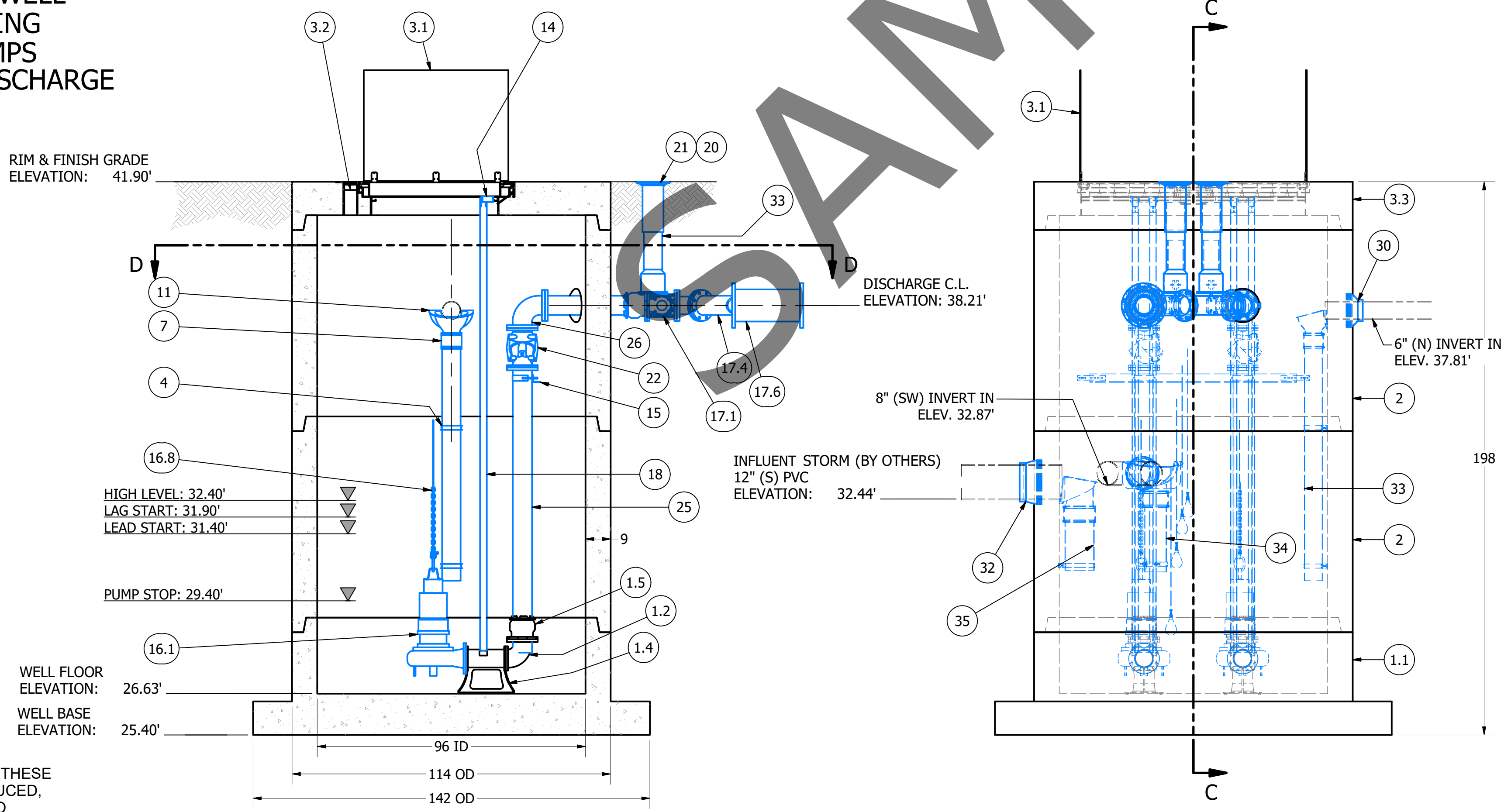


SECTION D-D
SCALE 1/30



**NOTE: TOP SLAB AND HATCH ARE
H-20 OCCASIONAL TRAFFIC RATED**

**8' DIAMETER WET WELL
6" DISCHARGE PIPING
DUPLEX EBARA PUMPS
6" VALVING, 10" DISCHARGE**



SECTION C-C
SCALE 1/30

NOTE:
CONDUIT TO CONTROL PANEL (BY OTHERS)
MINIMUM:
(2) FOR POWER
(1) FOR LEVEL SENSING

NOTE: CONTRACTOR TO SEAL ALL
CONCRETE JOINTS AND PIPE
PENETRATIONS WITH NON-SHRINK GROUT

ALL MATERIALS SHOWN ON THIS SHEET WILL BE
SUPPLIED BY ROMTEC UTILITIES AND DELIVERED
TO THE SITE AFTER THE HOLE HAS BEEN
EXCAVATED AND SHORED. THE CONTRACTOR
SHALL SUPPLY A CRANE OF SUFFICIENT SIZE TO
LOWER ALL THE CONCRETE PIECES INTO THE
HOLE SAFELY. THE CONTRACTOR SHALL INSTALL
THE WET WELL (AND VALVE VAULT AND METER
VAULT IF APPLICABLE). ROMTEC UTILITIES WILL
PROVIDE A REPRESENTATIVE FOR TECHNICAL
ASSISTANCE ON THE DAY OF INSTALLATION TO
ANSWER ANY QUESTIONS THAT MAY ARISE. THE
CONTRACTOR IS RESPONSIBLE FOR ALL
PLUMBING AND ELECTRICAL CONNECTIONS AND
INSTALLATION. ITEMS NOTED AS "BY OTHERS"
WILL BE PROVIDED AND INSTALLED BY THE
CONTRACTOR. ROMTEC UTILITIES WILL NOT
INSTALL ANY OF THE COMPONENTS SHOWN ON
THIS PAGE.

© 2018 ROMTEC INC. ALL RIGHTS RESERVED. THESE
PLANS AND DRAWINGS MAY NOT BE REPRODUCED,
ADAPTED, OR FURTHER DISTRIBUTED, AND NO
COMPONENTS MAY BE CONSTRUCTED FROM THESE
PLANS, WITHOUT WRITTEN PERMISSION OF ROMTEC, INC.

FOR PRODUCTION

NOTE: ALL DIMENSIONS AND ELEVATIONS SHOWN
ARE NOMINAL DIMENSIONS. IT IS THE RESPONSIBILITY
OF THE ON-SITE CONTRACTOR OR ROMTEC UTILITIES
CUSTOMER (NOT ROMTEC UTILITIES) TO VERIFY THE
ACCURACY OF ANY CRITICAL DIMENSIONS OR ELEVATIONS
PRIOR TO SETTING OR INSTALLING ANY EQUIPMENT.

REV	DATE	DESCRIPTION	BY
3	3/29/2019	CABLE GRIP SIZE	KB
2	2/27/2019	AS BUILT, ADJUST LEVEL SETTINGS	KB
1	12/3/2018	UPDATED FOR PRODUCTION LAUNCH	AD
1	11-6-18	NEW ELEVATIONS AND INLETS, PER NEW PLANS	AD

VERIFY SCALE	DATE
0 1"	8-1-18

DSN: KEVIN BOGAN
DRN: KEVIN BOGAN
CKD:

ROMTEC UTILITIES
18240 NORTH BANK ROAD
ROSEBURG, OREGON 97470
PHONE: (541) 496-9678
WWW.ROMTECUTILITIES.COM

ARMY DEPOT PARK
SACRAMENTO STATE UNIVERSITY
WET WELL ASSEMBLY
COMPONENT DRAWING

MECHANICAL SHEET
1 OF 3