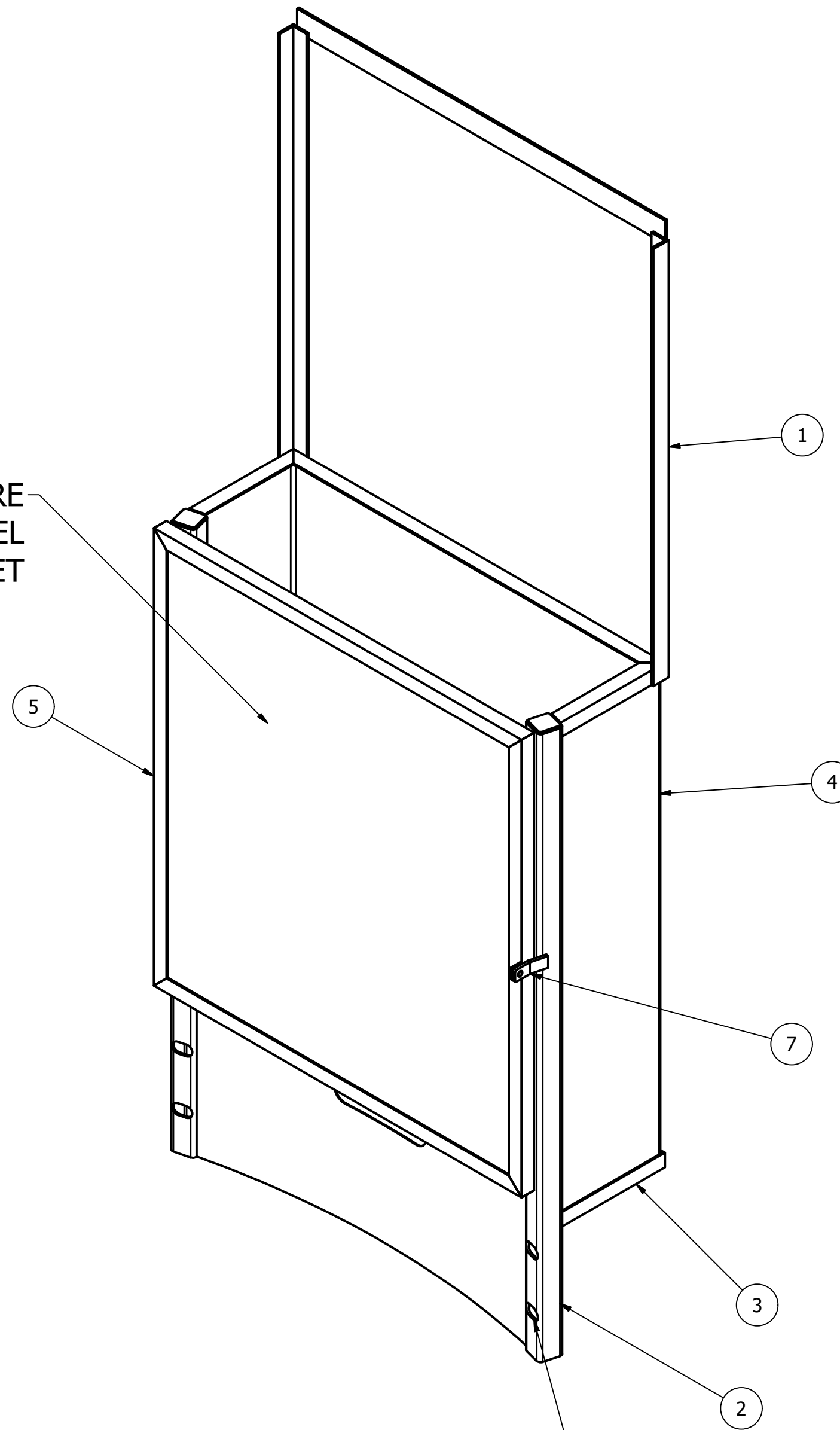


ALL 4 SIDES ARE  
STAINLESS STEEL  
PERFORATED SHEET



INSTALL SS SPACERS WHEN MOUNTING TO FILL THE  
GAP BETWEEN THE STAND AND THE TOP SLAB.

PART NUMBER 13-DS3636SS  
304 STAINLESS STEEL  
DISCONNECT PANEL STAND

VERIFY SCALE BAR IS ONE INCH ON ORIGINAL DRAWING	1"
IF NOT ONE INCH ON SCALE, ACCORDINGLY	
DSN - AD	
DRN - AD	
CKD - AD	
DATE - 1-11-18	
REV	DESCRIPTION
1	DATE
	APPROV

**ROMTEC UTILITIES**  
18240 NORTH BANK ROAD  
ROSEBURG, OREGON 97470  
(541) 496-9678  
FAX (541) 496-0804

DISCONNECT PANEL  
36" X 36" X 12" - 8FT WW